

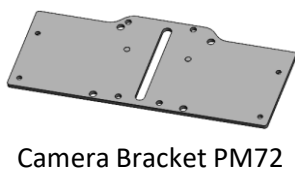
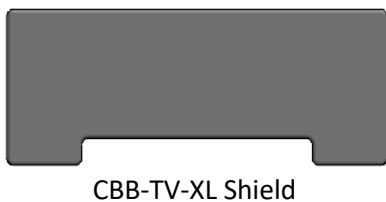
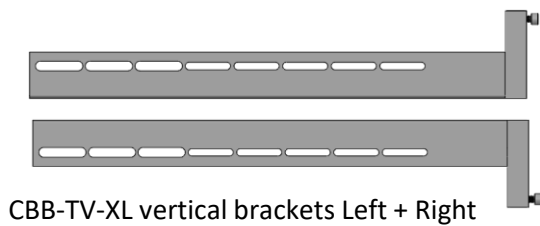
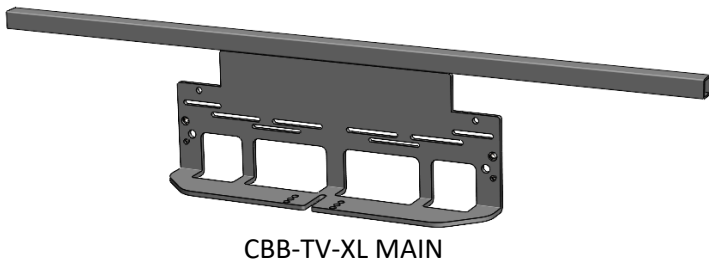
CBB-TV-XL Bracket

Thank you for purchasing AVFI's CBB-TV-XL camera bracket. This product is designed to have several mounting options. Confirm all hardware parts are included before you begin assembly. Read these instructions start to finish before beginning installation.

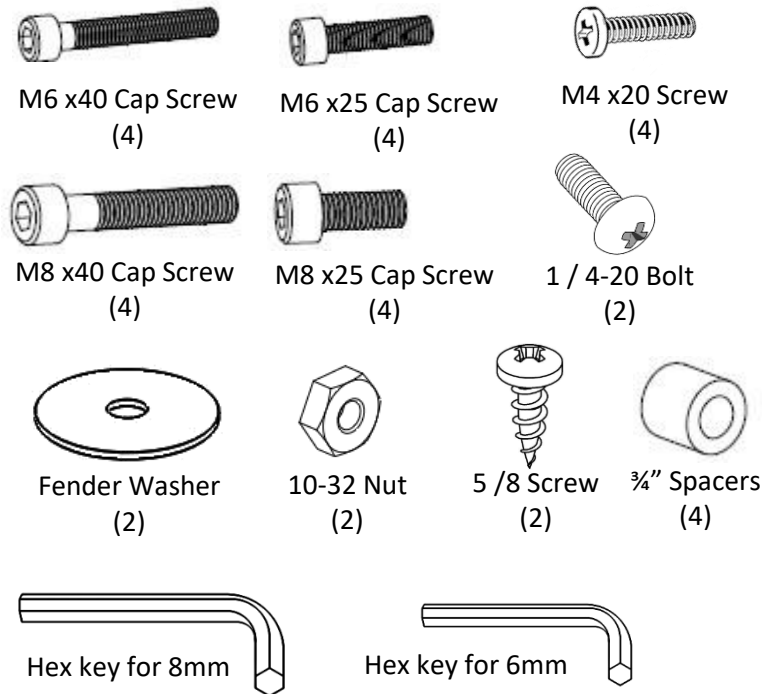
Note: If you cannot understand these instructions or are concerned about safety of the installation contact a qualified contractor or contact AVFI at 1-866-405-0655

Compatible with:
 Cisco: Room-Bar, Room ,Quad Cameras, Precision 60
 Crestron: UC-SB1-CAM
 Poly: Most bars and cameras
 Yealink: MVC860
 Biamp: Parle VBC2500
 Most speaker bar cameras
 Most PTZ cameras with 1 / 4 -20 attachment.

Supplied Parts

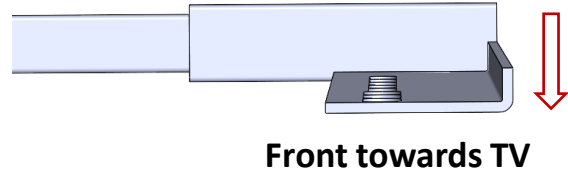
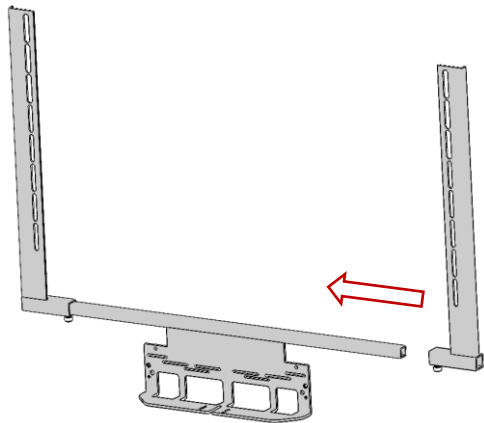


Supplied hardware bag: CBB-TV-X

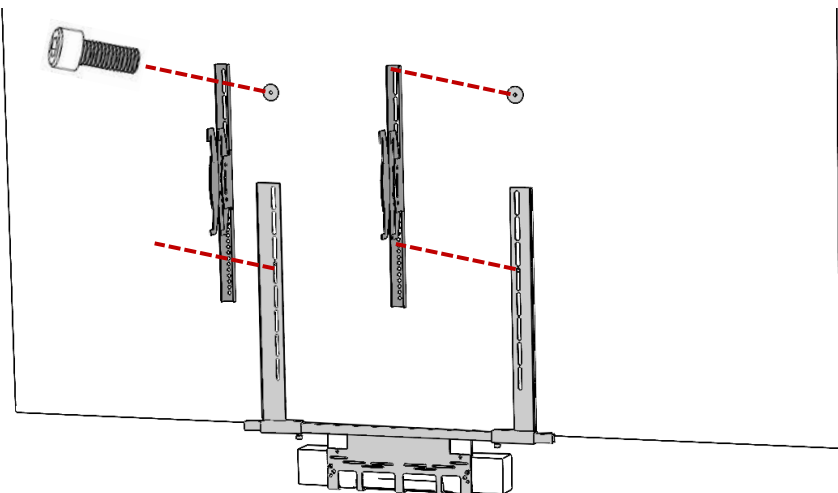
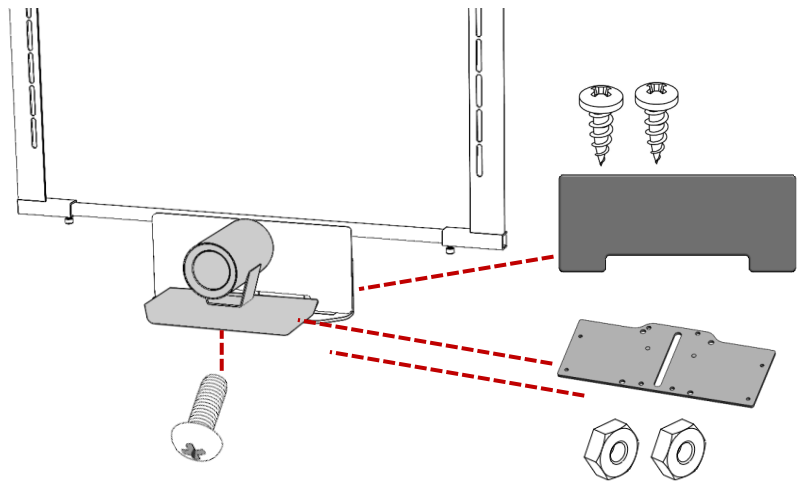
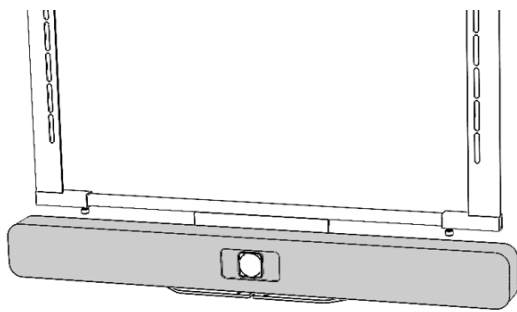


CBB-TV-XL TV mounting

1 Assemble bracket and verticals. Do not tighten bolts.



2 Attach Speaker/Camera.
Using your cameras included wall mounting hardware or 1 / 4 -20 bolt.
Attach to bracket. Attachment hardware will vary based on type.

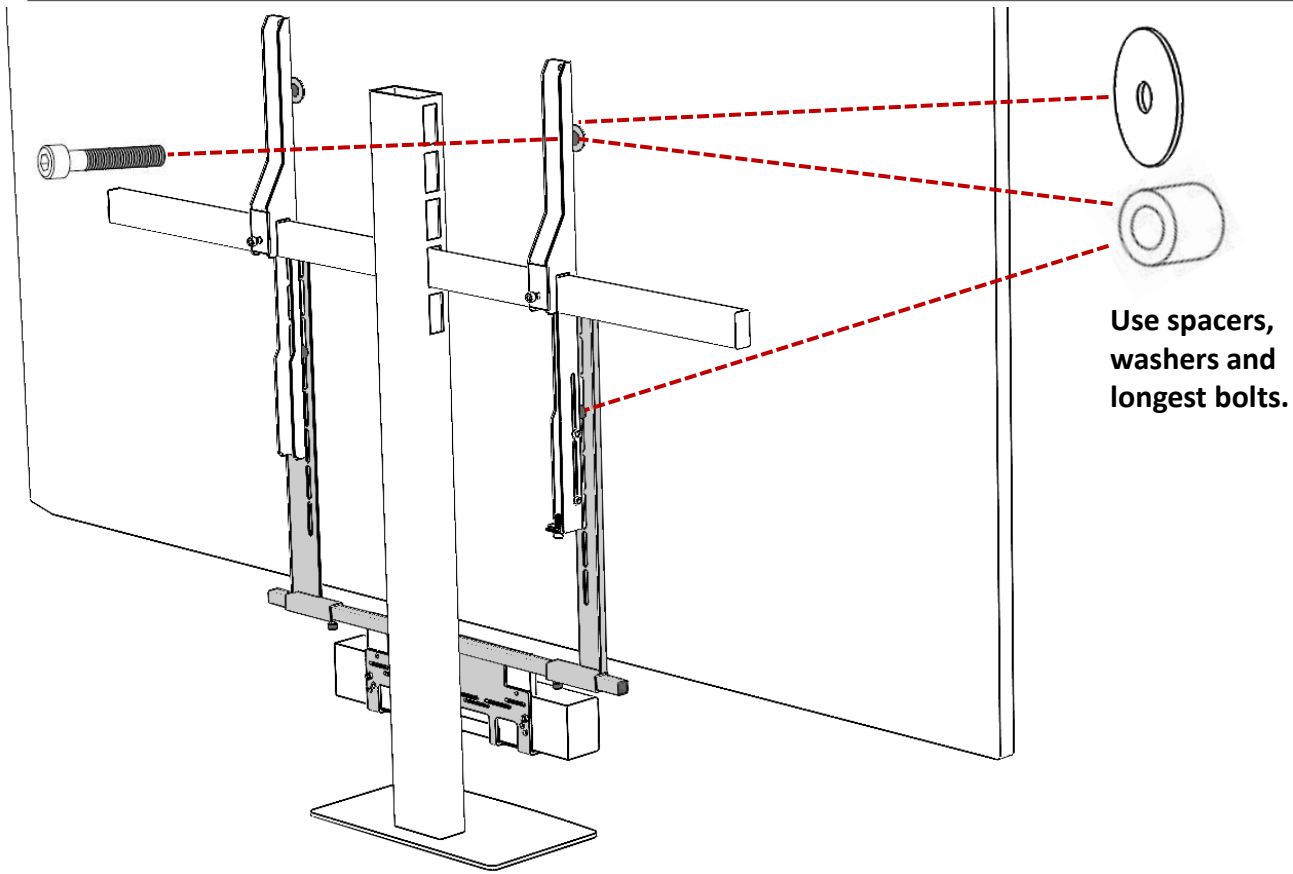


3 VESA mount. Up to 800x400mm
Attach TV brackets for wall mount.
Use Fender washers at top.



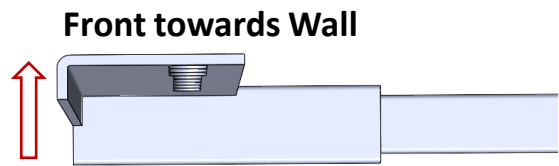
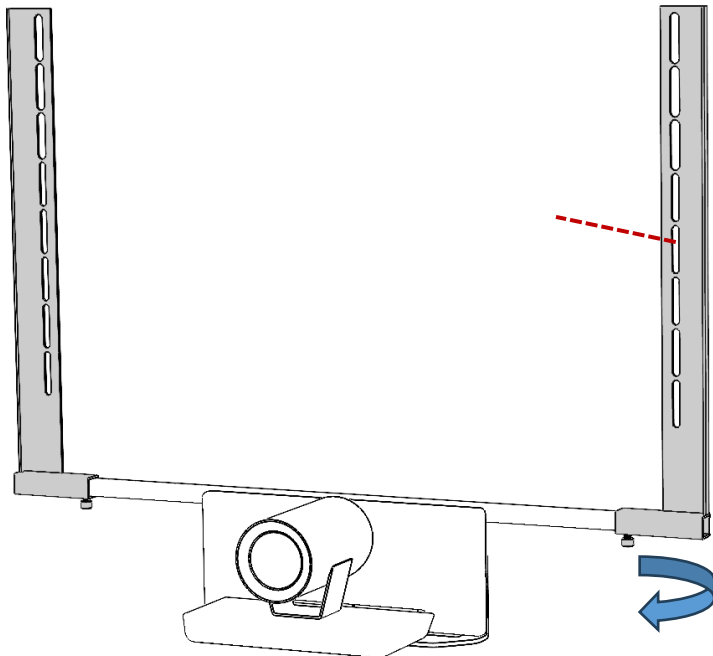
4 Center camera on tv and tighten side bolts.

CBB-TV-XL PM2 mounting



CBB-TV-XL Wall mounting

1 Reverse brackets to face wall.



2 Attach to wall (hardware not included)