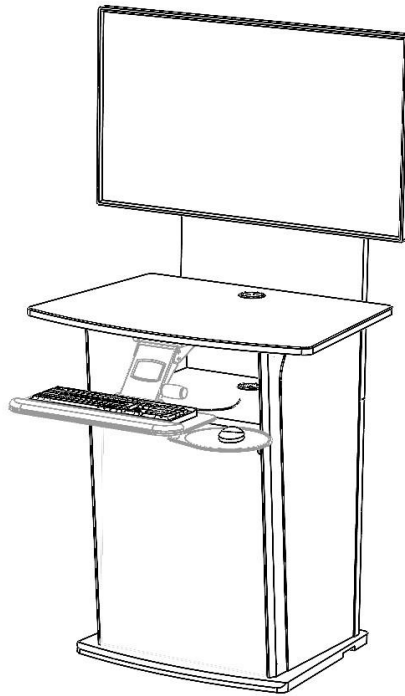


KS90 Information Kiosk

Assembly Instructions.



Sections

Instructions Summary:

1. Fasteners.
2. Hardware.
3. Assembly.

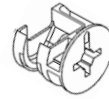
KS90 Information Kiosk

1 Fasteners Included:

- X58 Metal Dowel Pins
- X58 15mm Cams
- X3 Wooden Dowels
- X3 20mm Threaded Insert
- X8 13mm Threaded Inserts
- X11 1/4 20 Hex Bolts
- X12 5/8 Pan Head Screw



1/4-20
Bolts



15mm
cam



Metal
Dowel
Pins

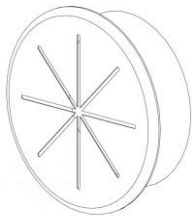


Wood
Dowel

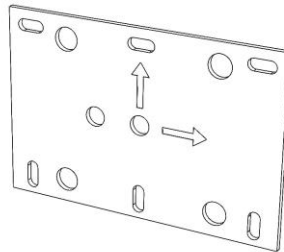


5/8" Pan
Head
Screw

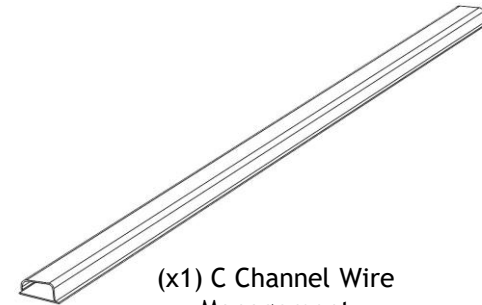
2 Hardware:



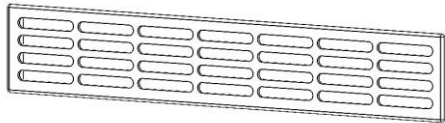
(x6) 2.375 Grommet



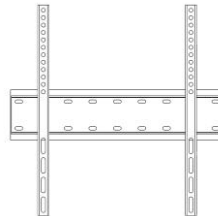
(x2) Mending Plate



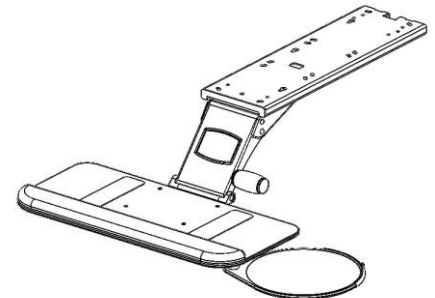
(x1) C Channel Wire
Management



(x2) Vent



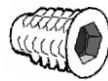
(x1) WM-3255



(x1) Keyboard Tray (if
applicable)

KS90 Information Kiosk

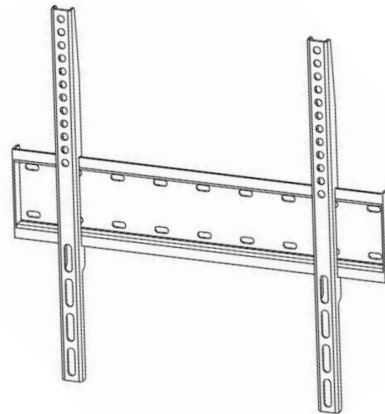
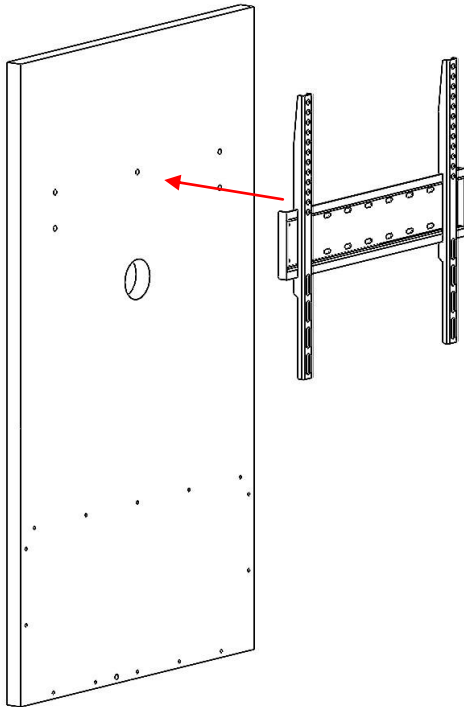
3 Step 1: Attach WM-3255 to the top of the loose panel



20mm
Threaded
Insert

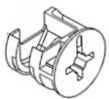


1/4-20
Bolts



WM-3255

Step 2: Attach panel to body



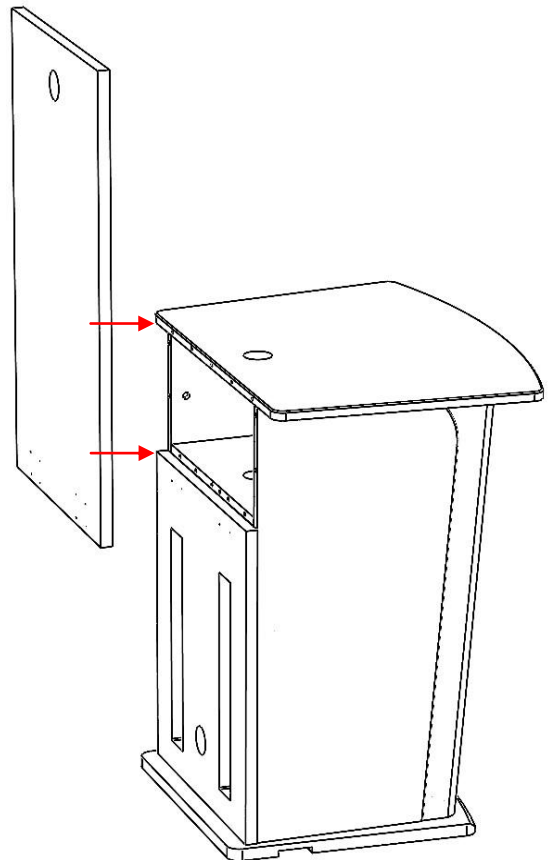
15mm
cam



Metal
Dowel
Pins



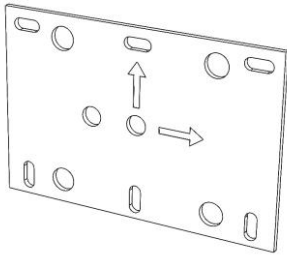
Wood
Dowel



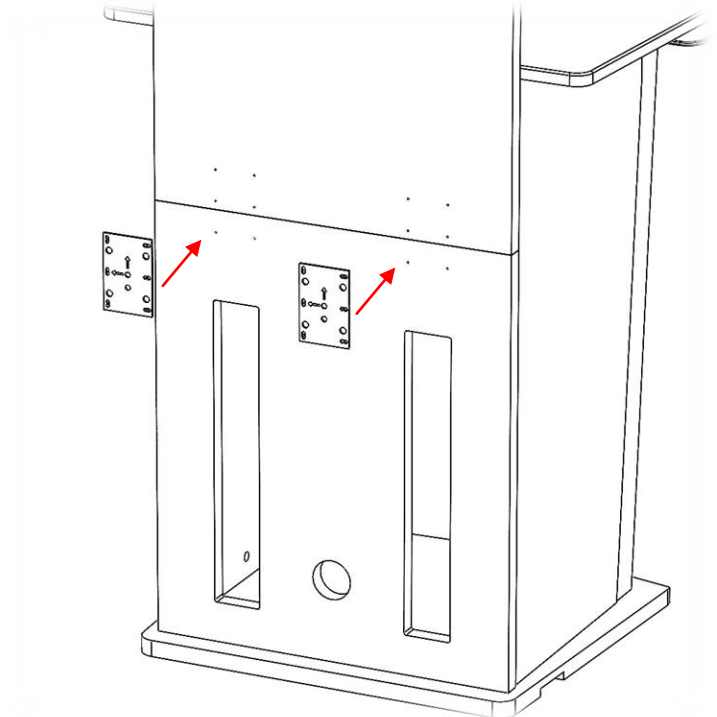
KS90 Information Kiosk

3

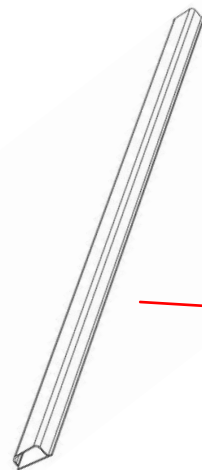
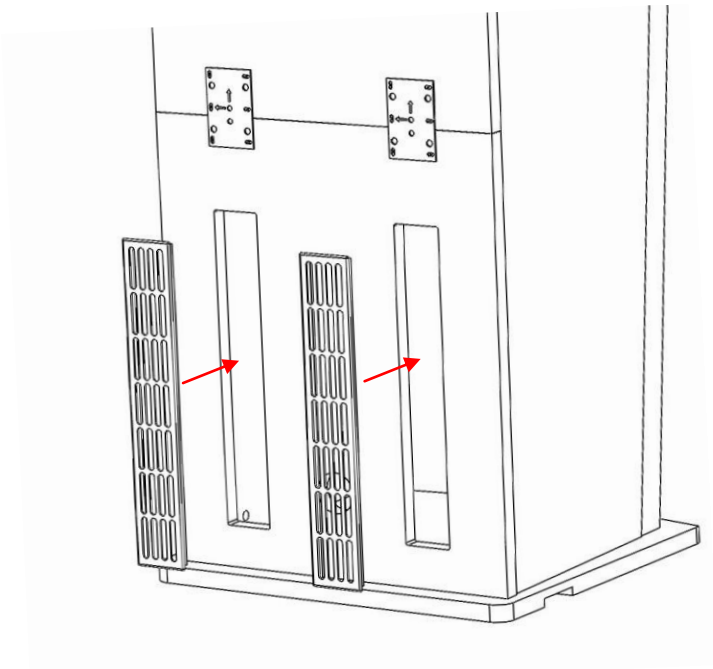
Step 3: Attach mending plates to the back of the body



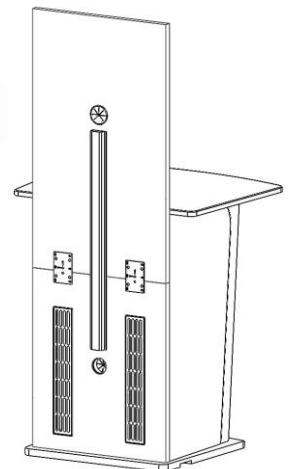
5/8" Pan
Head
Screw



Step 4: Place vents & C Channel to the back of the body



(x1) C Channel Wire
Management



KS90 Information Kiosk

3 Step 5: Mount any electronics

