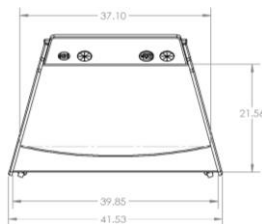
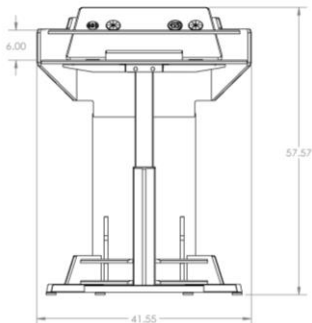
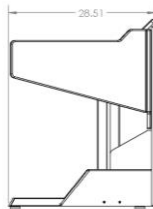
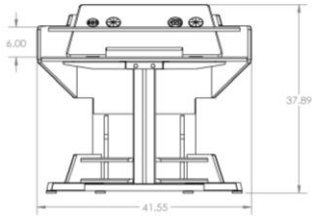


LEL023 Height Adjustable Ergonomic Lectern



LEL023 is an electric height adjustable ADA lectern. It was designed with an ergonomic double work surface that provides a little extra space inside to fit slim electronics. The units contemporary and sturdy design is made from scratch resistant thermowrap finished panels. The standard finish consists of 'SGT Shark Grey' on the outer body with your choice of finish on the front panel. This lectern is a wonderful solution for giving public presentations and can be used as a single workstation as well.

Standard Features

- Lift/Lower Mechanism
- Wedge Work Surface
- Wire Management Solutions
- Interchangeable Cutout for Grommet or CUB3
- Highly resistant thermowrap finish
- Ships assembled

Options

- **FWM100** Monitor Mount (VESA 50, 75 & 100)
- **PLM1022** LCD Monitor Mount
- **FM3** Countdown Timer and Clock
- **MIC-18** MX418 S/C Microflex Gooseneck Microphone
- **LIGHT-18** Adjustable Gooseneck Light
- **PB 6** Outlet 110V Power Bar
- **PC-PATCH** Power Panel with Surge Protection and USB Port
- **CUB3** Round Cable Well
- **CUB4** Round Cable Well
- **CUB22** Black 3 Module Panel
- **CUBM3** 3 Module Power & Data Panel
- **CUBM4** 4 Module Power & Data Panel
- **CHGQiB** Wireless Charging Station
- **CUSTOM CUTOUT** Cutouts for Electronics or Other Items

Specifications

Model: LEL023

Width: 41.5"

Depth: 28.15"

Height: 33.8" - 53"

Finishes:



Other finishes are available. Check website.

The information contained in this drawing is the sole property of Audio Visual Furniture International. Any reproduction in part or as a whole without the written permission of Audio Visual Furniture International is prohibited. We can build or modify stock configurations to suit customer specifications. Please contact us to discuss how this service can help meet your needs. Some quantity restrictions may apply. Specification subject to change without notice. Computers, cameras, monitors, etc. are shown to illustrate product usage and are not included unless otherwise noted.