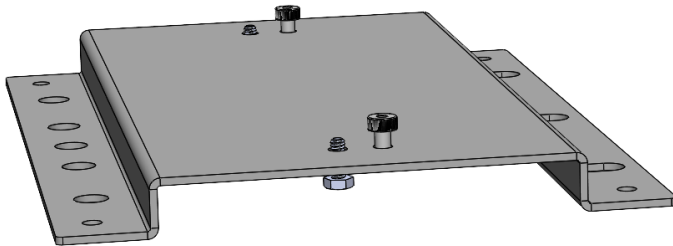


BKT-CCPL Codec Plus mount

Thank you for purchasing AVFI's BKT-CCPL Bracket.
 This product is designed to have many mounting options.
 Confirm all hardware is included before you begin assembly.
 Read these instructions start to finish before beginning installation.

Note: If you cannot understand these instructions or are concerned about safety of the installation contact a qualified contractor or contact AVFI at 1-866-405-0655.

Supplied Parts



BKT-CCPL

Supplied Hardware (Installed on bracket)

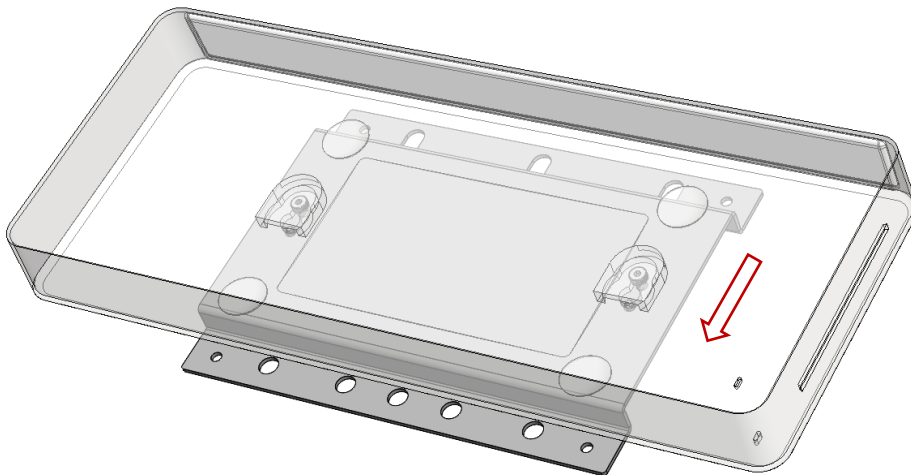
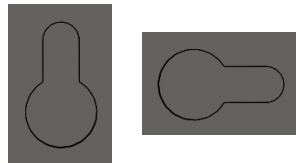


M8 Nut
(4)



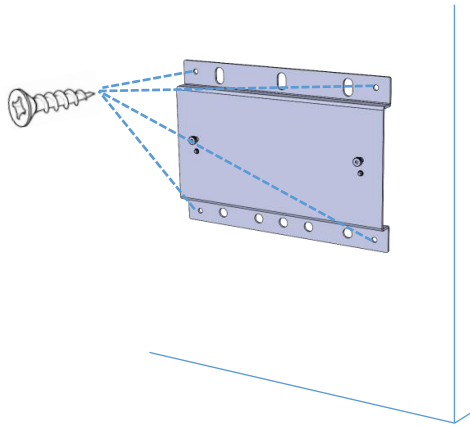
M8-20mm Bolt
(4)

- Slide Codec onto bracket to check fit and orientation (mounting direction)
 Key on back of codec should be point upwards or sideways in mounted position.

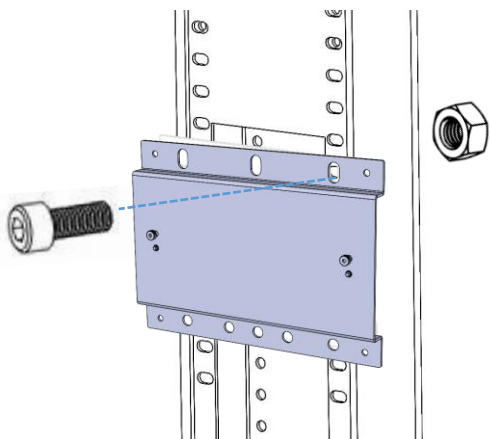


BKT-CCPL Codec Plus bracket

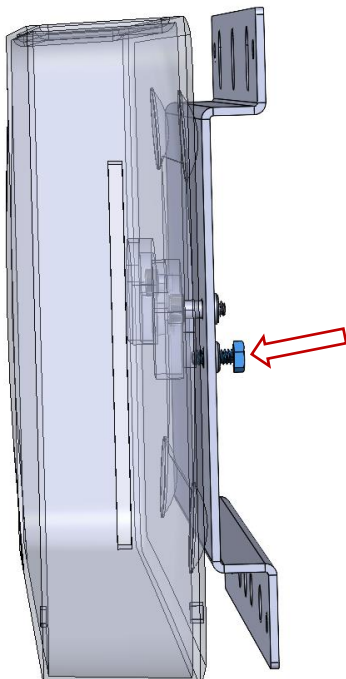
2 Choose from many mounting methods. (Some hardware not included)



Furniture Wall mount.
Attach to wall using 4 wood screws.
(screws not included)



Cart/Stand mount.
8mm Machine screws w nuts x4.
Attach to front or rear of Rolling stand.



After mounting the Bracket.
Slide Codec onto bracket and tighten
screws on back with small wrench to
lock codec from sliding. Done.