

LEX230 Educational Multimedia Lectern



*Devices shown are for display and reference only.

The **LEX230** is a Multimedia Lectern with a compact and ergonomic design in Thermowrap finish. Suitable for Schools and Universities, this mobile Lectern provides plenty of room and convenient storage for today's technology.

Standard Features

- Large 29.5" W x 17.68" D Highly resistant thermowrap surf(x) work surface with pen/paper stop.
- 1x Power Panel (2x outlet and Dual 2.0A USB fast charging) & 1x grommet.
- Spacious locking front drawer with keyboard shelf.
- Large 22" W x 14" D Pull-out side shelf.
- Locking front doors.
- Full width access rear doors with innovated hidden Lock.
- Heavy-duty casters for easy maneuvering (2 locking)
- Highly resistant thermowrap surface & body finish.
- Ships assembled.

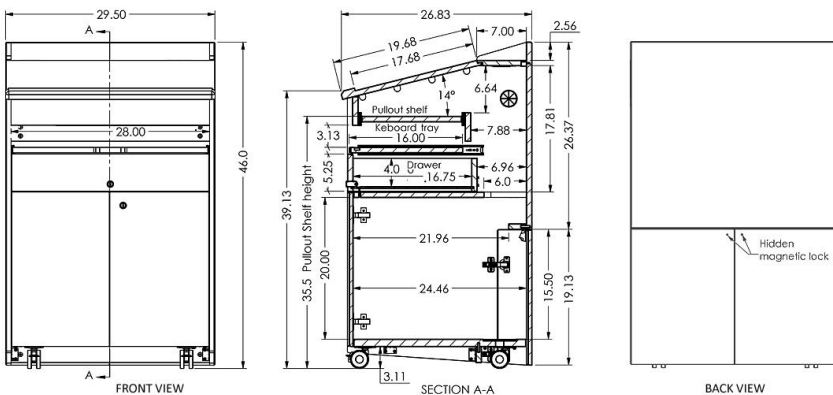
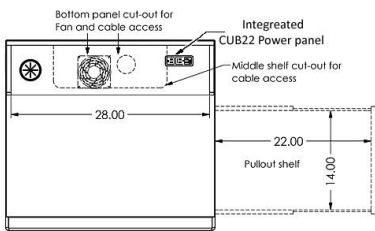
Options

- **MIC-18** MX418C Shure Gooseneck microphone.
- **LIGHT-18** Littlite Gooseneck.
- **FM3** Count down timer/ clock
- **PB** Six outlet power bar with 10 ft. Cord.
- **PC-PATCH** 2x 110AC, RJ45, Phone, 2x USB.
- **FAN** Quiet cooling fan.
- **CUB3** Round cable well.
- **CUB4** Black-B/Silver-S Power Panel.
- **CUB5** Round cable well (Black or Silver).
- **CUB8** Tabletop cable well.
- **CUB22** 3 Module Power panel, Black. (2x AC, Double USB fast charging (3.2A rated).
- **CUBM3** 3 Module Power & Data panel, Black. (2x AC, 1x Cat 6 port w/pigtail).
- **CUBM4** 4 Module Power & Data panel, Black. (2x AC, 1x Cat 6 port w/pigtail, 1x HDMI Port).
- **CHGQIB** Wireless Charging Station, Black (UL, CE, Qi certified).
- **C900S** Adjustable Monitor Arm.
- **DIR9200-5/DIR9200-8/DIR9200-10**, 10U Drop-In Rack (max).
- **CUSTOM CUTOOUT** Cutouts for electronics or other items specified by the customer.

Innovative hidden Lock.
Push-to-Open rear doors
with Magnetic key.



Full width access Rear doors
with grommet for cable access
and 120mm accommodation



Specifications

Model: LEX230
Width: 29.5"
Depth: 26.875"
Height: 46"

Finishes:



Other finishes are available. Check website.

The information contained in this drawing is the sole property of Audio Visual Furniture International. Any reproduction in part or as a whole without the written permission of Audio Visual Furniture International is prohibited. We can build or modify stock configurations to suit customer specifications. Please contact us to discuss how this service can help meet your needs. Some quantity restrictions may apply. Specification subject to change without notice. Computers, cameras, monitors, etc. are shown to illustrate product usage and are not included unless otherwise noted.