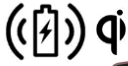


Height Adjustable Executive Multimedia Podium PDL2311



*Devices shown are for display and reference only.



The **PDL2311** Height Adjustable Podium brings a stylish look to any environment for a professional presentation with integrated casters for easy maneuvering while not lifted.

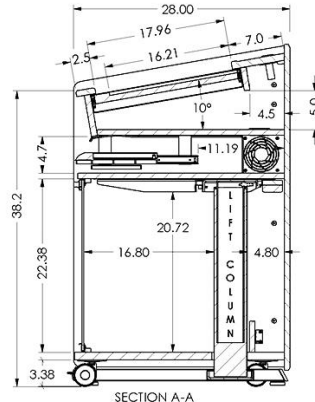
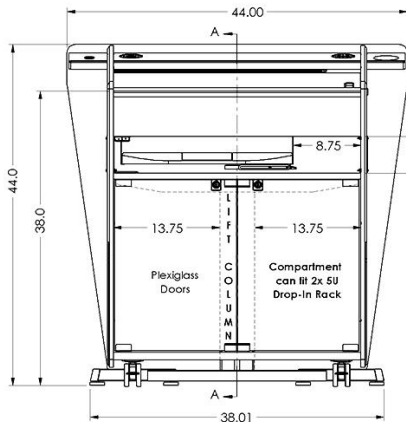
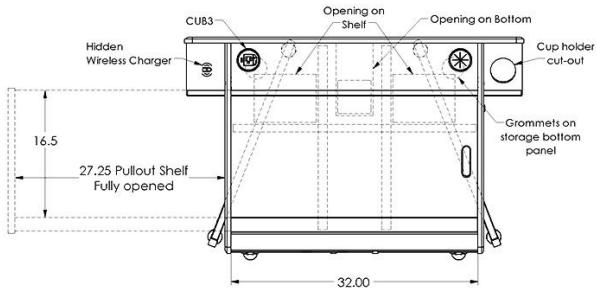
It provides plenty of room for numerous audio-visual devices such as touch interactive monitor, Cable Cubby, or laptop.

Standard Features

- 20" Height Adjustable Lift mechanism.
- Large 32" W x 16" D Highly resistant thermowrap surf(x) work surface with Large storage compartment.
- Cable well AC 110v and USB connection, and grommet.
- Hidden Wireless charging (UL, CE, Qi certified)
- Front Slide out keyboard shelf with mouse pad.
- Large 27.25" W x 16.5" D Pull-out locking side shelf.
- Locking acrylic front bay doors.
- Heavy-duty casters for easy maneuvering (2 locking)
- Highly resistant thermowrap surface & body finish.
- Ships assembled.

Options

- **MIC-18** MX418C Shure Gooseneck microphone.
- **LIGHT-18** Littlite Gooseneck.
- **FM3** Count down timer/ clock
- **PB** Six outlet power bar with 10 ft. Cord.
- **PC-PATCH** 2x 110AC, RJ45, Phone, 2x USB.
- **FAN** Quiet cooling fan.
- **CUB3** Round cable well.
- **CUB4** Black-B/Silver-S Power Panel.
- **CUB5** Round cable well (Black or Silver).
- **CUB8** Tabletop cable well.
- **CUB22** 3 Module Power panel, Black. (2x AC, Double USB fast charging (3.2A rated).
- **CUBM3** 3 Module Power & Data panel, Black. (2x AC, 1x Cat 6 port w/pigtail).
- **CUBM4** 4 Module Power & Data panel, Black. (2x AC, 1x Cat 6 port w/pigtail, 1x HDMI Port).
- **CUSTOM CUTOUT** Cutouts for electronics or other items specified by the customer.



Specifications

Model: PDL2311

Width: 44"

Depth: 28"

Height: 44" (20" Height adjustable)

Finishes:



Other finishes are available. Check website.

The information contained in this drawing is the sole property of Audio Visual Furniture International. Any reproduction in part or as a whole without the written permission of Audio Visual Furniture International is prohibited. We can build or modify stock configurations to suit customer specifications. Please contact us to discuss how this service can help meet your needs. Some quantity restrictions may apply. Specification subject to change without notice. Computers, cameras, monitors, etc. are shown to illustrate product usage and are not included unless otherwise noted.