

PDL2311 Order Form

Date _____
 AVFI Sales REP _____
 Customer Signature _____

Quote No. _____
 Customer No. _____
 AVFI No. _____

Office Use Only

To generate your order form, please refer to the information provided below to insert the alphabetic and/or numeric code in the respective category boxes. Please note that without this filled out Order Form, your purchase **cannot** be processed.

1	2	3	4
Product Model	Finish	Chargeable Accessories (One Code Per Box)	Custom Cutouts
PDL2311			

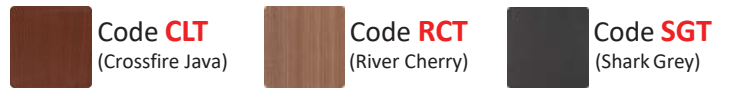
1 Choose Model Style (Front Panel)



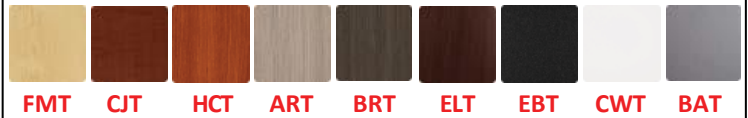
Code **PDL2311**

2 Choose Product Finish

Standard Finishes (Ships within 1-15 business days)



Optional Finishes (Ships within 20 business days)

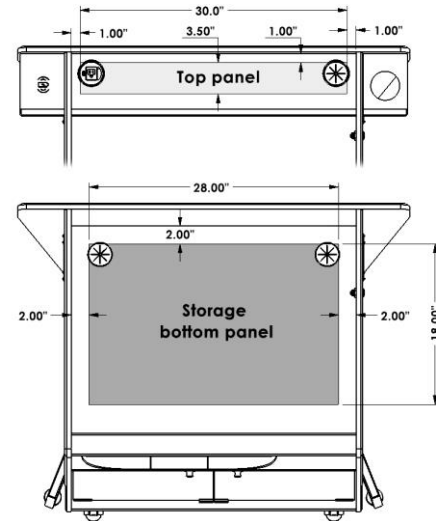


3 Chargeable Accessories (Check all that apply)

- Code **00** No Accessories _____ Qty _____
- * Code **D1** MIC-18 MX418 S/C Microphone _____ Qty _____
- * Code **D2** LIGHT-18 Gooseneck Light _____ Qty _____
- * Code **D3** FM3 Timer/Clock _____ Qty _____
- Code **D4** FAN Quiet Cooling Fan _____ Qty _____
- Code **E1** PB 6 Outlet Power Bar _____ Qty _____
- * Code **E3** CUB3 Round Cable Well _____ Qty _____
- * Code **E5** CUB5 Black Round Cable Well _____ Qty _____
- * Code **E6** CUB5 Silver Round Cable Well _____ Qty _____
- * Code **E7** PC-PATCH Power-Data Module _____ Qty _____
- * Code **EA** CUB4S Silver Power Panel _____ Qty _____
- * Code **EB** CUB4B Black Power Panel _____ Qty _____
- * Code **EJ** CUB22 3 Module Power Panel (Black) _____ Qty _____
- * Code **EK** CUBM3 3 Module Power & Data Panel (Black) _____ Qty _____
- * Code **EL** CUBM4 4 Module Power & Data Panel (Black) _____ Qty _____

4 Custom Cutout Option (Extra charges will apply)

Please indicate custom cutout location on the drawing below



Code **C0** No Custom Cutout

Code **CC** Custom Cutout (Specify on Cutout Area Above)

■ Top Panel cutout Area (1x - 30" W x 3.5" D)

■ Storage bottom Panel cutout Area (1x - 28" W x 18" D)

* Cutout Required (Extra Charges will apply)

Comments (Please use this section to provide additional information)

Notes

CAD Drawings/Symbols

CAD drawings are available by request at sales@vegroup.net

Custom Cutouts Estimated lead time within 20 business days from receipt of P.O. and signed drawings.

Customizations

Modifications to design such as shape and/or size variations have to be quoted on a per case basis and are applicable for quantities of 10+ only.