

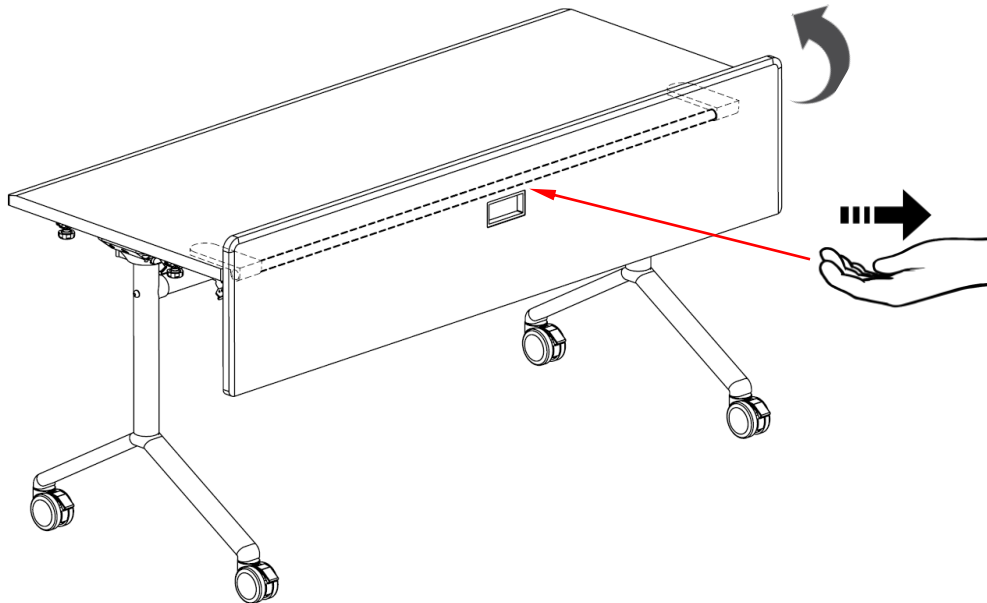
Folding Instructions

Modular Folding Table System MFT6024

This document shows the folding/unfolding and ganging instructions of the Modular Folding Tables.

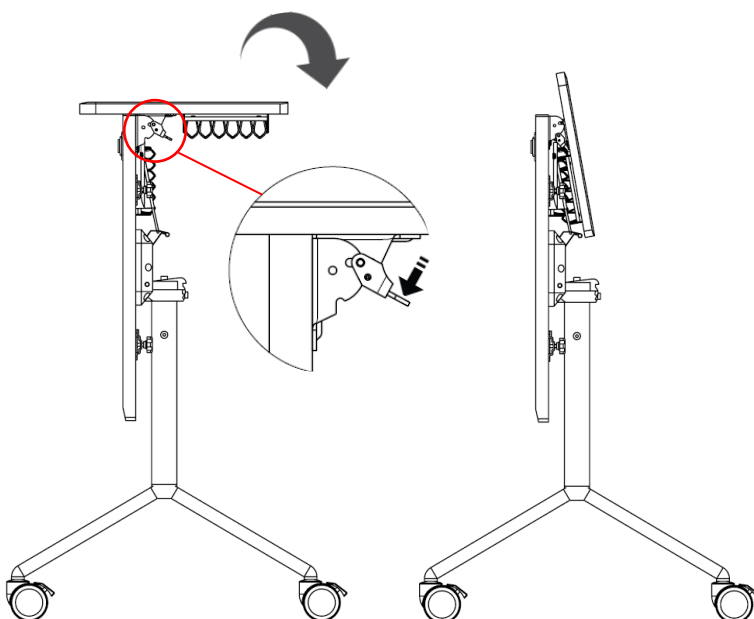
Note: If you cannot understand these instructions or are concerned about safety of the installation contact a qualified contractor or contact AVFI at 1-866-405-0655

- 1** Reach in and pull the lever-tube through the opening to release the folding mechanism.



- 2** Pressing down the latch at the same time on both brackets will fold the modesty panel. To unfold the table, reverse the procedure, both folding mechanism and the brackets will self-lock into the open position.

! Always support panels when handling in folded position.



- 3** **Ganging the Tables:**
-Position the connectors as shown below.
-Align connectors and slide the tables together. Tighten the knobs to secure the connection.

