



C2736
(Cart Only)

The Tech Series monitor cart model **C2736** will accommodate single 37" to 60" monitors using the optional **PM2-S** mount, single XL 60" to 90" monitors using the optional **PM2-XL** mount or dual 42" to 70" using the optional **PM2-D** mount. Tech Series carts have a wide wheel base that provides an extra measure of safety for heavy or oversized monitors, etc.

Standard Features

- Capable of supporting 500 lbs (225 kg)
- 4" heavy duty casters for easy maneuvering
- Locking acrylic front doors
- Locking rear door for easy access to equipment stored inside
- Interior shelf
- Durable black laminate finish
- Ships assembled
- Pre-drilled for AVFI PM2-Series mounts

Options

- **PM2-S** Single monitor mount (37"-60"-200 lbs max)
- **PM2-XL** Single XL monitor mount (60"-90 -200 lbs max)
- **PM2-D** Dual monitor mount (42"-70" - 200 lbs total max)
- **MM1232** Monitor and camera mount (12" - 32")
- **C900S** 15" - 24" Adjustable monitor arm
- **9031** Vented metal shelf*
- **9041** Sliding shelf*
- **9052** Sliding drawer*
- **FAN** Quiet cooling fan
- **RMT12** Rack mount frame 12U kit
- **PB** Six outlet power bar with 10 ft. cord
- **LEV4AX5** 5x Levelers for non-mobile applications
- **CASTER** 6" Metal caster (2 locking)

* RMT12 required



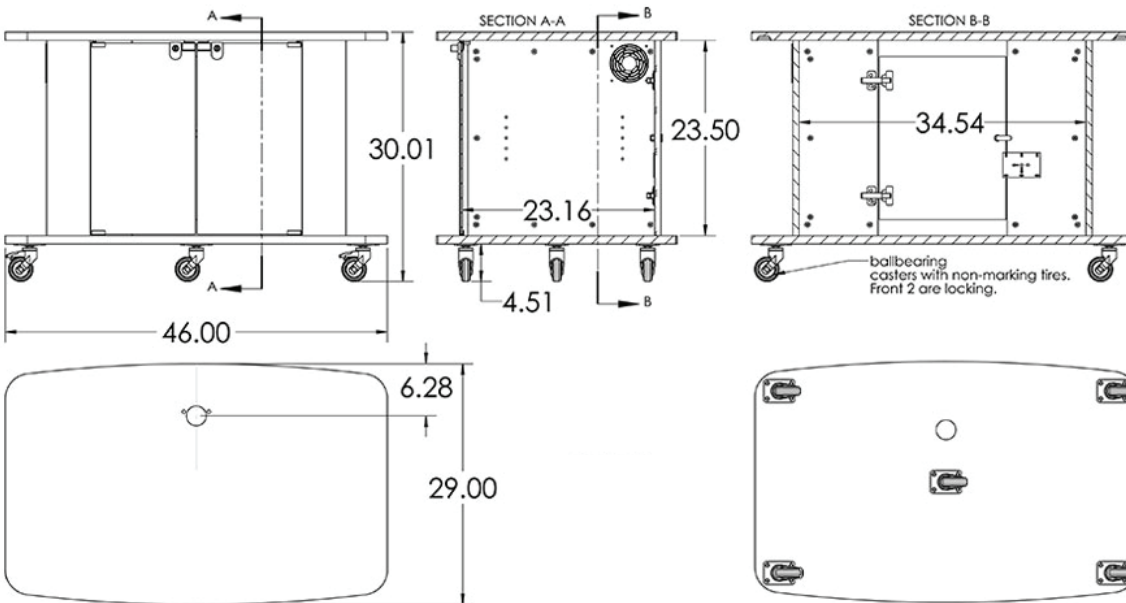
C2736-S
Cart + PM2-S
Monitor Mount



C2736-XL
Cart + PM2-XL
Monitor Mount



C2736-D
Cart + PM2-D
Monitor Mount



Specifications

Model: C2736
Width: 46"
Depth: 29"
Height: 30"
Finish: Black

The information contained in this drawing is the sole property of Audio Visual Furniture International. Any reproduction in part or as a whole without the written permission of Audio Visual Furniture International is prohibited. We can build or modify stock configurations to suit customer specifications. Please contact us to discuss how this service can help meet your needs. Some quantity restrictions may apply. Specification subject to change without notice. Computers, cameras, monitors, etc. are shown to illustrate product usage and are not included unless otherwise noted.