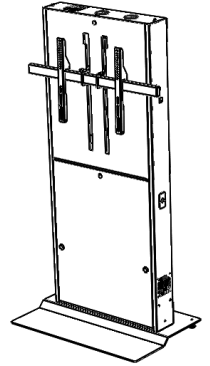


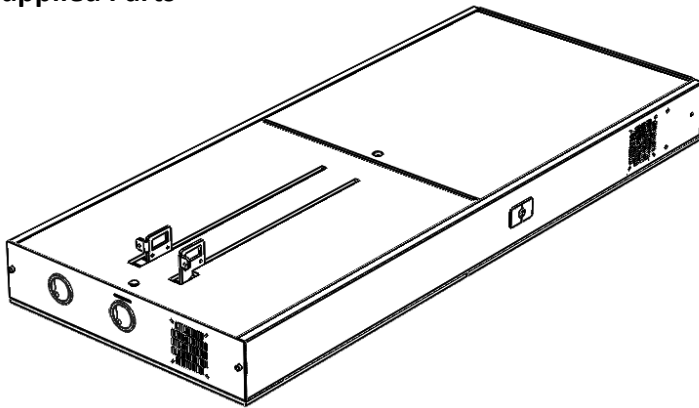
# LFT7000FS Fixed stand

Thank you for purchasing AVFI's LFT7000FS fixed stand.  
 This stand is designed for TV setups totaling up to 280lbs.  
 Confirm all hardware is included before you begin assembly.  
 Read these instructions start to finish before beginning installation.

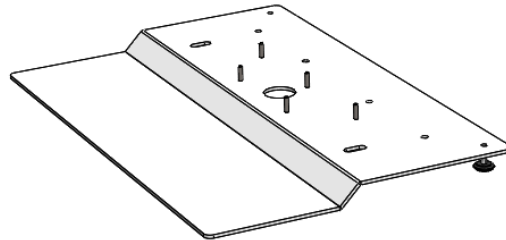
**Note:** If you cannot understand these instructions or are concerned about safety of the installation contact a qualified contractor or contact AVFI at 1-877-834-3876.



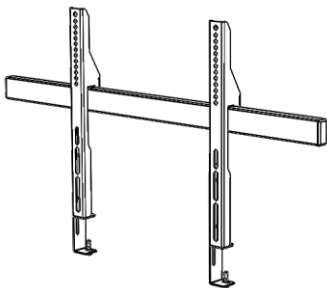
## Supplied Parts



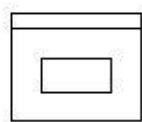
Tower  
Box 1



Fixed Base  
Box 2



TV Brackets  
S (shown)/XL/D  
Box 3+ Tube



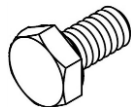
TV Hardware bag  
x2 if dual mount

Not all hardware supplied will be used.

## Supplied Hardware (additional to hardware bags)



M8 X 40  
(4)



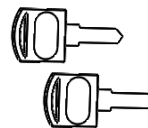
1/2 X 1  
(2)



M8 Nut  
(6)



Allen Keys found  
In hardware bag



Keys  
(6)

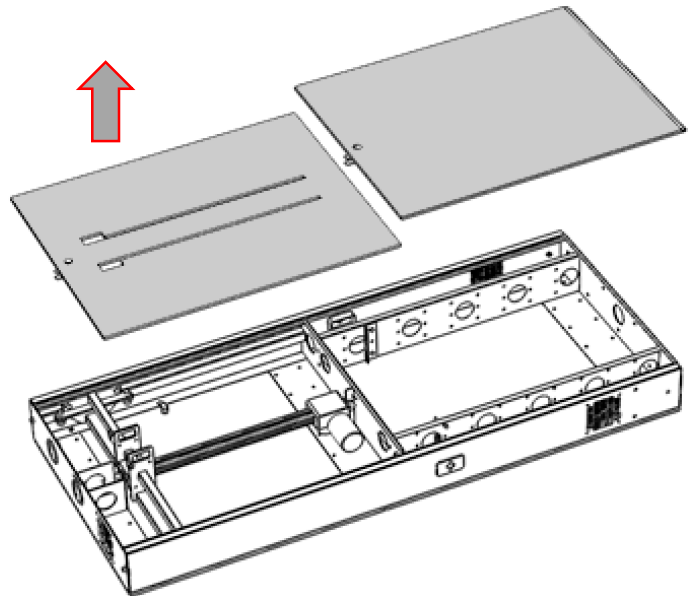
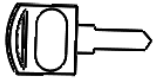
## Tools required



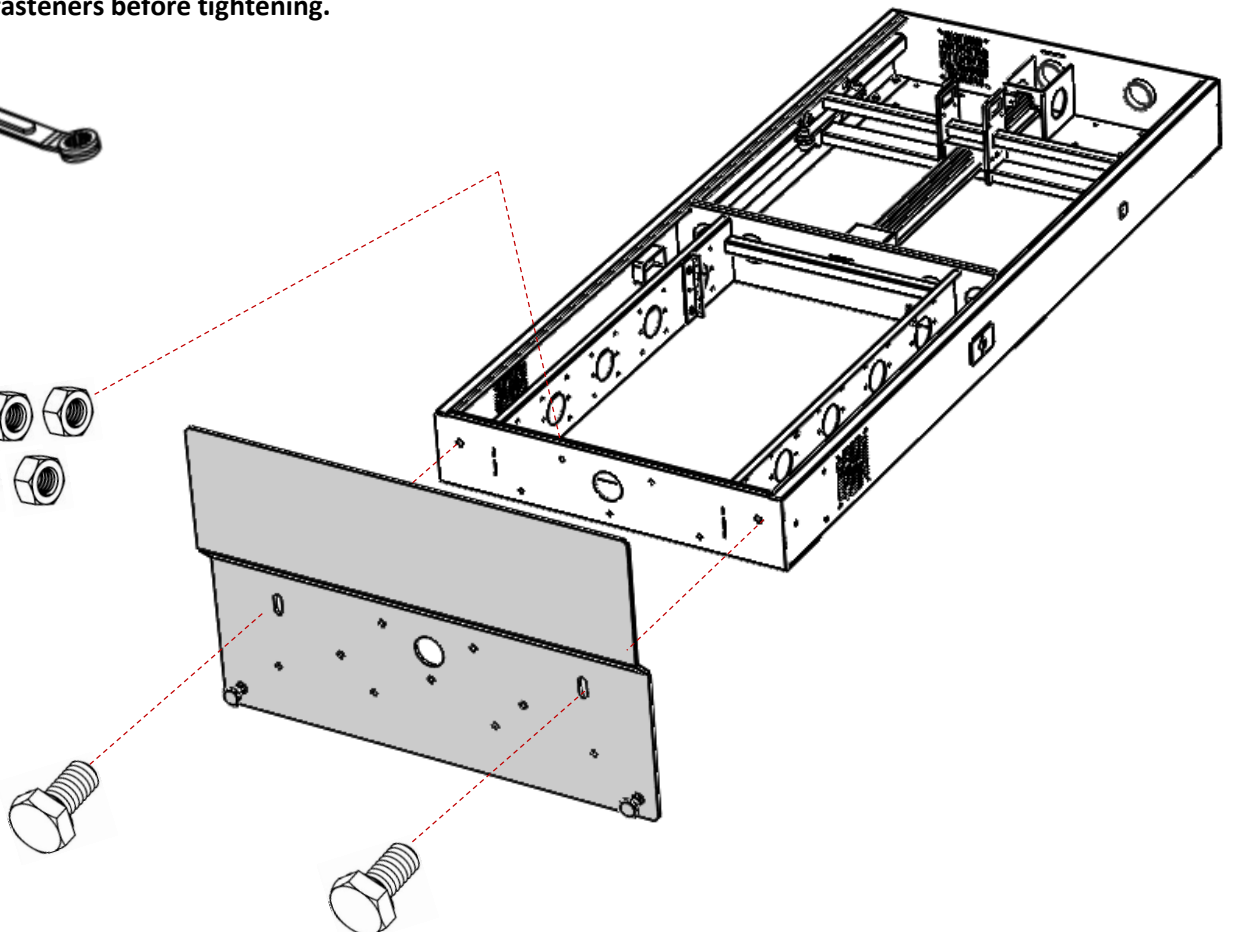
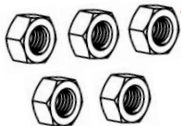
Wrench or Socket set

## LFT7000FS Stand

- 1** Unlock and remove front panels.

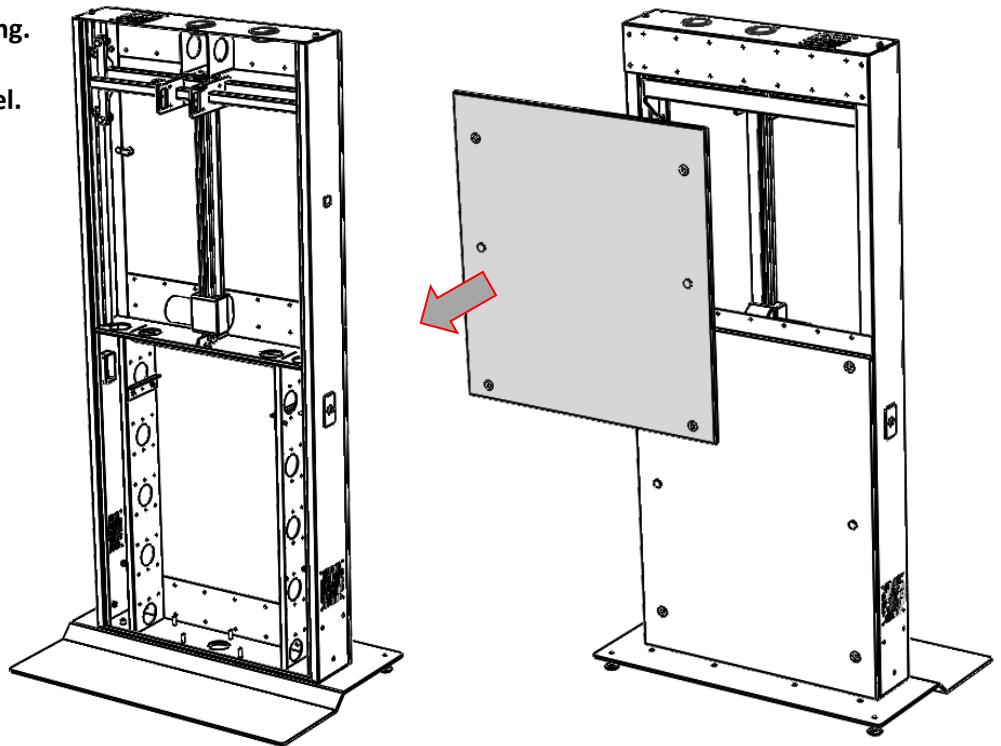
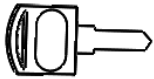


- 2** Attach base using  
Included nuts and Bolts.  
TIP: Attach all fasteners before tightening.

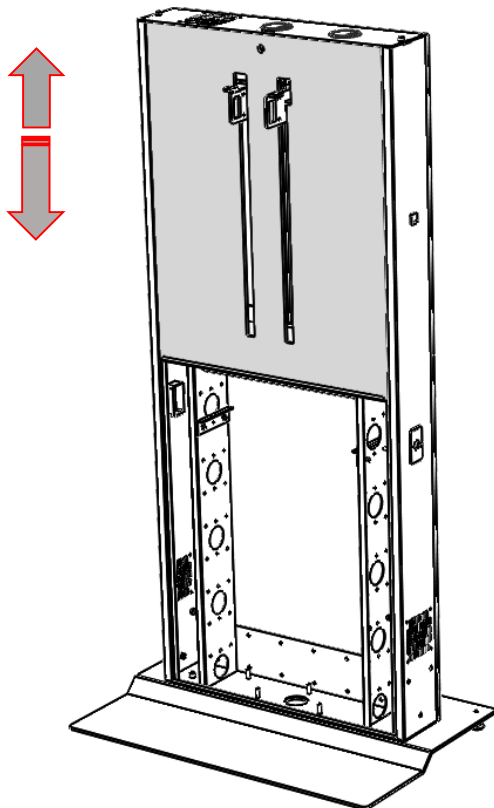


## LFT7000FS Stand

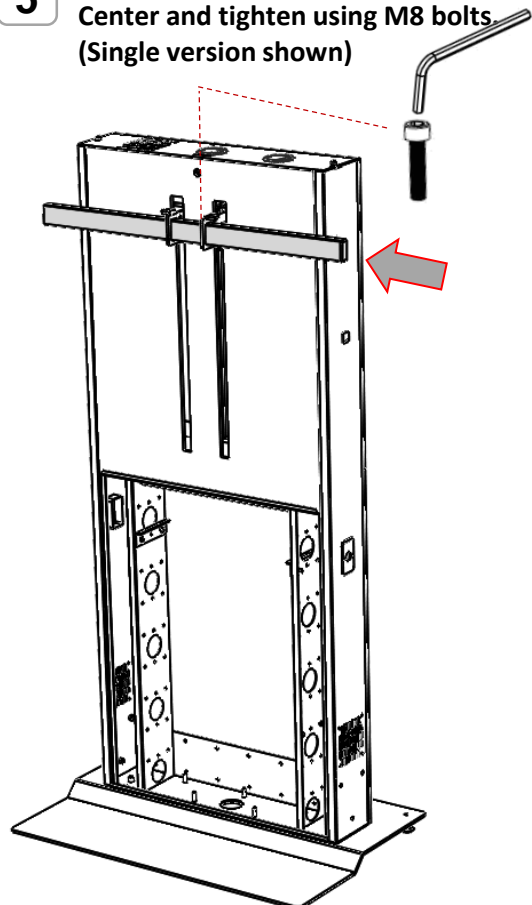
- 3** Install rack equipment and run wiring.  
Unlock and remove rear top panel.  
Pull panel straight out, keep parallel.



- 4** Plug in and test run unit up and down.  
Then install and lock front top panel.

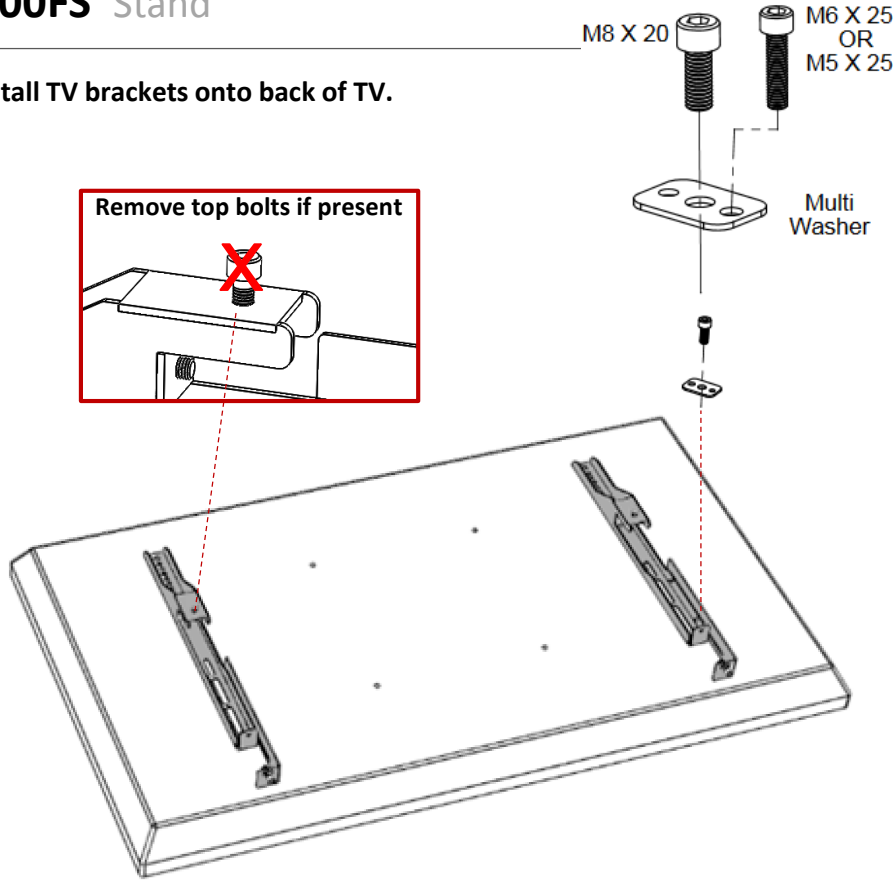


- 5** Insert Tube into carriage openings.  
Center and tighten using M8 bolts.  
(Single version shown)

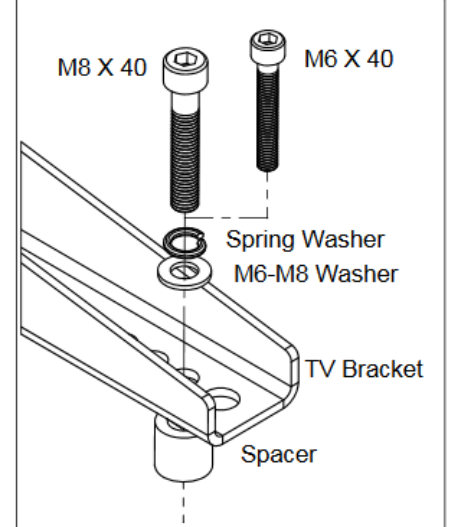


**LFT7000FS Stand**

**6** Install TV brackets onto back of TV.

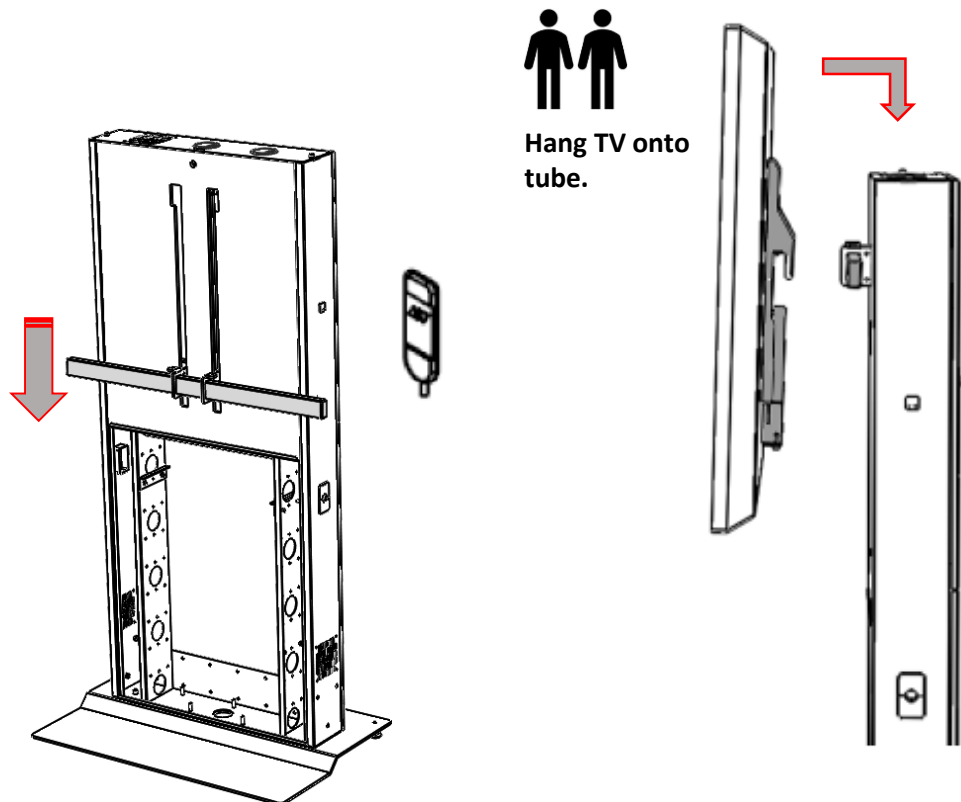


**Optional Spacer mounting**



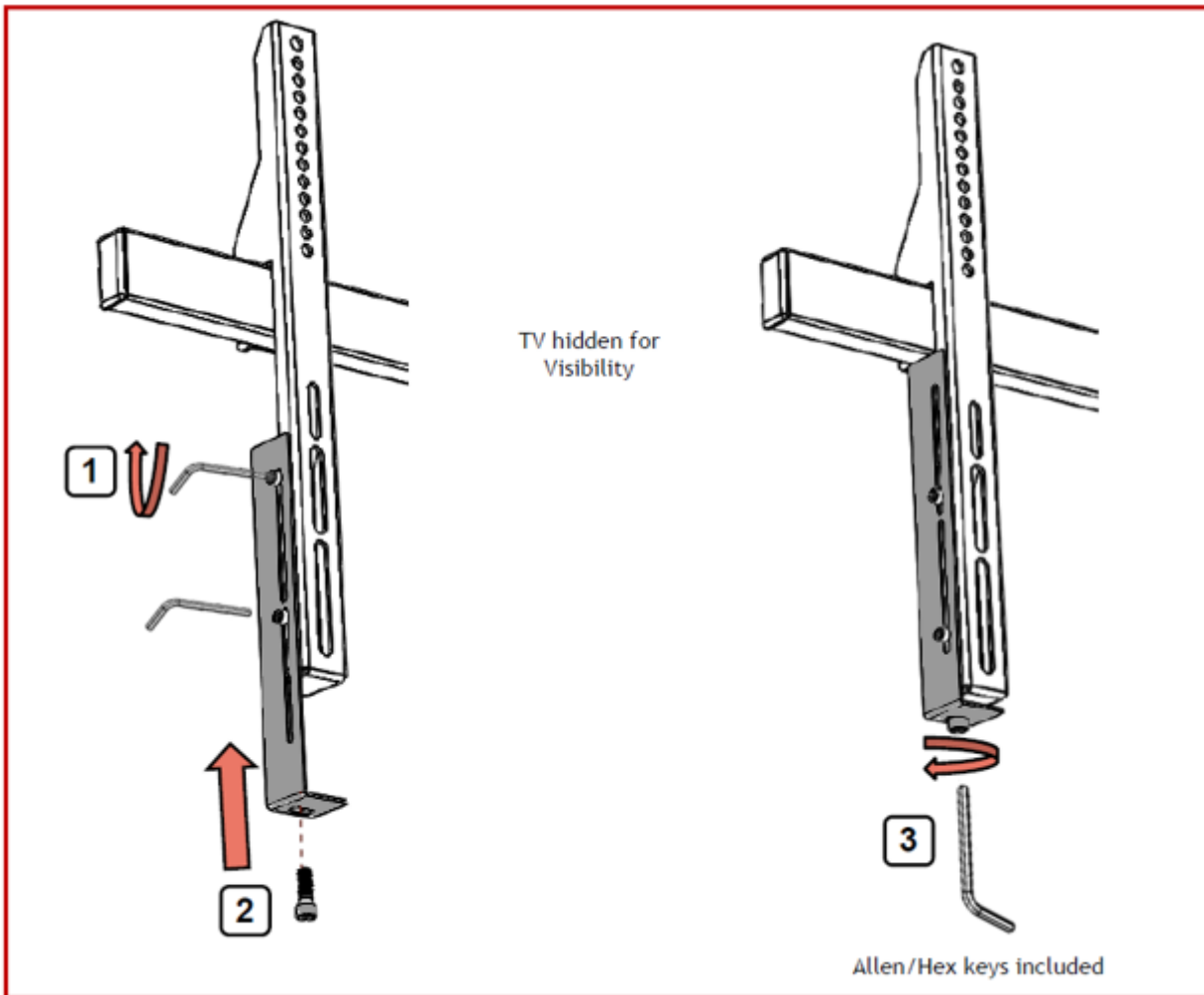
Spacer is used when the back of TV is not flat or the mount holes are sunk into the back of the TV. (Rarely used)

**7** Lower to bottom position  
To hang TV.  
See step 8.1 before  
proceeding.



**LFT7000FS** Stand

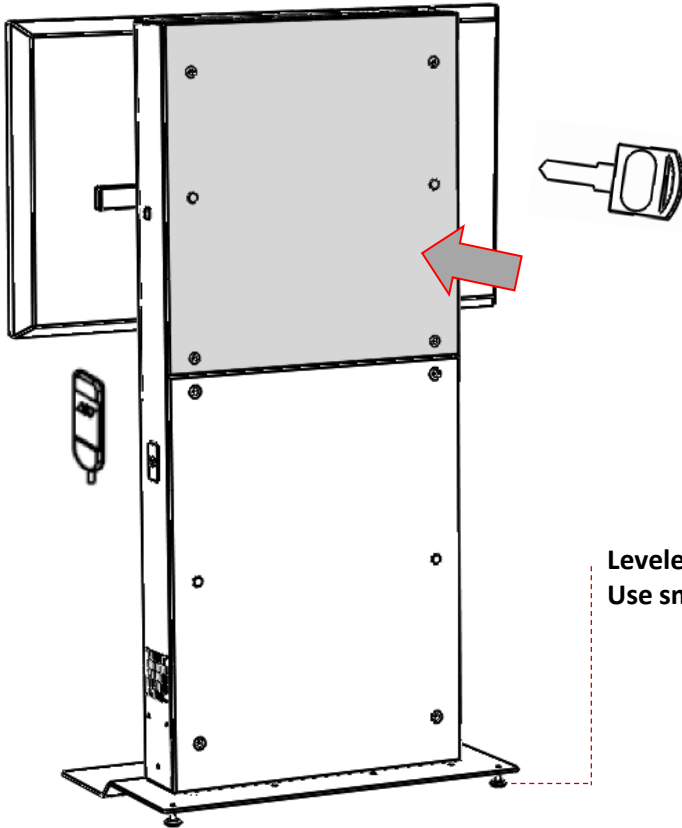
**8** Lock TV onto tube.



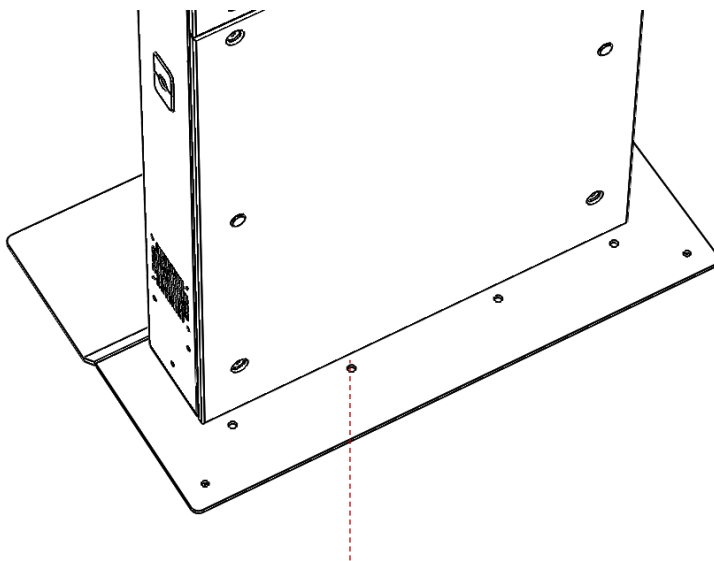
- 1** Its easier to do this step before hanging TV.  
Tighten both side bolts with Allen key until snug but bracket still slides up/down.
- 2** After hanging TV.  
Slide bracket up and hand tighten M8 bolt from bottom.
- 3** Tighten M8 bolt with Allen key until bracket is secure. (TV cannot be lifted or slide sideways)

# LFT7000FS Stand

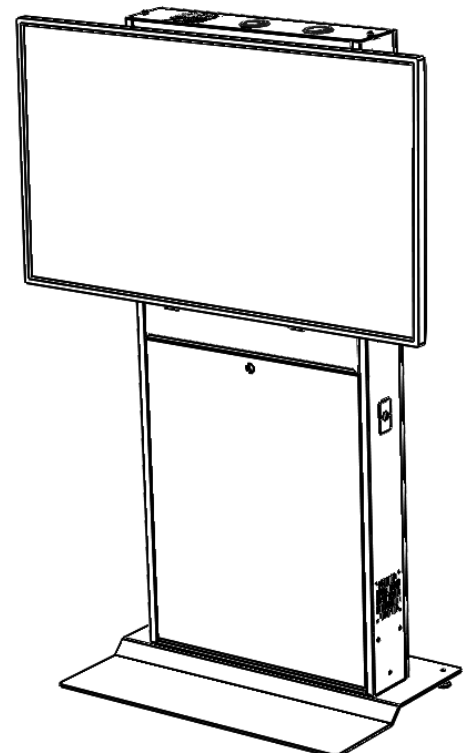
- 9** Confirm all cable clearances when moving up and down. Reinstall and lock rear panel.



Levelers x2.  
Use small wrench to adjust.



Floor anchoring holes x4. (optional step)



**Finished.**