

Date _____
 AVFI Sales REP _____
 Customer Signature _____

Quote No. _____
 Customer No. _____
 AVFI No. _____

Office Use Only

To generate your order form, please refer to the information provided below to insert the alphabetic and/or numeric code in the respective category boxes. Please note that without this filled out Order Form, your purchase **cannot** be processed.

1	2	3	4
Product Model	Finish	Chargeable Accessories (One Code Per Box)	Custom Cutouts
PD3006			

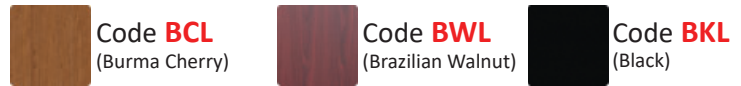
1 Product Model



Code **PD3006**

2 Choose Product Finish

Standard Finishes (Ships within 1-15 business days)



Optional Finishes (Ships within 20 business days)



3 Chargeable Accessories (Check all that apply)

- Code **00** No Accessories
- Code **A1** SH-FL Folding Side ShelfQty _____
- Code **B1** 9031-1 1U Utility Metal ShelfQty _____
- Code **B2** 9031-2 2U Utility Metal ShelfQty _____
- Code **B3** 9031-3 3U Utility Metal ShelfQty _____
- Code **B5** 9052-2 2U Sliding Metal DrawerQty _____
- Code **B6** 9052-3 3U Sliding Metal DrawerQty _____
- * Code **D1** MIC-18 MX418 S/C MicrophoneQty _____
- * Code **D2** LIGHT-18 Gooseneck LightQty _____
- * Code **D3** FM3 Timer/ClockQty _____
- Code **D4** FAN Quiet Cooling Fan (Maximum 2)Qty _____
- Code **E1** PB 6 Outlet Power BarQty _____
- * Code **E3** CUB3 Round Cable WellQty _____
- * Code **E4** SF-PB3 3 Outlet Power BarQty _____
- * Code **E5** CUB5 Black Round Cable WellQty _____
- * Code **E6** CUB5 Silver Round Cable WellQty _____
- * Code **E7** PC-PATCH Power-Data ModuleQty _____
- * Code **E8** CUB8 Table Top Cable WellQty _____
- * Code **EA** CUB4S Silver Power PanelQty _____
- * Code **EB** CUB4B Black Power PanelQty _____
- * Code **EC** CHGQIW Wireless Charging Station WhiteQty _____
- * Code **EF** CHGQIB Wireless Charging Station BlackQty _____
- ** Code **ED** CHGQI-DNGL Dongle LightningQty _____
- Code **H4** RR10 10U Set of Rack Rails (Rear)Qty _____
- Code **J1** 9107 Lacing BarQty _____
- Code **K1** C900S Single Monitor ArmQty _____
- Code **K3** PLM1022 Monitor MountQty _____
- Code **K4** MM1232 Monitor MountQty _____
- Code **M5** MCB1925 Monitor/Camera BracketQty _____
- Code **Q1** LEV4A4X 4x Levelers for Non-Mobile ApplicationsQty _____

Comments (Please use this section to provide additional information)

Notes

CAD Drawings/Symbols
 CAD drawings are available by request at sales@vegroup.net

Custom Cutouts
 Estimated lead time within 20 business days from receipt of P.O. and signed drawings.

Customizations
 Modifications to design such as shape and/or size variations have to be quoted on a per case basis and are applicable for quantities of 10+ only.

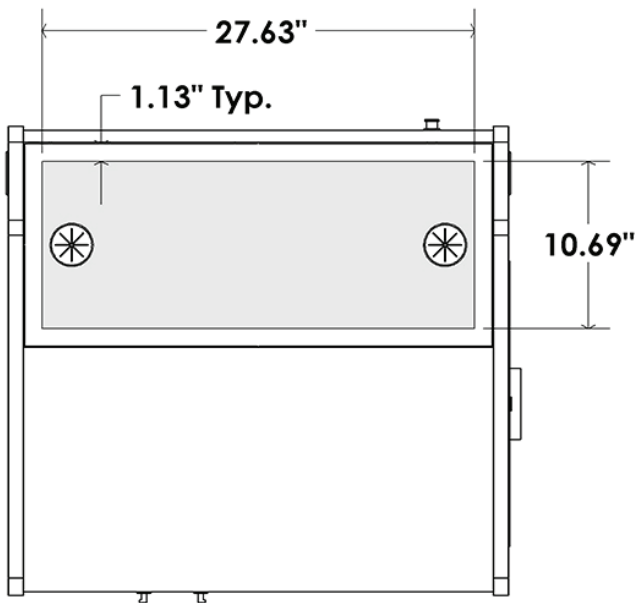
Custom Cutout Option on Page 2

* Cutout Required (Extra Charges will apply)
 ** Requires CHGQIW/B accessory § Only on Flat Cutout

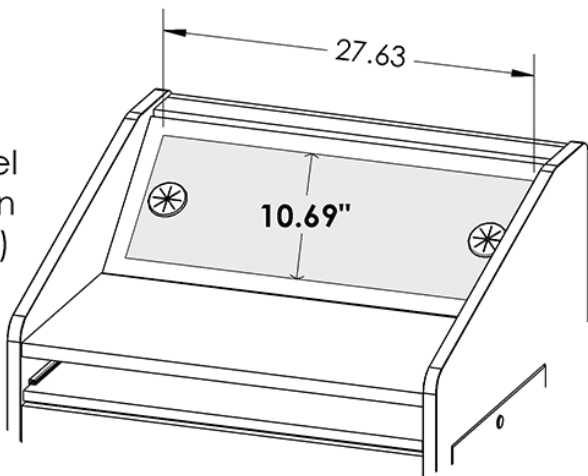
Please indicate custom cutout location on the drawing (s) below

4 Custom Cutout Option (Extra charges will apply)

Top Rear Removable Panel
cutout in flat position



Same
Top Rear Removable Panel
cutout in a wedge position
(see assembly instructions)



- Code **CO** No Custom Cutout
- Code **CC** Custom Cutout (Specify on Cutout Area Above)
- Cutout Area - Flat or Wedge Position (27.63"W X 10.69"D)