



Designed to Fit Under Tables

RKYZ12 is a 12U mobile rack made laminates and stylish aluminum side grills panels. It features front 12U rack rails for equipment storage accessible from front and back with front and rear locking doors. It offers cable access on sides, top and bottom through grommets and it stands on modern casters (front two lock). Rack height allows the unit to be stored under tables & desks with easy access.

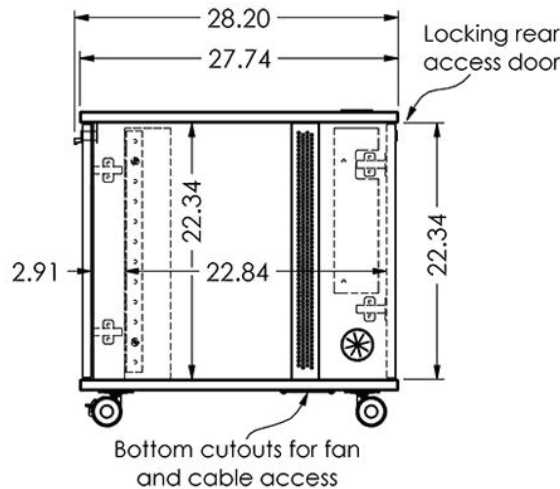
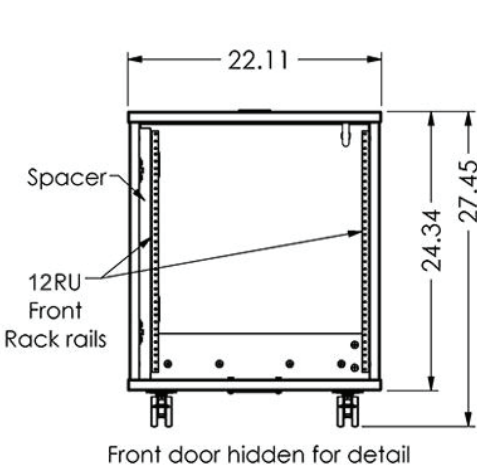
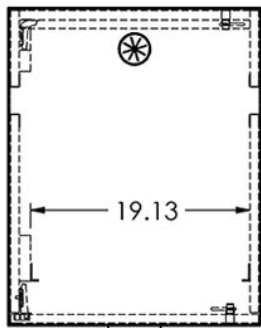


Standard Features

- Front rack unit with 12U for equipment storage
- Front and rear locking door
- Cable access through grommets on both sides, top and bottom
- Ventilated grid along the side panels and bottom grill plate
- Premium modern casters
- Made with laminates (many finishes to choose from)

Options

- C900S 15" - 24" Adjustable single monitor arm
- C900D Adjustable dual monitor arm
- MM1232 12" - 32" Monitor mount
- PB Six outlet power bar with 10 ft. cord
- FAN Quiet cooling fan (back top panel)
- 9031 Utility metal shelf
- 9041 Sliding metal shelf (Rear rack rails required)
- 9052 Sliding metal drawer
- 9107 Lacing bar (19" long)
- RR12 Rear rack rails
- LEV4AX4 4x Levelers for non-mobile applications



Specifications

Model: RKYZ12
Width: 22"
Depth: 28"
Height: 27.5"

Finishes



Other finishes are available. Check website.

The information contained in this drawing is the sole property of Audio Visual Furniture International. Any reproduction in part or as a whole without the written permission of Audio Visual Furniture International is prohibited. AVFI can build or modify stock configurations to suit customer specifications. Please contact us to discuss how this service can help meet your needs. Some quantity restrictions may apply. Specification subject to change without notice. Computers, cameras, monitors, etc. are shown to illustrate product usage and are not included unless otherwise noted.