

PD4501 Large Podium



PD4501 podium features a large customizable top surface to support monitors, laptops and room control systems. It also boasts a front storage area, a side doc cam or projector shelf, front and rear interior access with security locks, PC tower space, ample 14U rack rails for additional electronic equipment.

Standard Features

- Flat or wedge top pods with multiple configuration options to suit your interface requirements
- 3 rear doors for easy access to equipment from audience side (2 lower cabinet doors with locks)
- Interior space with 14U 19" rack rails (26.13" Deep) behind locking acrylic door
- Locking storage compartment
- PC space with front access
- Document camera/projector shelf
- FAN Quiet cooling 120mm fan
- Pull-out keyboard tray
- Heavy duty casters (2 locking)
- Available in our laminate finishes
- Ships assembled

Options

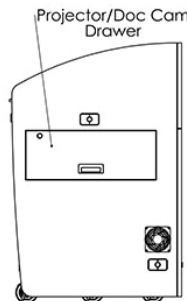
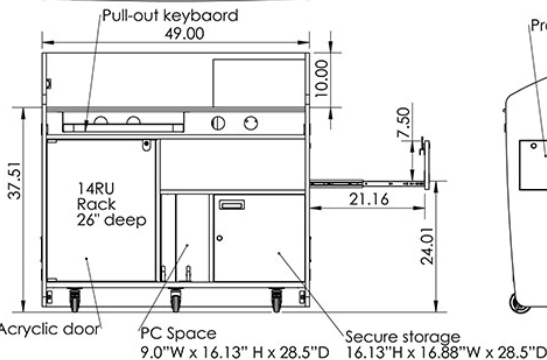
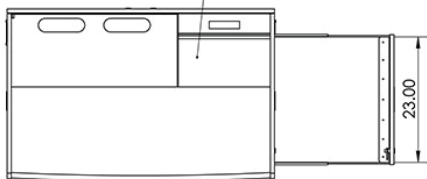
- **C900S/C900D** Single/Dual adjustable monitor arm
- **PLM1022** 10" - 24" Monitor mount
- **MM1232** 12" - 32" Monitor mount
- **MCB1925** 19" - 25" Monitor/camera bracket
- **FM3** Count down timer/clock
- **MIC-18** MX418 S/C Shure Gooseneck microphone
- **LIGHT-18** Littlite Gooseneck
- **FAN** Quiet cooling fan
- **PB** Six outlet power bar with 10 ft. cord
- **PC-PATCH** 2x 110AC, RJ45, Phone, 2x USB
- **SF-PB3** Surface mounted 3-outlet 120V power bar
- **CUB3** Round cable well
- **CUB4** Black-B/Silver-S Power Panel
- **CUB5** Round cable well (Black or Silver)
- **CUB8** Table top cable well
- **CHGQIW/B** Wireless charging station white or black. Only on flat cutout
- **CHGQI-DNGL** Dongle Lightning, USB Type-C, Micro-USB (Requires CHGQIW/B)
- **9031/9041/9052** Utility metal shelves/drawer (Check website)
- **RR14** 14U rear rack rails
- **9107** Lacing bar (19" long)
- **MAGKEY** Additional key for hidden locks
- **LEV4AX5** 5x Levelers for non-mobile applications
- **CUSTOM CUTOUT** Cutouts for electronics or other items specified by the customer



Flat + Wedge Configuration Shown



Flat or wedge top pods shown.



Specifications

Model: PD4501
Width: 49"
Depth: 31.75"
Height: 47.75"

Finishes



Other finishes are available. Check website.

The information contained in this drawing is the sole property of Audio Visual Furniture International. Any reproduction in part or as a whole without the written permission of Audio Visual Furniture International is prohibited. AVFI can build or modify stock configurations to suit customer specifications. Please contact us to discuss how this service can help meet your needs. Some quantity restrictions may apply. Specification subject to change without notice. Computers, cameras, monitors, etc. are shown to illustrate product usage and are not included unless otherwise noted.