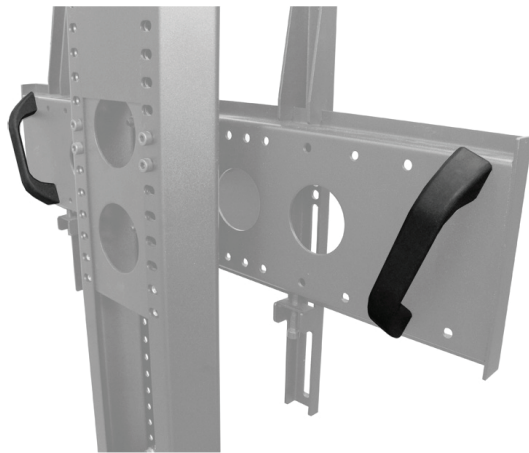




**PM-HANDLE** Set of 2 grab handles to be installed on the back of TV brackets on AVFI's PM-S-FL & PM-XFL-S/D stands for easy maneuvering. Black color.



**PM-HANDLE** installed on a PM-S-FL stand (sold separately)

The information contained in this drawing is the sole property of Audio Visual Furniture International. Any reproduction in part or as a whole without the written permission of Audio Visual Furniture International is prohibited. We can build or modify stock configurations to suit customer specifications. Please contact us to discuss how this service can help meet your needs. Some quantity restrictions may apply. Specification subject to change without notice. Computers, cameras, monitors, etc. are shown to illustrate product usage and are not included unless otherwise noted.