

The **CHLD245** Cup Holder is an option for selected AVFI products. Whether on a table, podium or lectern, this cup holder will ensure your drink is never too far away and it will keep it safe from spilling during a presentation.

### Standard Features

- Made of metal with silver finish.
- Designed to swivel in and out under a top panel or shelf.
- Includes screws for installation.



Cup Holder installed on an AVFI Lectern (Sold separately)

### Specifications

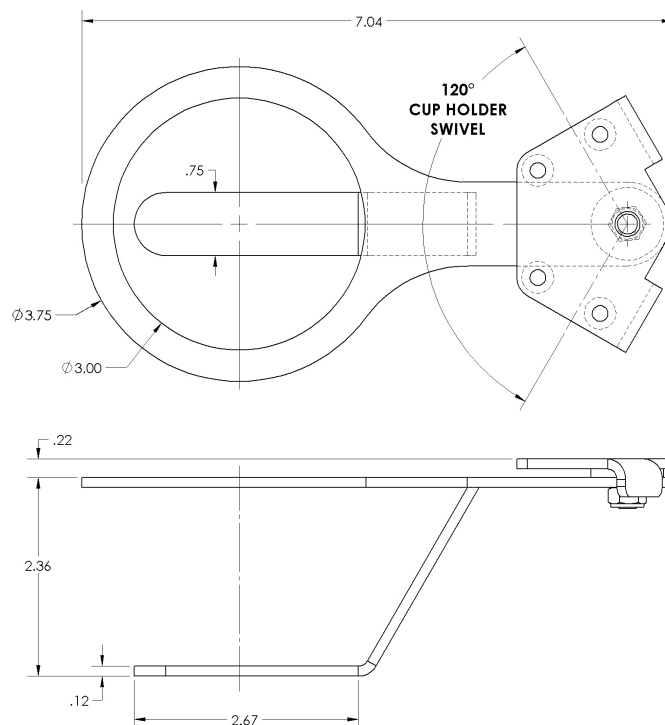
**Model:** CHLD245

**Width:** 7.04"

**Depth:** 3.75"

**Height:** 2.58"

**Color:** Silver



The information contained in this drawing is the sole property of Audio Visual Furniture International. Any reproduction in part or as a whole without the written permission of Audio Visual Furniture International is prohibited. We can build or modify stock configurations to suit customer specifications. Please contact us to discuss how this service can help meet your needs. Some quantity restrictions may apply. Specification subject to change without notice. Computers, cameras, monitors, etc. are shown to illustrate product usage and are not included unless otherwise noted.