

Stand60 Eye-level stand for Speakertrack60

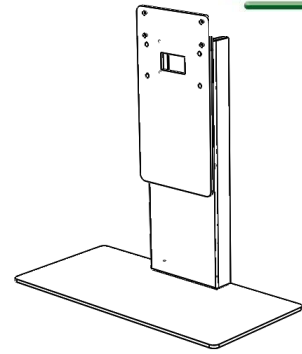
Thank you for purchasing AVFI's Stand60.

This product is designed for mounting a Cisco Speakertrack60 Camera on a Credenza or tabletop at eye-level.

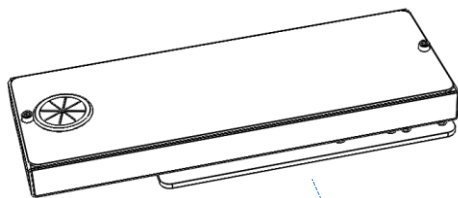
Confirm all hardware is included before you begin assembly.

Read these instructions start to finish before beginning installation.

Note: If you cannot understand these instructions or are concerned about safety of the installation contact a qualified contractor or contact AVFI at 1-877-834-3876.



Supplied Parts

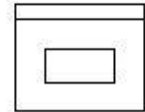


Tower

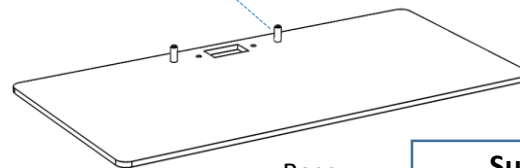
Supplied Hardware (installed on parts)



5/16 Nut
(2)

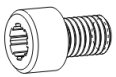


Hardware bag



Base

Supplied Hardware (installed on parts)



M8 X 12
(2)



5/16 Nut
(4)



1/2 Spacers
(4)



1/4-20 x 3/4
Hex bolts
(4)

Supplied Hardware (inside hardware bag)



3/4" Screw
(2)

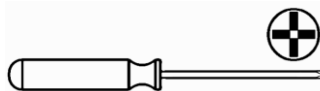


Allen Key for M8
(1)

Tools required

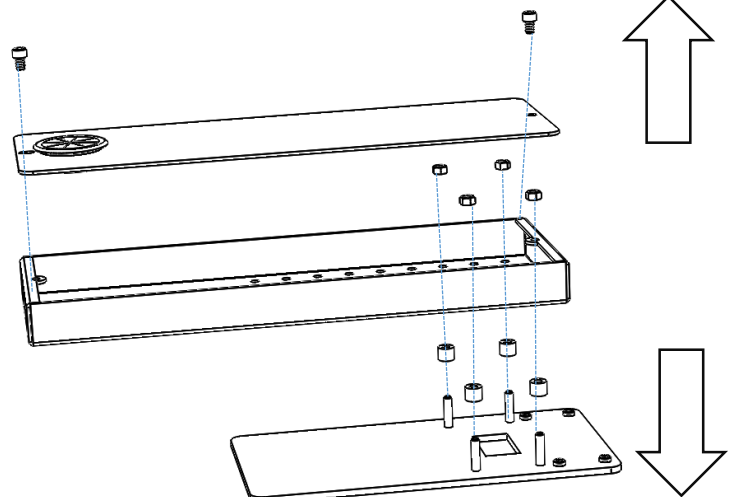


Socket set



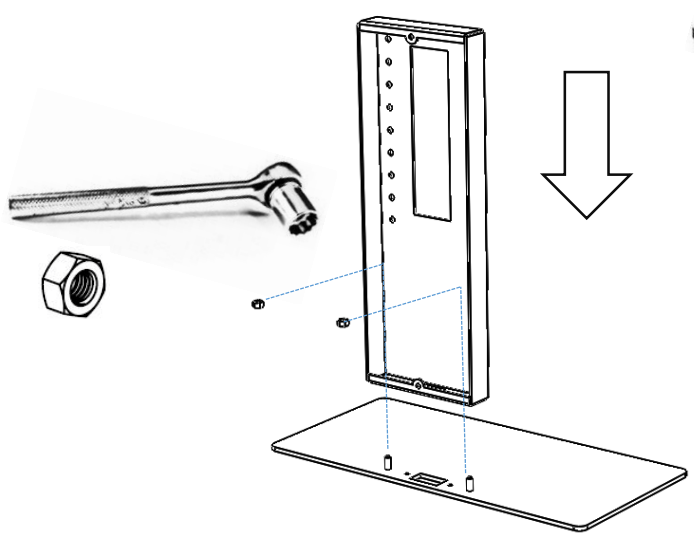
Philips Screwdriver +

- 1 Remove rear panel bolts and lift off panel. Remove 4 nuts inside and remove camera mounting plate. (disassemble unit)

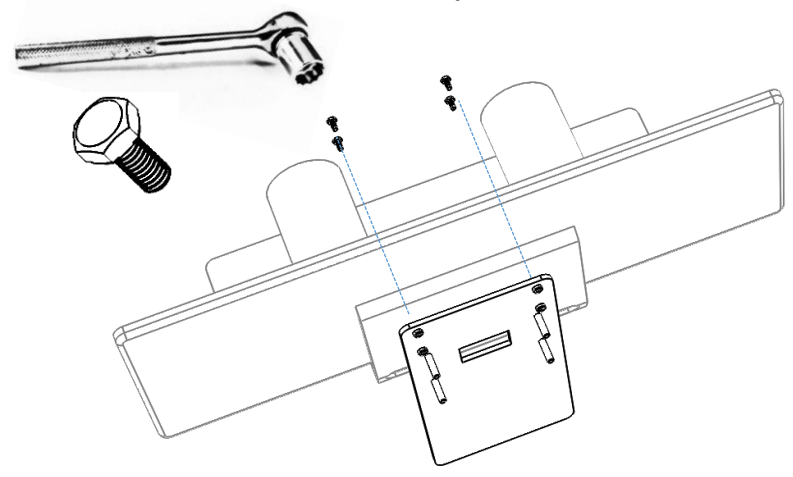


Stand60 Assembly Instructions

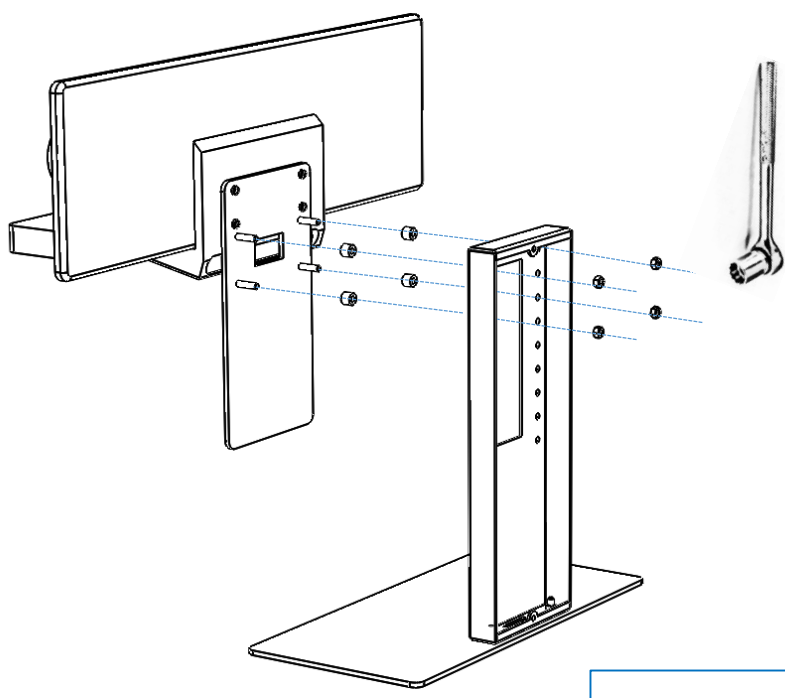
2 Attach Tower to Base using supplied nuts.



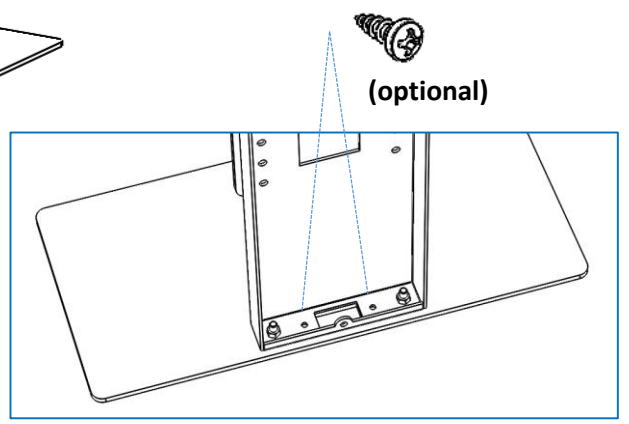
3 Attach Speaktrack60 to mounting plate
Using Speakertrack60 wall mounting procedure and 1/4-20 Hex bolts provided.



4 Adjust to Eye level (Commonly 45" from floor to camera lens center)
Attach plate using spacers and supplied nuts (x4)



5 Run cables/wiring through inside of unit.
Base can be screwed to tabletop surface if desired (optional)
Test unit and install back cover.



Finished.