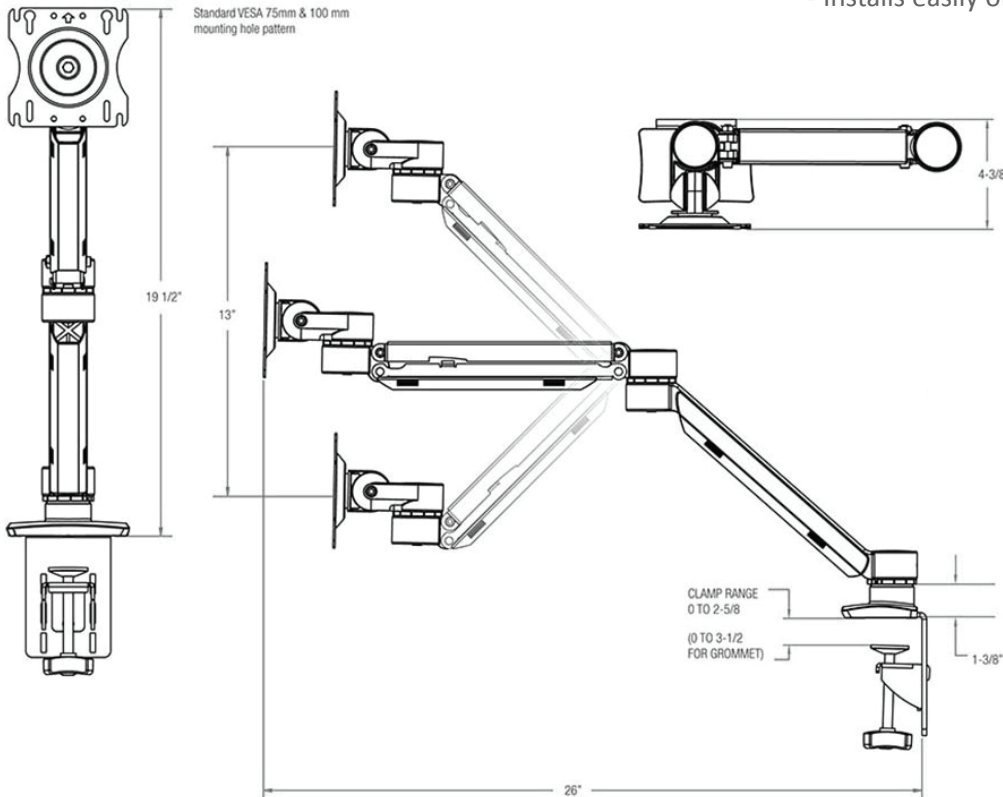




The **C900S** monitor arm enables a full range of motion and ensures a high degree of monitor stability. Simple and easy to install and use, C900S is ideal for lecterns, podiums, desks and AV carts.

Standard Features

- Works with 75mm and 100mm VESA patterns
- Provides 26" of reach with 13" of usable height adjustment
- Visually appealing pole-less monitor arm folds into a 4-3/8" area for more desk space in smaller work environments
- Tool-less clamp installation makes assembly quick & easy
- Flexibility and more options for the end user with a simple, easy-to-use Allen wrench adjustment to counterbalance the weight of the monitor
- With a clamping range of 0" to 2 5/8" (clamp), the arm will fit to any work surface
- Enclosed cable management system hides cables
- Counterbalanced spring technology allows for a 2 to 14lb. load (no gas leakages from use of gas cylinders)
- It swivels 360° around the base, increasing the options for display position
- Made in Canada - TAA compliant. Meets GSA bid requirement
- Installs easily on any lectern, podium, desk & A/V carts



Specifications

Model: C900S
Width: 4-3/8"
Depth: 26"
Height: 19-1/2"

Color



The information contained in this drawing is the sole property of Audio Visual Furniture International. Any reproduction in part or as a whole without the written permission of Audio Visual Furniture International is prohibited. We can build or modify stock configurations to suit customer specifications. Please contact us to discuss how this service can help meet your needs. Some quantity restrictions may apply. Specification subject to change without notice. Computers, cameras, monitors, etc. are shown to illustrate product usage and are not included unless otherwise noted.