

TP4000 Wall stand

Thank you for purchasing Stand TP4000.

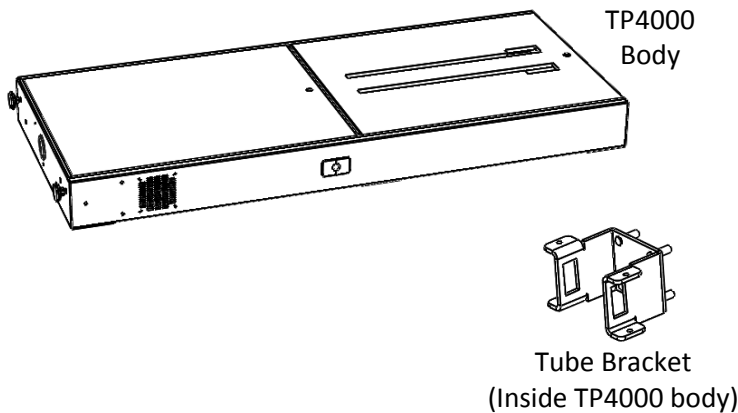
This Stand accommodates from single 40" up to dual 70" displays not exceeding 280lbs total.

If you cannot understand these instructions or are concerned about safety of the installation Contact a qualified contractor or contact AVFI at 1-877-834-3876.

Read through entire instructions before beginning assembly.
This assembly will require a minimum of 2 people.

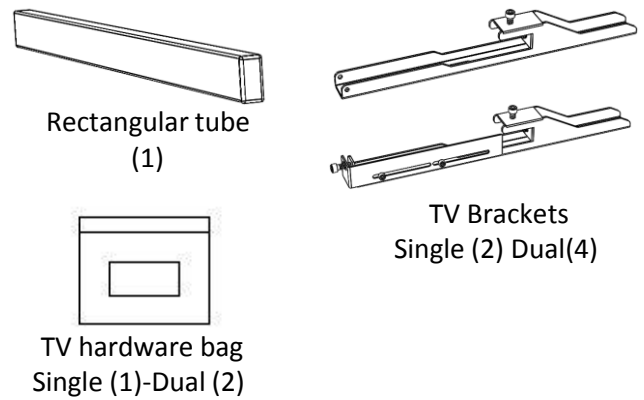


Main box- Supplied Parts

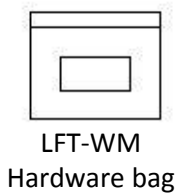


Mount Parts- Box 2

Parts and quantity will vary depending on model.



Supplied hardware bag (in main box.)



Toggle
Anchor
(x8)



LAG
Shield
(x8)

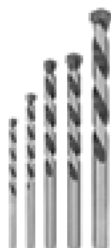


HEX
Bolt
(x8)



LAG Bolt
(x8)

Tools required



Drill bit set



Drill



Socket set

Tools required if Stud wall.



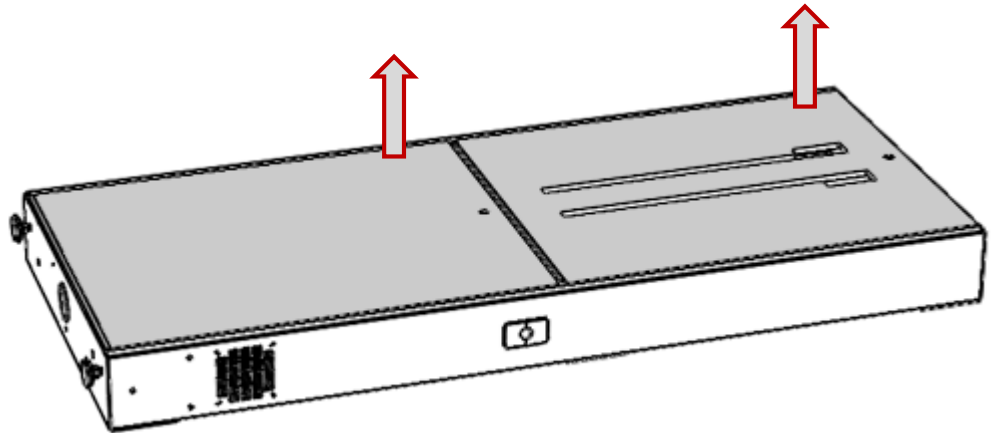
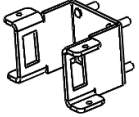
Stud Finder
If Drywall



Pencil

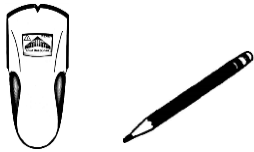
- 1** Unpack , Unlock
and Lift off front
panels.

Remove tube
bracket from
inside.

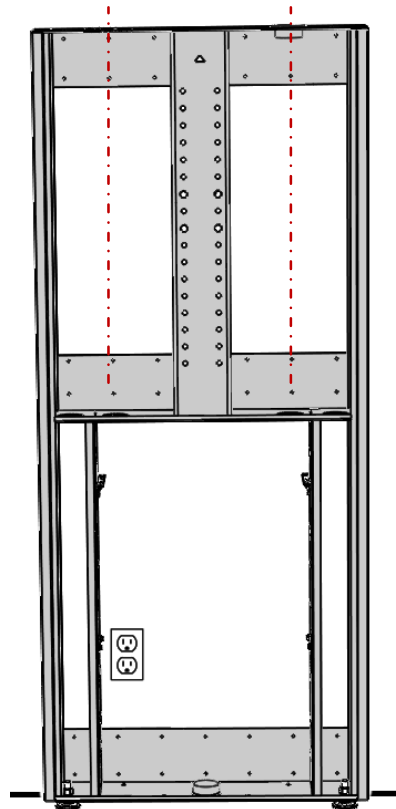


- 2** Find and mark studs if stud wall.
Preferably over outlet.

Position TP4000 Body with holes
Lined up over stud centers.
Mark hole locations.

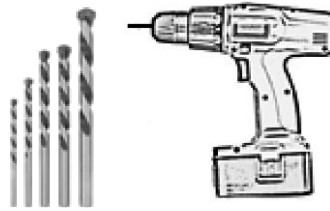


Stud Finder
If Drywall



3

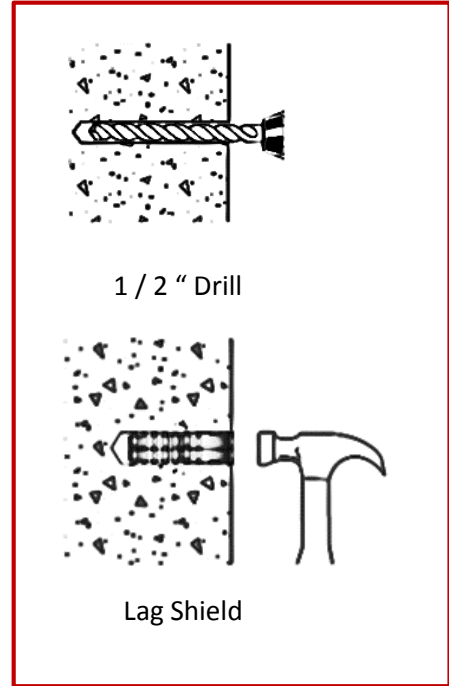
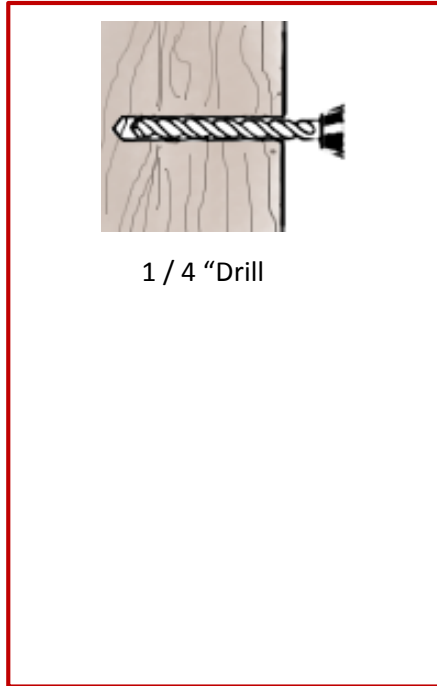
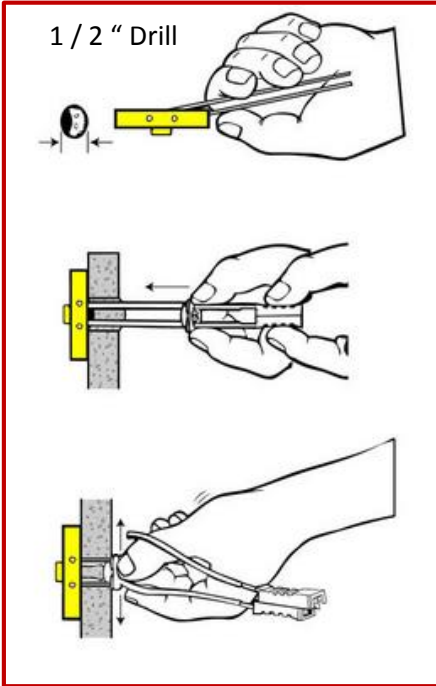
Drill holes



Drywall w steel stud

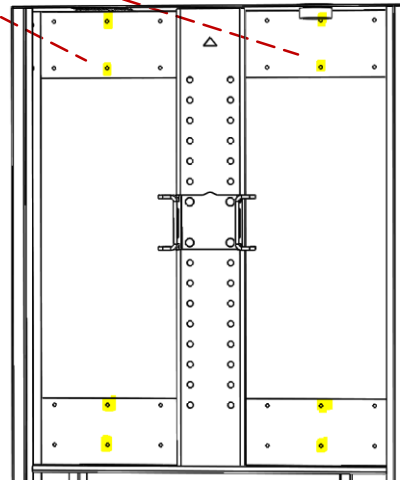
Drywall w wood stud

Masonry



4

Attach TP4000 body to wall
Using above bolts.

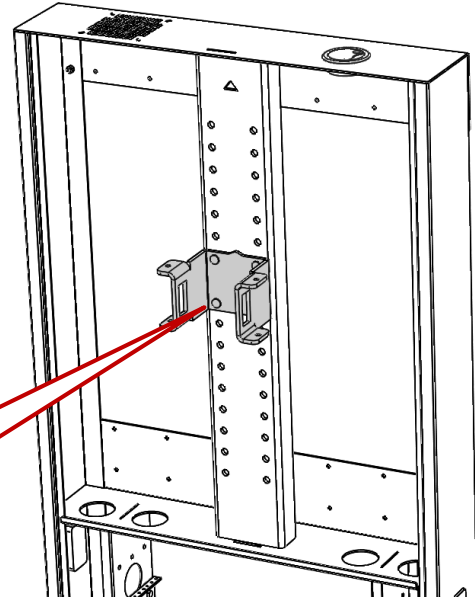
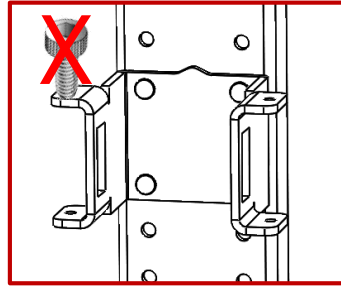


5

Install the tube Bracket.
Height will determine
approx. center of TV height.

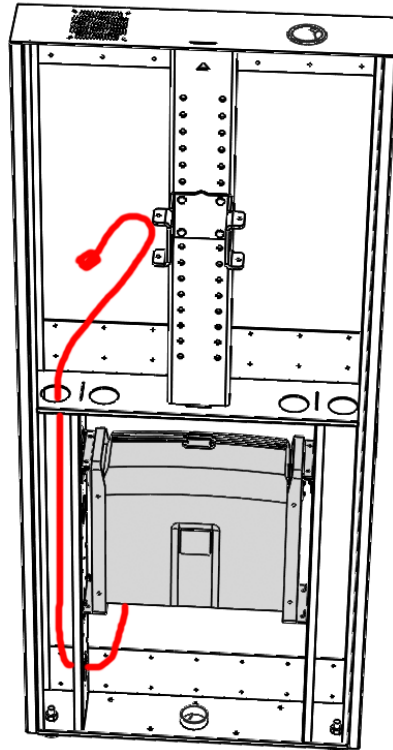


Bump faces up
Remove M8 bolts



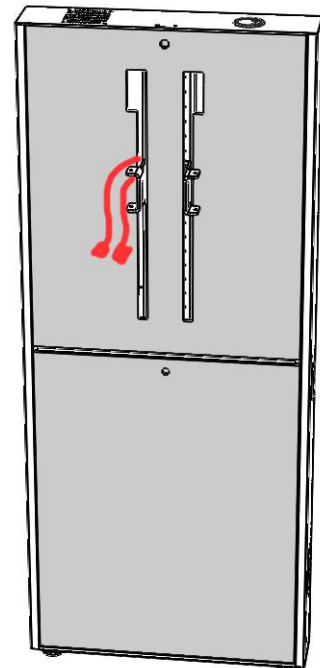
6

Rack mount equipment.
Run wiring/cables.



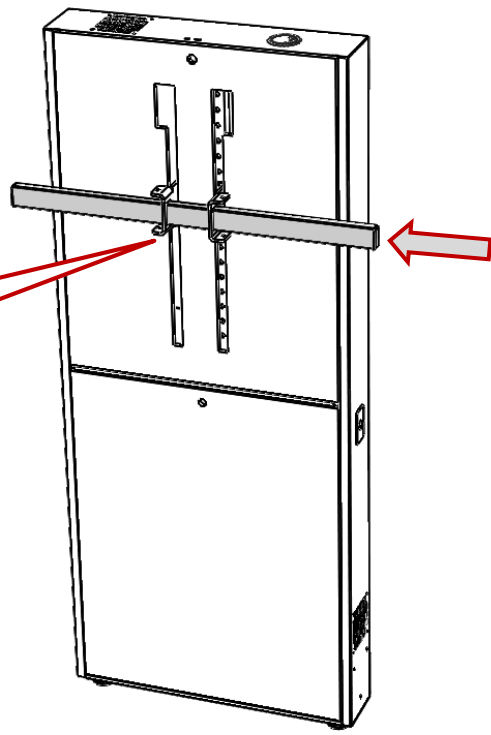
7

Reinstall Panels.



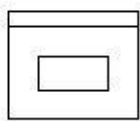
Assembly Instructions

8 Insert tube.
(may be longer than shown)
Attach bolts for leveling.
(removed in step5)
Level tube.

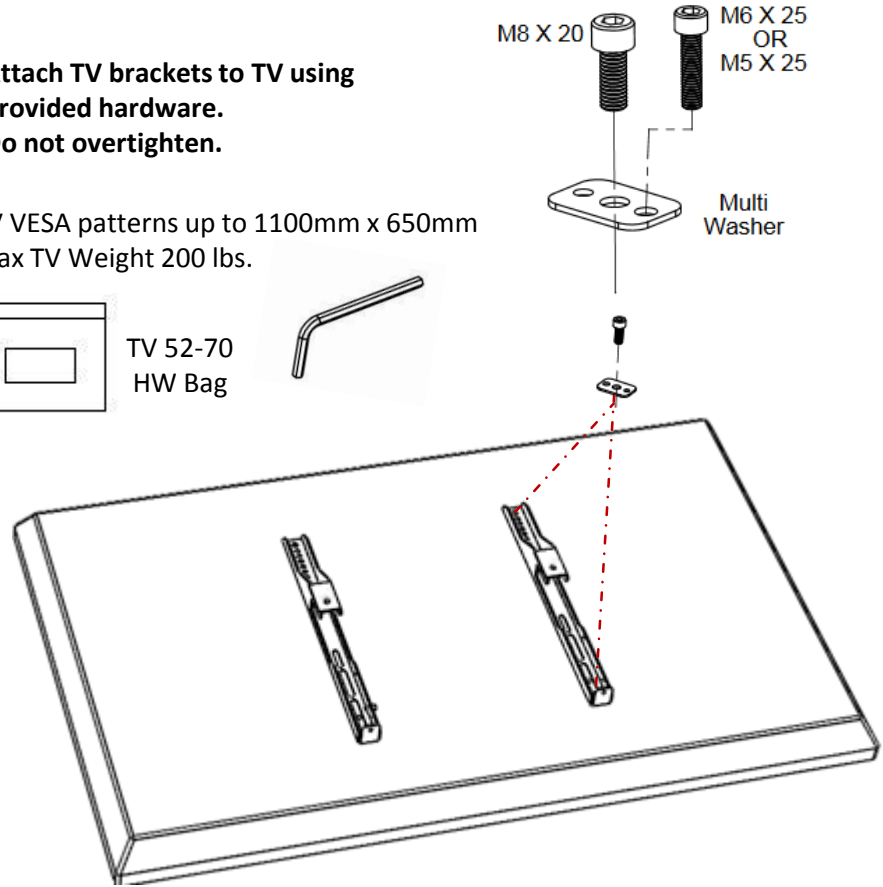


9 Attach TV brackets to TV using
provided hardware.
Do not overtighten.

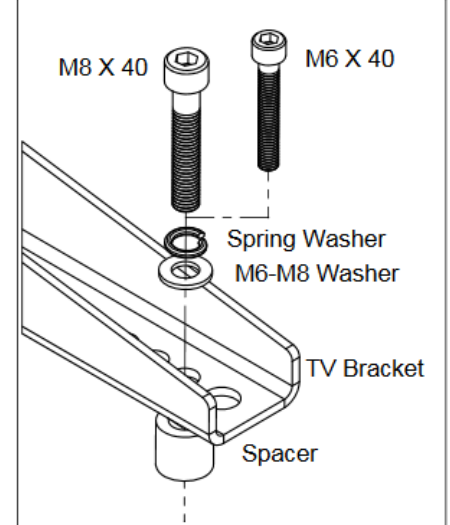
TV VESA patterns up to 1100mm x 650mm
Max TV Weight 200 lbs.



TV 52-70
HW Bag



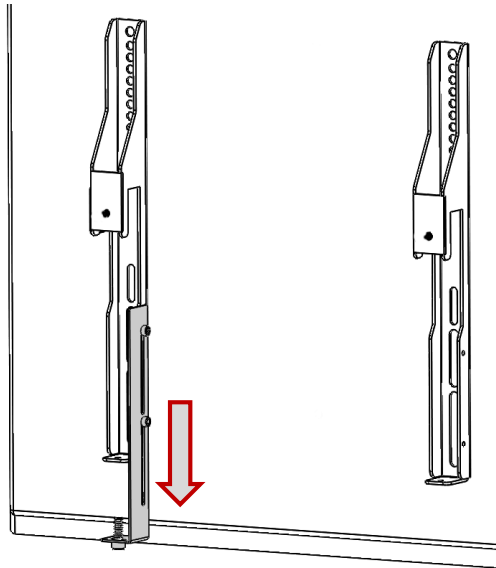
Optional Spacer mounting



Spacer is used when the back of TV is not flat or the mount holes are sunk into the back of the TV. (Rarely used)

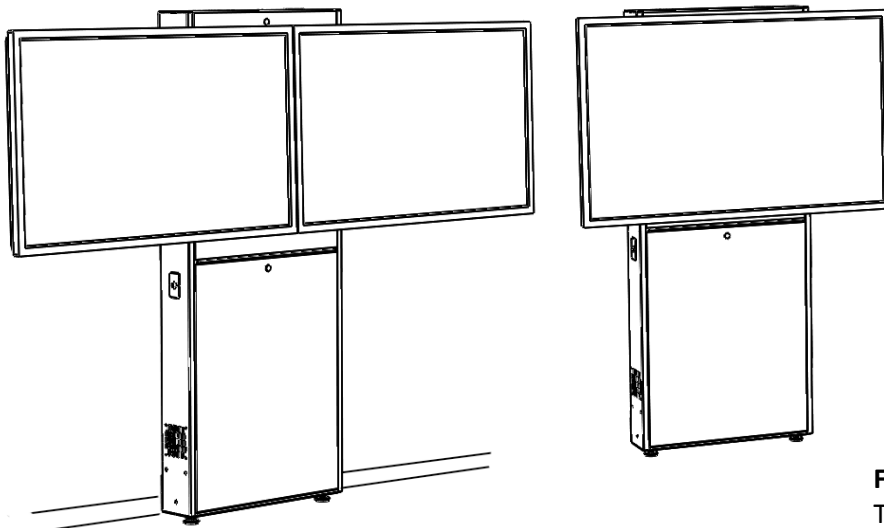
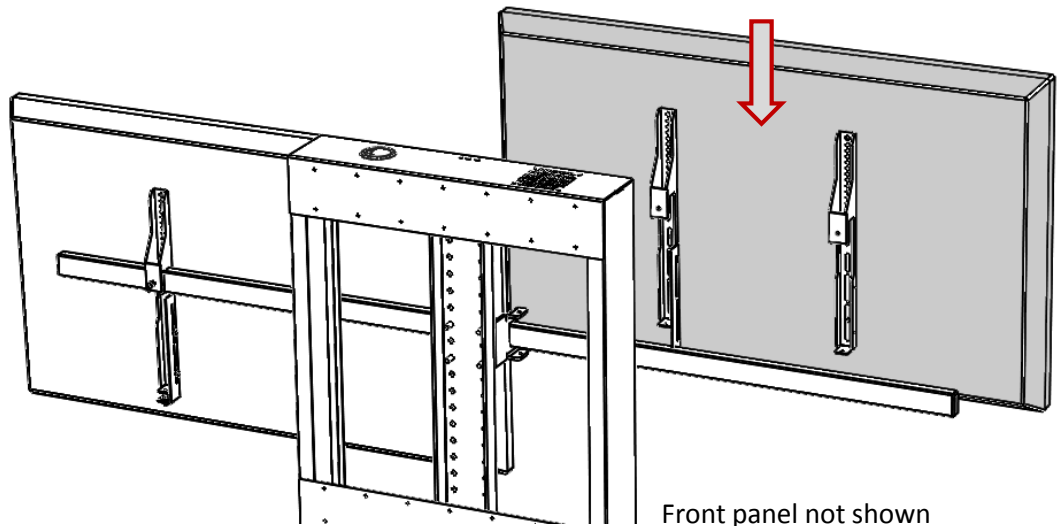
10

Loosen lock by removing bottom M8 bolt. Lower to bottom.



11

A) Hang TV's on tube.
B) Install cables/power.
C) Center and align TV's.
D) Push up lock and tighten from bottom with M8 bolt.



Finished
Thanks for Purchasing AVFI.