

Thank you for purchasing Wall mounted Credenza CR2-WM
This Credenza allows for mounting up to 6U (2x 3U) of rack equipment and a sound bar up against a wall.

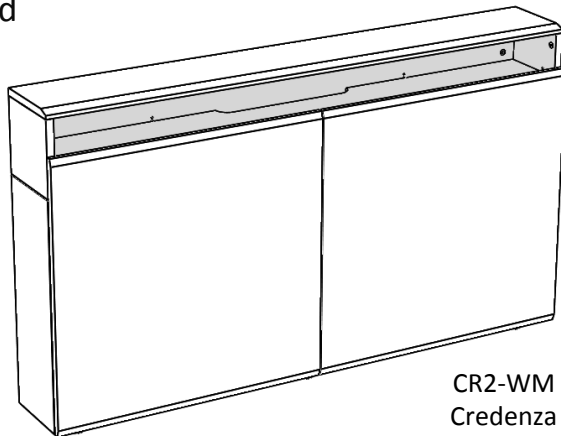
If you cannot understand these instructions or are concerned about safety of the installation
Contact a qualified contractor or contact AVFI at 1-877-834-3876.

Read through entire instructions before beginning assembly.
This assembly will require a minimum of **2 people**.



Parts

Included



CR2-WM
Credenza



Legs
x3



Hardware Bag

Hardware

Included in HW bag.



Washer
x4



Toggle
Anchor
x4



LAG
Shield
x4



HEX
Bolt
x4



LAG Bolt
x4

Tools Required

Not Included



Drill bit set



Drill



Socket set

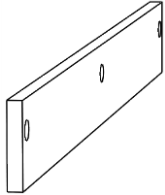


Stud Finder
If Drywall

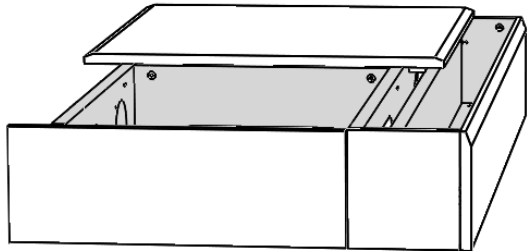
Step 1

Unpack and Lift off front panels.

Discard Shipping Brace.



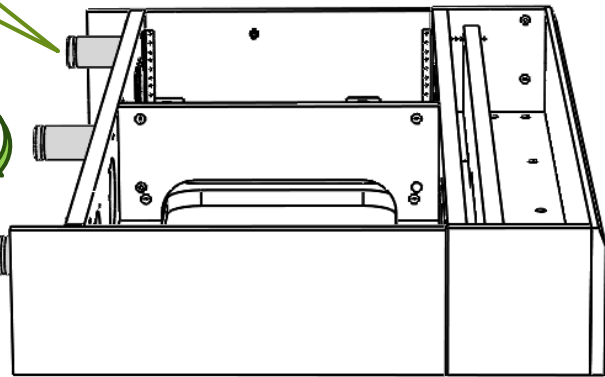
Lift off Panels



Step 2

Attach Legs

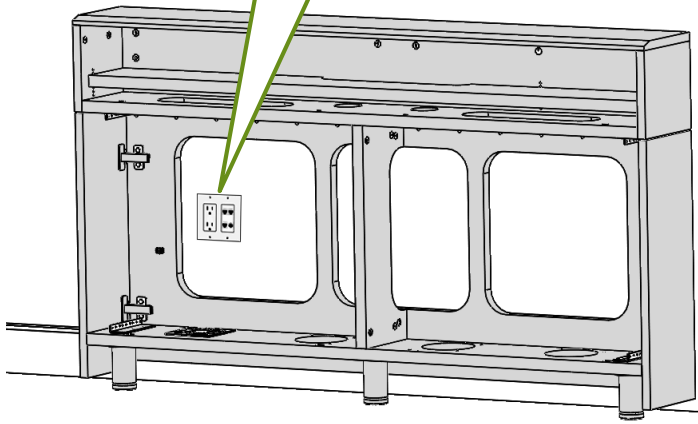
Twist on legs x3



Step 3

Locate mounting points And prepare Wall

Place over an outlet If possible.



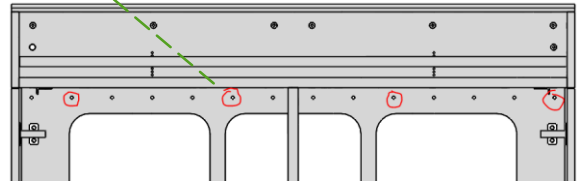
Drywall/Stud wall

Locate studs using stud finder and mark Approx. 23" above floor height. Follow Masonry step below to line up studs.



Masonry wall

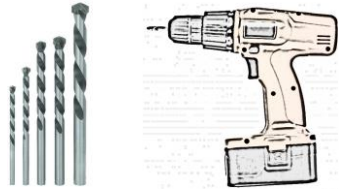
Place CR2-WM against wall at desired location And mark 4 hole locations through holes at Back of unit.



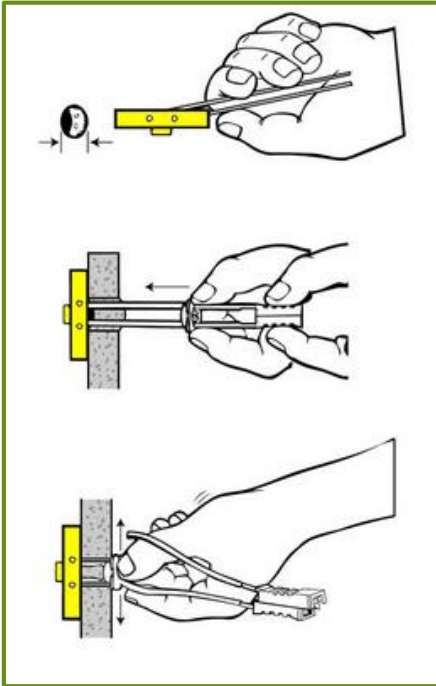
Baseboard trim May need to cut away. Leave Clearance for door.

Step 3 Continued

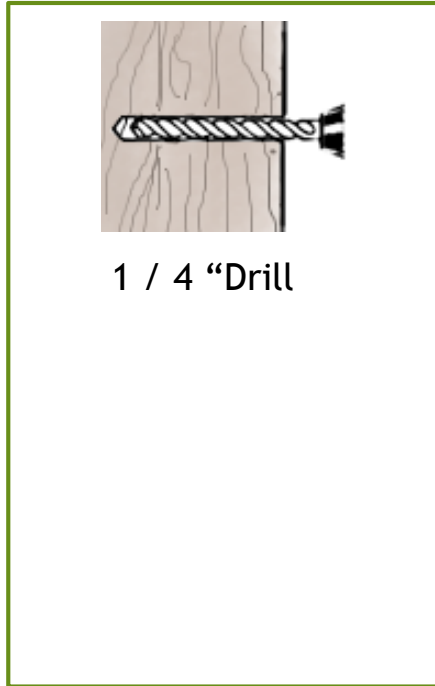
Attach Fasteners to wall



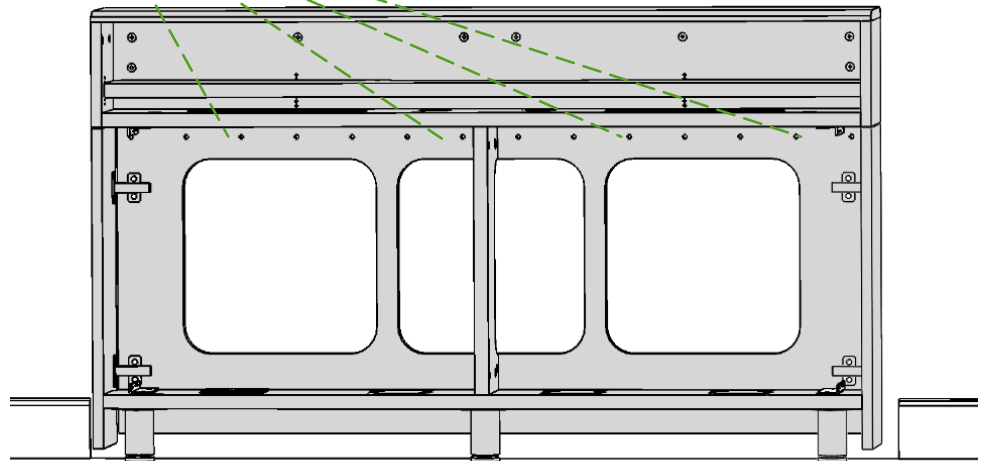
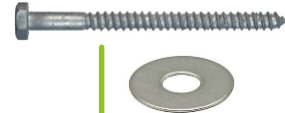
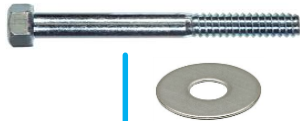
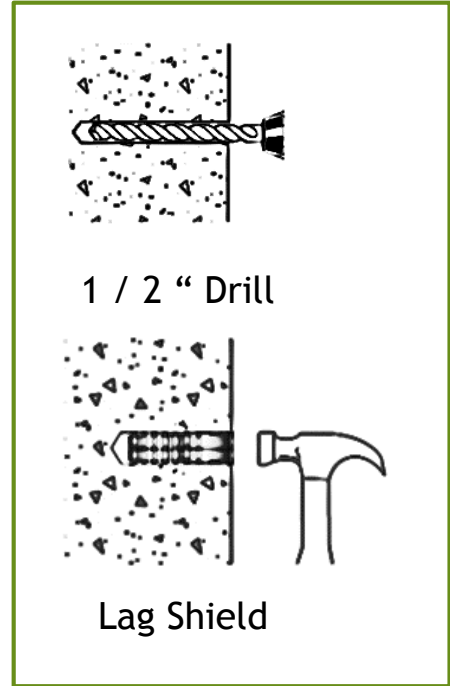
Drywall/steel stud



Wood Stud

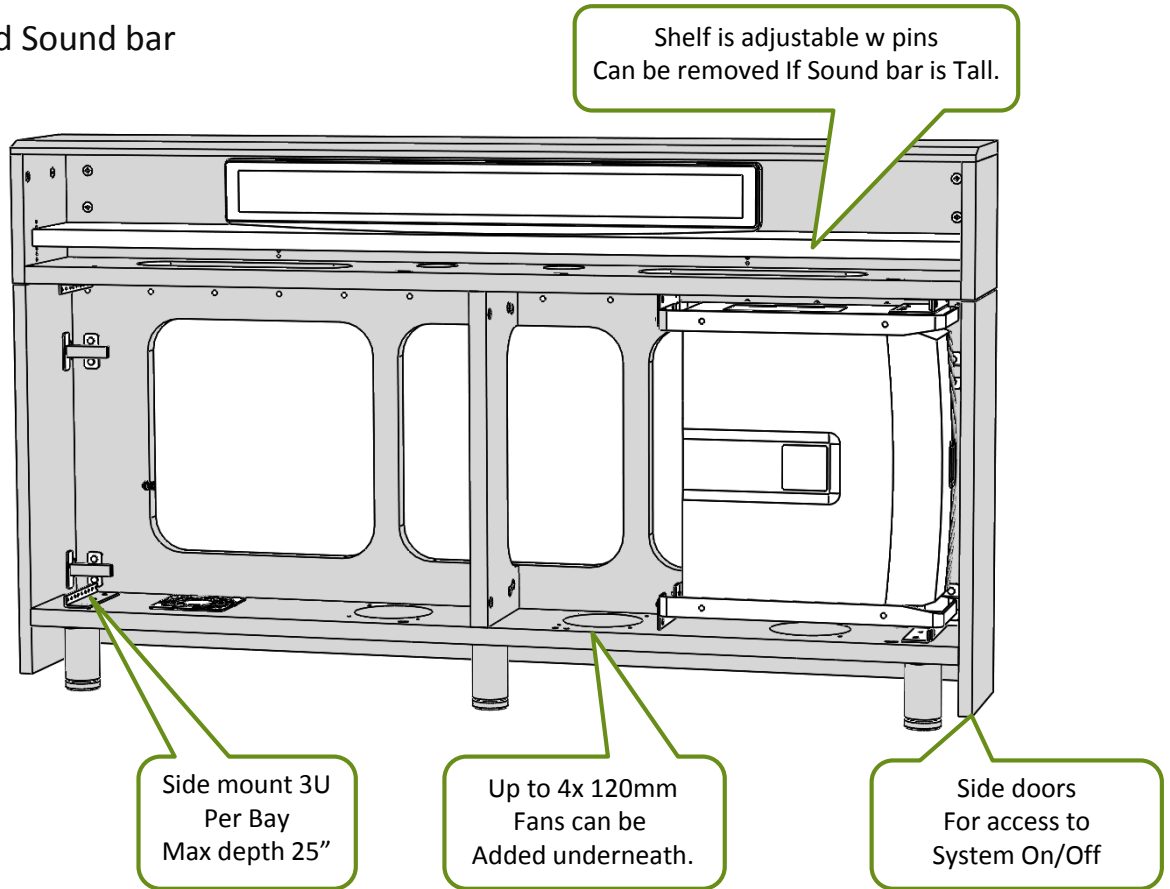


Masonry



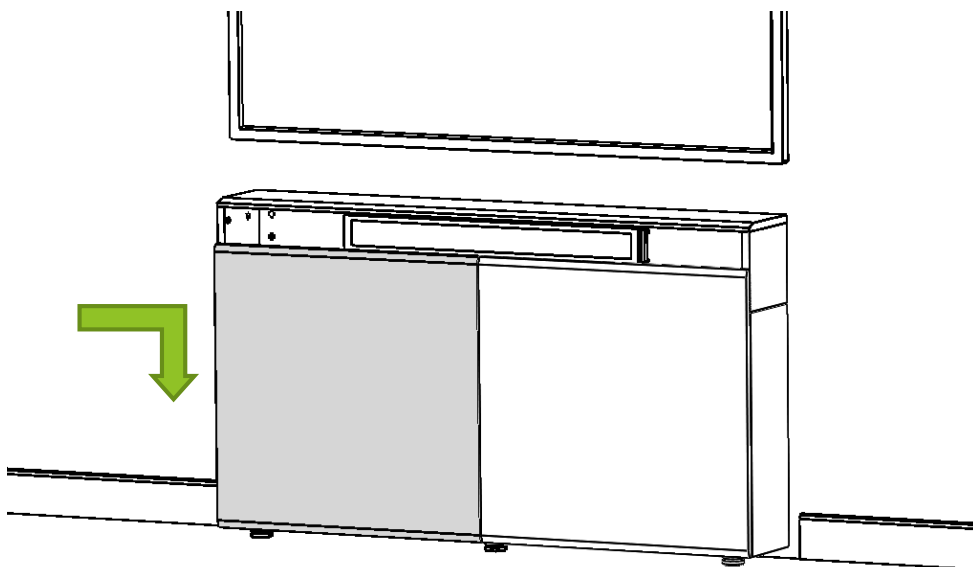
Step 4

Install Equipment and Sound bar



Step 5

Reinstall Panels.



Finished

Thanks for Purchasing AVFI.
Have a great day.