

Date _____
 AVFI Sales REP _____
 Customer Signature _____

Quote No. _____
 Customer No. _____
 AVFI No. _____

Office Use Only

To generate your order form, please refer to the information provided below to insert the alphabetic and/or numeric code in the respective category boxes. Please note that without this filled out Order Form, your purchase **cannot** be processed.

1 Product Model	2 Finish	3 Chargeable Accessories (One Code Per Box)	4 Custom Cutouts
LEX112			

1 Product Model



Code **LEX112**

2 Choose Product Finish - Body

Standard Finishes (Ships within 1-15 business days)



Code **BRT**
(Baroque)



Code **CJT**
(Crossfire Java)



Code **EBT**
(Ebony)

Optional Finishes (Ships within 20 business days)



FMT



HCT



RCT



CLT



ART



ELT



CWT



BAT



SGT

3 Chargeable Accessories (Check all that apply)

- Code **00** No Accessories
- * Code **D1** **MIC-18** MX418 S/C MicrophoneQty _____
- * Code **D2** **LIGHT-18** Gooseneck LightQty _____
- * Code **D3** **FM3** Timer/ClockQty _____
- Code **E1** **PB** 6 Outlet Power BarQty _____
- * Code **E3** **CUB3** Round Cable WellQty _____
- * Code **EA** **CUB4S** Silver Power PanelQty _____
- * Code **EB** **CUB4B** Black Power PanelQty _____
- Code **K1** **C900S** Single Monitor ArmQty _____
- Code **K2** **C900D** Dual Monitor ArmQty _____
- Code **K3** **PLM1022** Monitor MountQty _____

* Cutout Required (Extra Charges will apply)

Comments (Please use this section to provide additional information)

Notes

CAD Drawings/Symbols

CAD drawings are available by request at sales@vegroup.net

Custom Cutouts

Estimated lead time within 20 business days from receipt of P.O. and signed drawings.

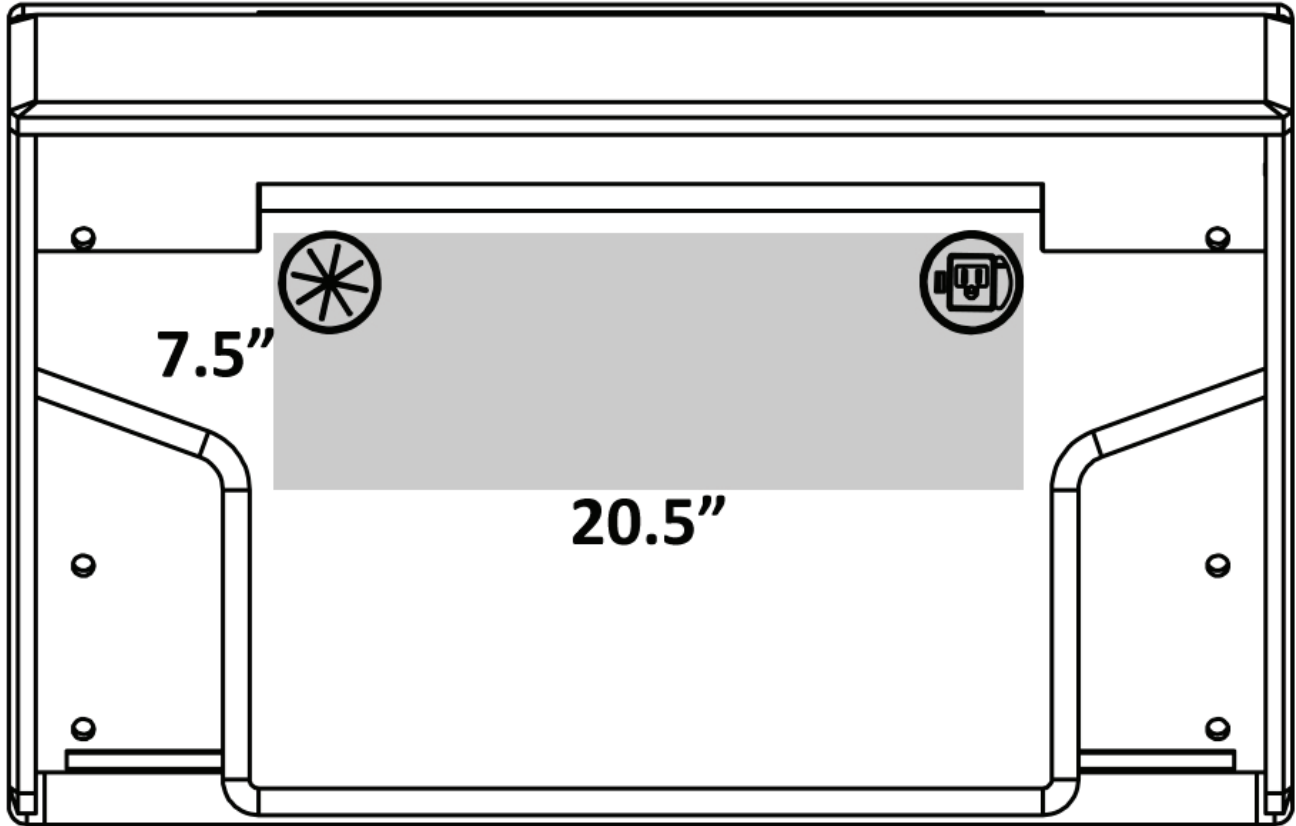
Customizations

Modifications to design such as shape and/or size variations have to be quoted on a per case basis and are applicable for quantities of 10+ only.

Custom Cutout Option on Page 2

Please indicate custom cutout location on the drawing(s) below

4 Custom Cutout Option (Extra charges will apply)



Code **CO** No Custom Cutout

Code **CC** Custom Cutout (Specify on Cutout Area Above)

■ Cutout Area (20.5" W X 7.5" D)