



LEX112 is a presidential lectern that features a 24" X 18" work surface to accommodate lecture notes or a laptop, CUB3 power grommet, inner shelves with wiring channels and 3" casters (2 front are locking). Finished with Shark grey top & base with color choices for main body .

Standard Features

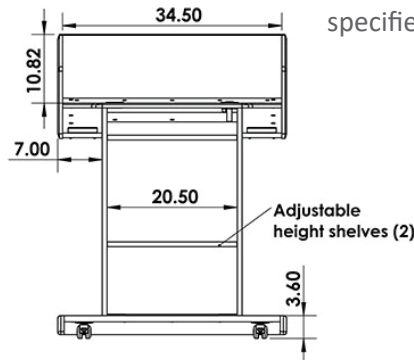
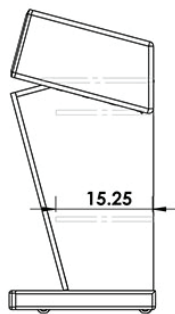
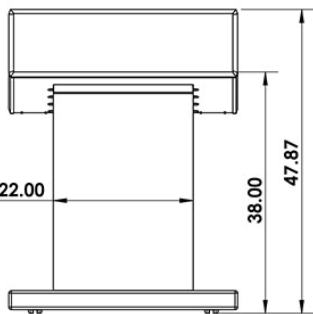
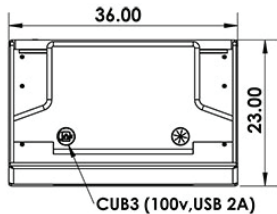
- Large angled 24" x 18" work surface
- Side surfaces for phone charging and presenter storage
- 1x CUB3 grommet with 110V/USB 2Amp and cable pass through
- Cable pass through on each side of the unit
- Height adjustable interior shelves with cable pass through
- 3" casters (2 front are locking)
- Shark grey top and base with color choices for main body
- Logo area dimensions: top (9.25"H x 34.5"W) & body (21"W x 31.5"H)
- Ships assembled



Options

- **CUB3** Round cable well
- **CUB4** Black-B/Silver-S Power Panel
- **PB** Six outlet power bar with 10 ft. cord
- **FM3** Count down timer/clock
- **MIC-18** MX418 S/C Shure Gooseneck microphone
- **LIGHT-18** Littlite Gooseneck
- **C900S** Single adjustable monitor arm
- **C900D** Dual adjustable monitor arm
- **PLM1022** 10" - 24" Monitor mount
- **CUSTOM CUTOUT** Cutouts for electronics or other items specified by the customer

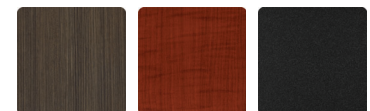
Includes 1x CUB3 Round Power Grommet (not shown on image)



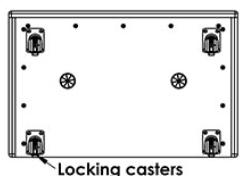
Specifications

Model: LEX112
Width: 36"
Depth: 23"
Height: 48-7/8"

Finishes



Other finishes are available with a longer lead time. Please check website.



Locking casters

The information contained in this drawing is the sole property of Audio Visual Furniture International. Any reproduction in part or as a whole without the written permission of Audio Visual Furniture International is prohibited. AVFI can build or modify stock configurations to suit customer specifications. Please contact us to discuss how this service can help meet your needs. Some quantity restrictions may apply. Specification subject to change without notice. Computers, cameras, monitors, etc. are shown to illustrate product usage and are not included unless otherwise noted.