



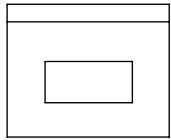
# PM-XFL-LIFT

## Assembly and Mounting Instructions

Thank you for purchasing AVFI's adjustable height mobile stand. This product is designed for free standing mounting of single plasma/lcd display sized 52-90" or SMART interactive displays weighing 265lbs or less. (Min 400x200mm VESA mounting pattern)

**Note:** Keep your original packaging until assembly is complete. Two persons are required to attach display to this mount. If you cannot understand these instructions or are concerned about safety of the installation. Contact a qualified contractor or contact AVFI at 1-877-834-3876.

### Supplied Parts:



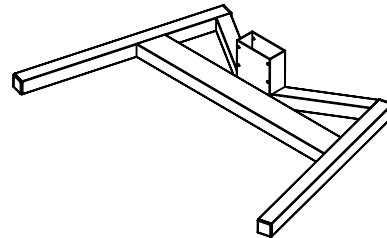
Hardware Bag



TV Bracket  
(2)qty



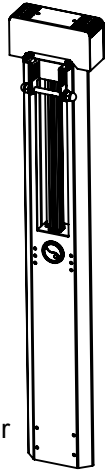
Tube  
(1)qty



Base  
(1)qty



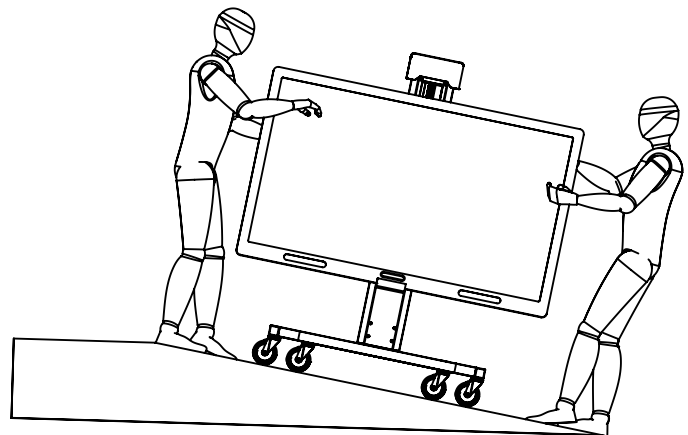
5" Casters  
(2) W brakes  
(2) no brakes



Lift Pillar  
(1)qty

### WARNINGS:

1. Lower to bottom position before moving.
2. Always have 2 Adults move the stand.
3. Do not exceed a 10 degree slope
4. Always travel width wise for stability (shown)
5. Lock brakes at all times other than moving.
6. For indoor use only
7. Do not leave unattended around children.
8. Do not add additional weight or items to the lift or TV without approval from VFI .



Cut out and stick to TV Bezel.

### AUDIO VISUAL FURNITURE INTERNATIONAL

288 Don Hillock Drive, Aurora Ontario L4G 0G9 www.video-furn.com  
Toll Free: 1-877-834-3876 Fax: 905-751-1488 Local: 905-751-1459

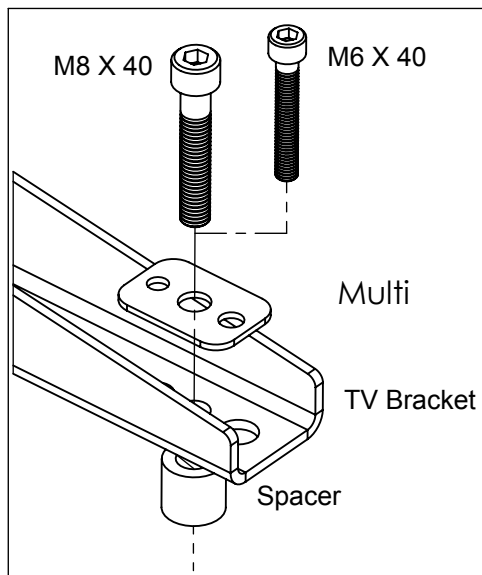
# Step 1

1. Place TV or SMART board interactive display face down on blanket or non abrasive surface such as cardboard.
2. Check to see if your TV came with mounting hardware or not. If not, we have supplied the most common hardware. Most displays under 42" will use the M6 bolt. Most 42"+ will use the M8 bolts. See which bolt length you need by hand tightening only.
3. Place TV brackets so you can see the TV mounting holes through the bracket and insert bolt through a multi washer.
4. Use the Hex key to tighten until there is resistance, then give a half turn.  
**DO NOT OVERTIGHTEN AS THIS CAN DAMAGE OR PUNCTURE THE TV**

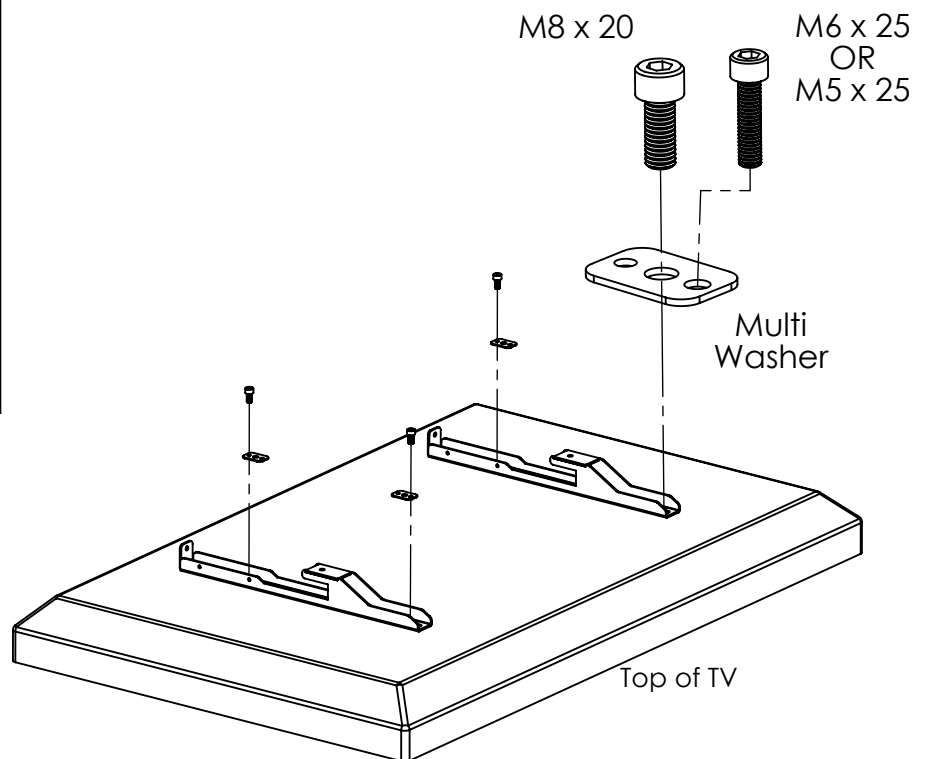
**Notes.**

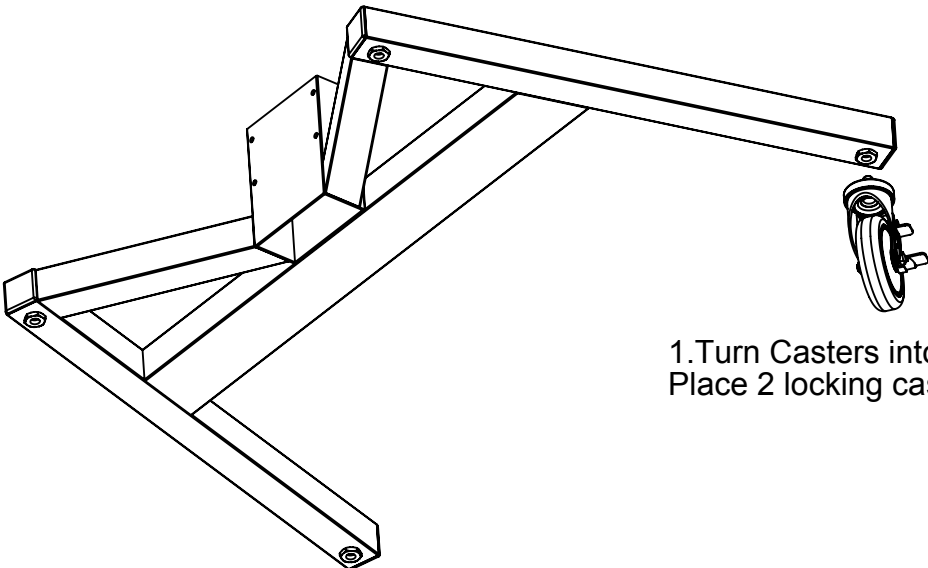
- Have 2 people lift the TV as it can be very heavy and awkward.
- As some TV's require non standard hardware, this bracket was made to accomodate up to M10 bolts which can be found at your local hardware store along with longer versions of the included hardware.

Optional Spacer mounting

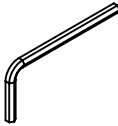
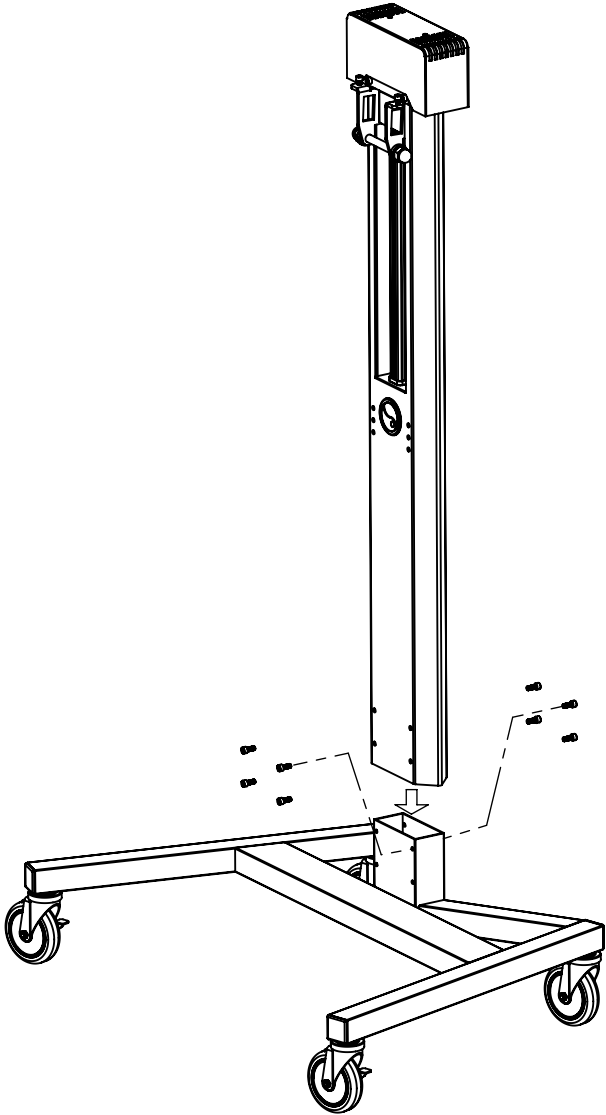


Spacer is used when the back of TV is not flat or the mount holes are sunk into the back of the TV. (Rarely used)



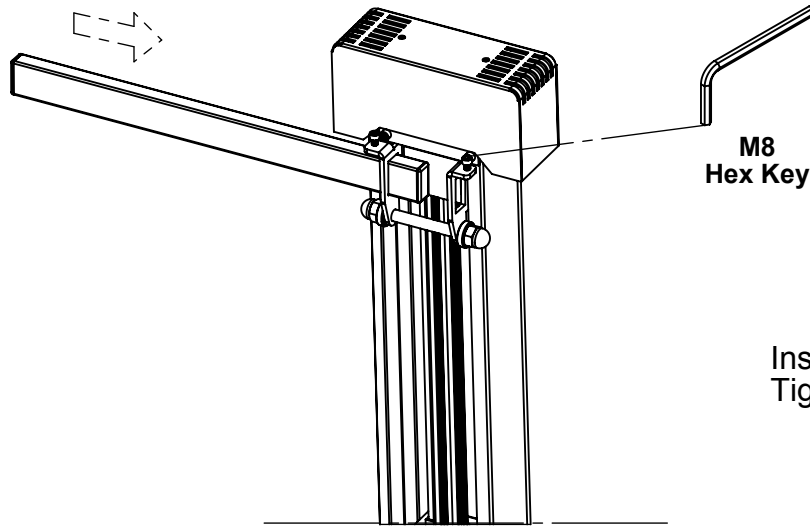


1. Turn Casters into threads on base.  
Place 2 locking caster in front.



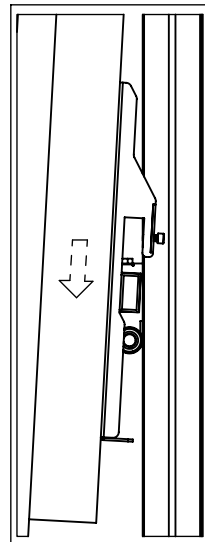
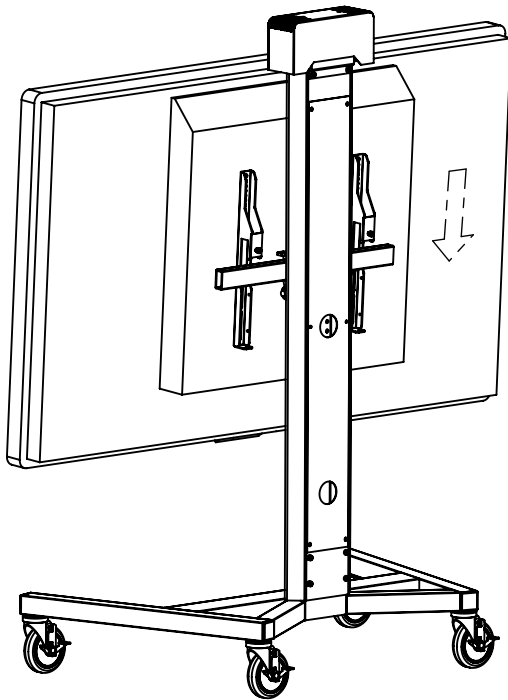
M8  
Hex Key

2. Insert main spine column onto base.  
Hand tighten all eight M8x20 bolts before  
securely tightening with hex key.



Insert tube and Center.  
Tighten M8 bolts with Hex key.

# Step 4 Hanging TV or SMART interactive display.



## (Min 2 People required)

- 1) Plug lift in to wall outlet. Lock wheels on stand and lower lift to bottom position.
- 2) Slide TV with attached brackets onto the installed Tube.
- 3) Center TV
- 4) Secure in place by tightening the M8 bolts on the back of each TV bracket.
- 5) Check operation and cable clearances in top and bottom position.

You're Done.