

**AUDIO VISUAL
FURNITURE
International**

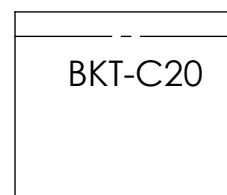
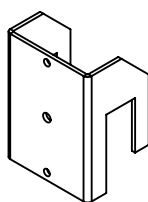
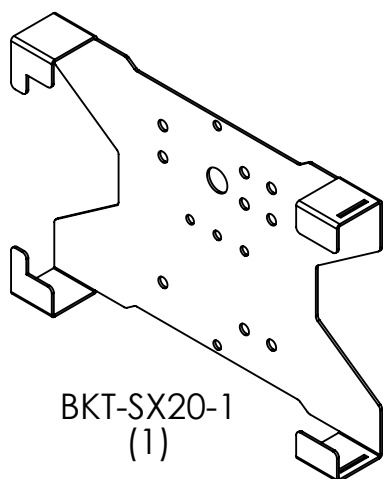
BKT-SX20 Codec Bracket

Assembly and Setup Instructions

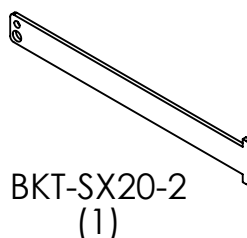
Note: If you cannot understand these instructions or are concerned about safety of the installation Contact a qualified contractor or contact AVFI at 1-877-834-3876.

Confirm all hardware is included before you begin assembly.
Not all hardware supplied will be used depending on mounting configuration.

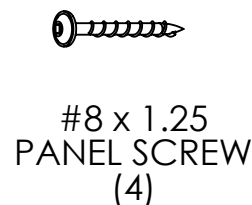
SUPPLIED PARTS



HARDWARE
BAG (1)



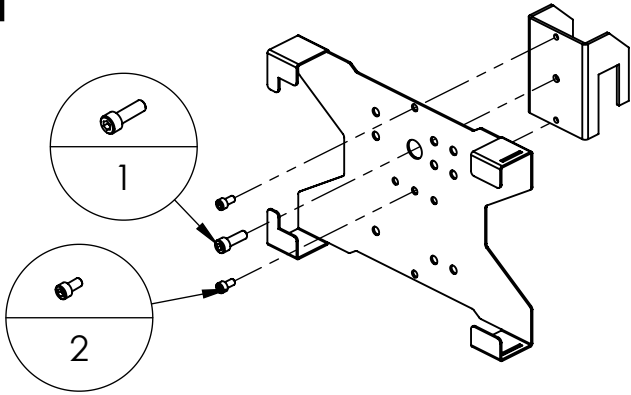
SUPPLIED HARDWARE (BKT-C20 Hardware bag)



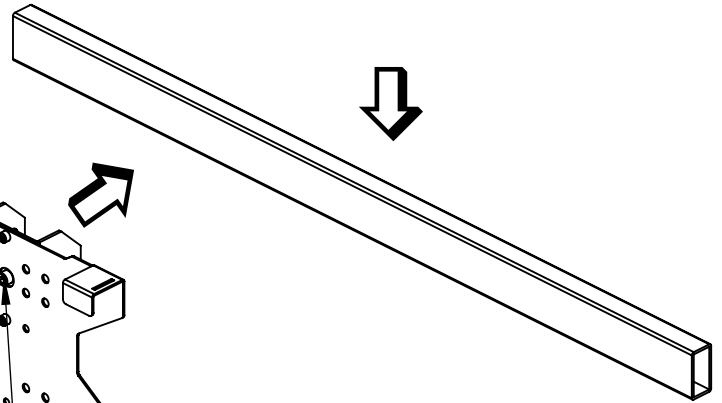
AUDIO VISUAL FURNITURE INTERNATIONAL

288 Don Hillock Drive, Aurora, Ontario L4G 0G9 www.video-furn.com
Toll Free: 1-877-834-3876 Fax: 1-905-751-1488 Local: 905-751-1459

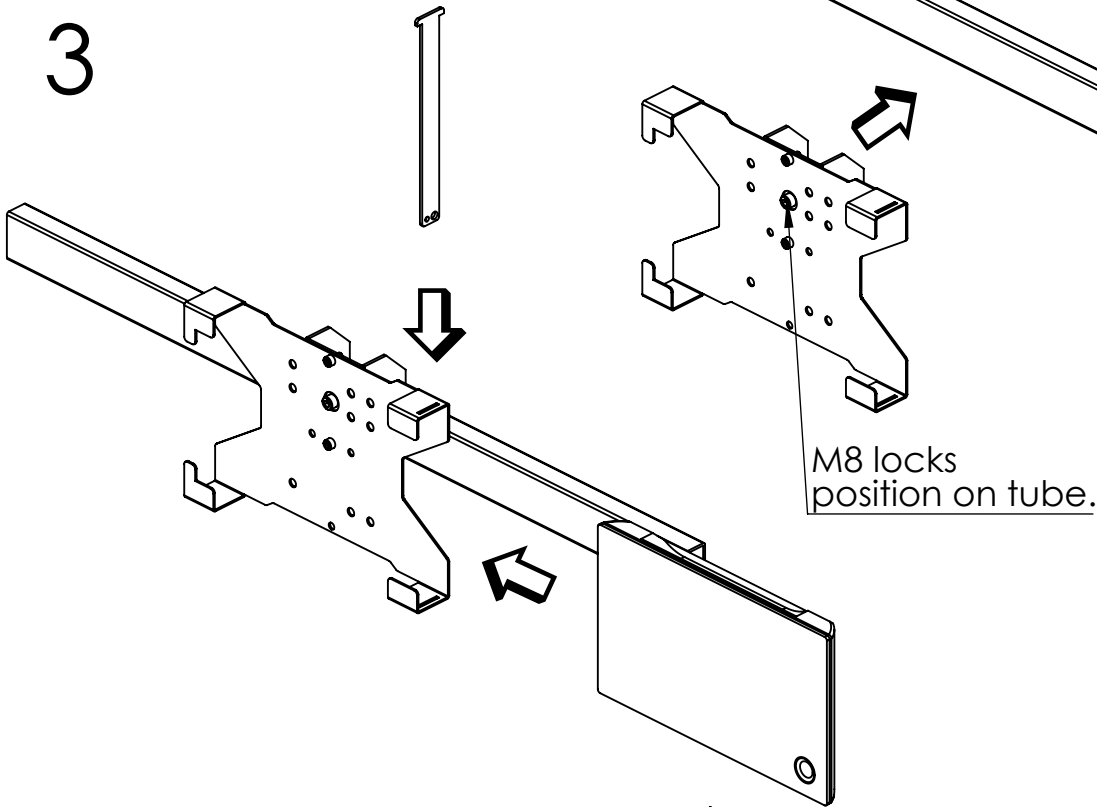
1



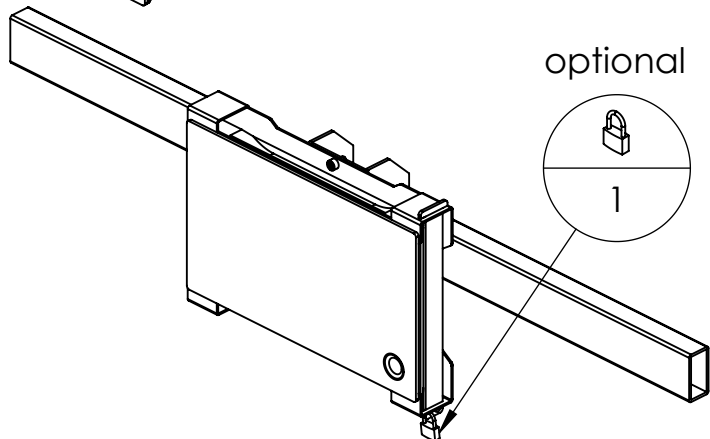
2

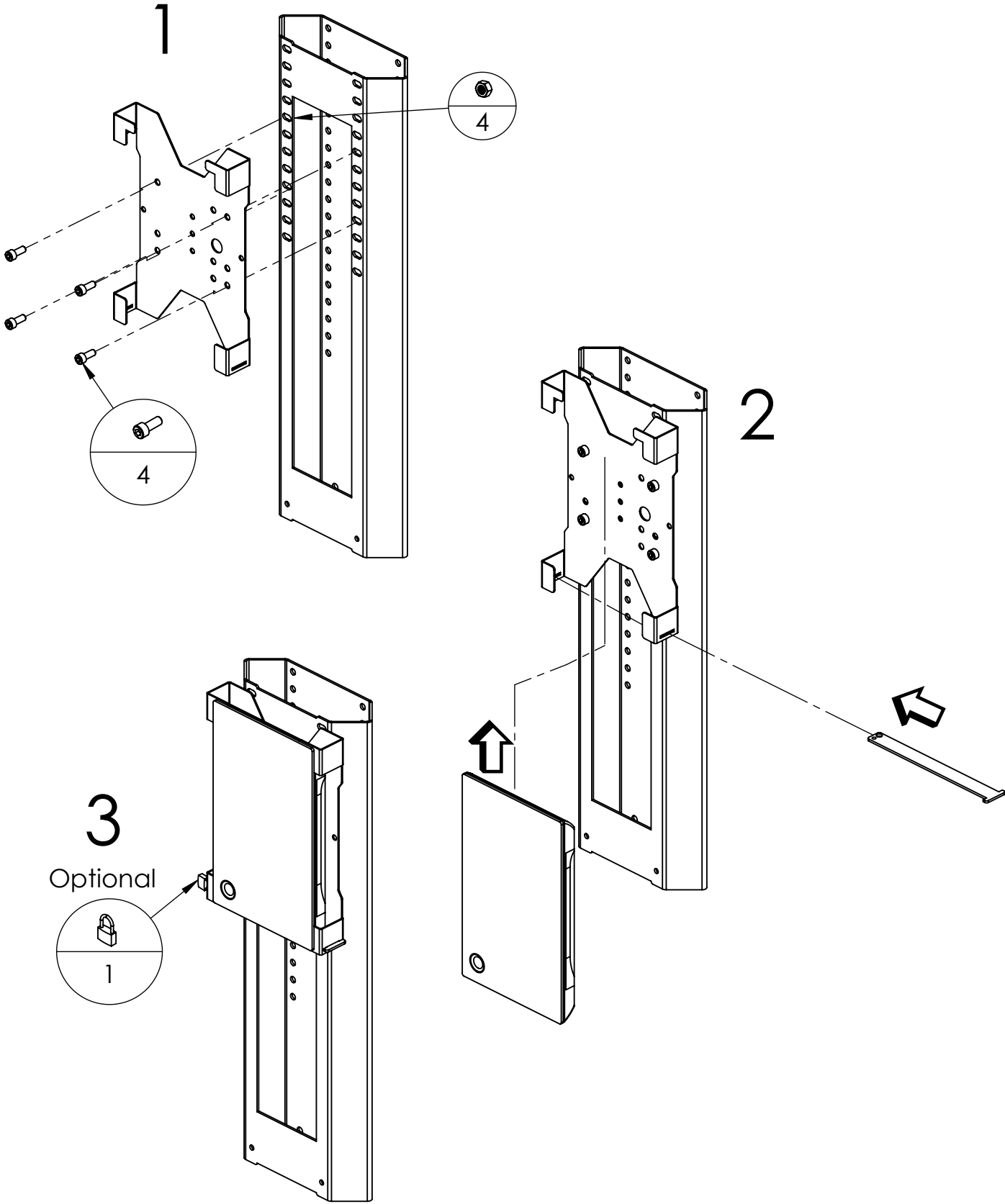


3

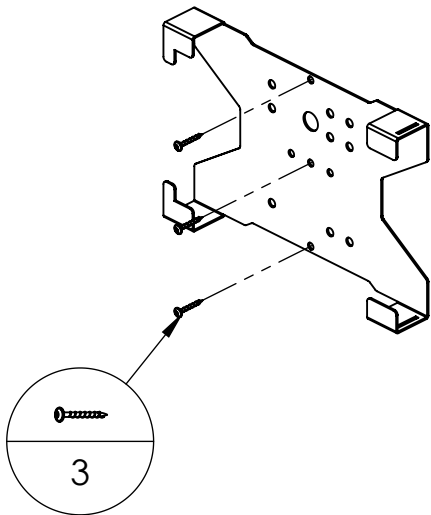


4



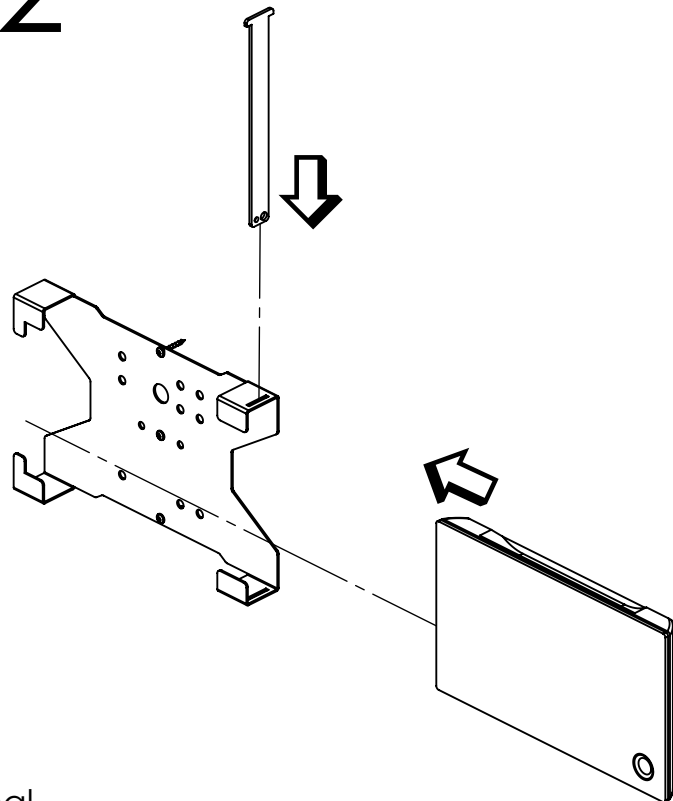


1

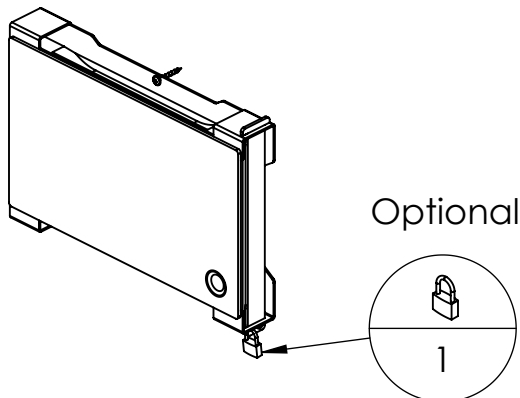


LOCATE A CENTRAL STUD
OR IF NEEDED
USE WALL GROMMETS

2



3



END.