

## Assembly and mounting Instructions

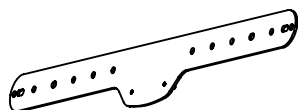
Thank you for purchasing AVFI's TVCB camera mounting system. This product was designed for tabletop and wall mounting of a video conferencing camera to 32- 60" TV's.

**Note:** If you cannot understand these instructions or are concerned about safety of the installation Contact a qualified contractor or contact AVFI at 1-877-834-3876.

Confirm all hardware is included before you begin assembly.  
Not all hardware supplied will be used depending on the manufacturer of your display/s.

### Supplied Parts:

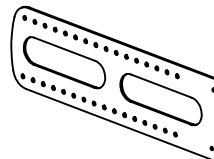
Hardware Bag:  
**TVCB**  
Rev 2



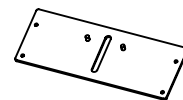
TV-Bracket



Camera plate

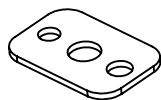


Camera Neck



Wide Camera plate

### Supplied Hardware:



Multiwasher (2)



10-32 Nut (6)



Washers (6)



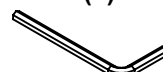
1/4-20 x 3/8" (1)



M3 x 8 (4x)



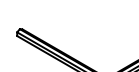
M8 x 20 (2)



8mm Hex Key (1)



M6 x 20 (2)



6mm Hex Key (1)

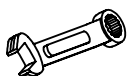


M5 x 20 (2)

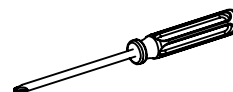


5mm Hex Key (1)

### Tools required:



3/8" Wrench or Socket

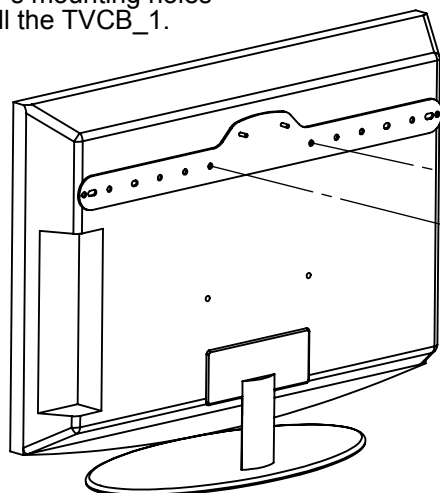


Phillips Screwdriver

## Attaching to Desktop TV

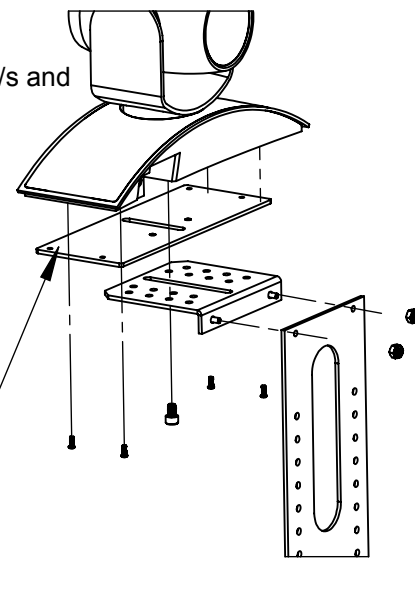
### Step 1

Use the set of provided bolts (M5, M6, M8) that matches your TV's mounting holes to install the TVCB\_1.

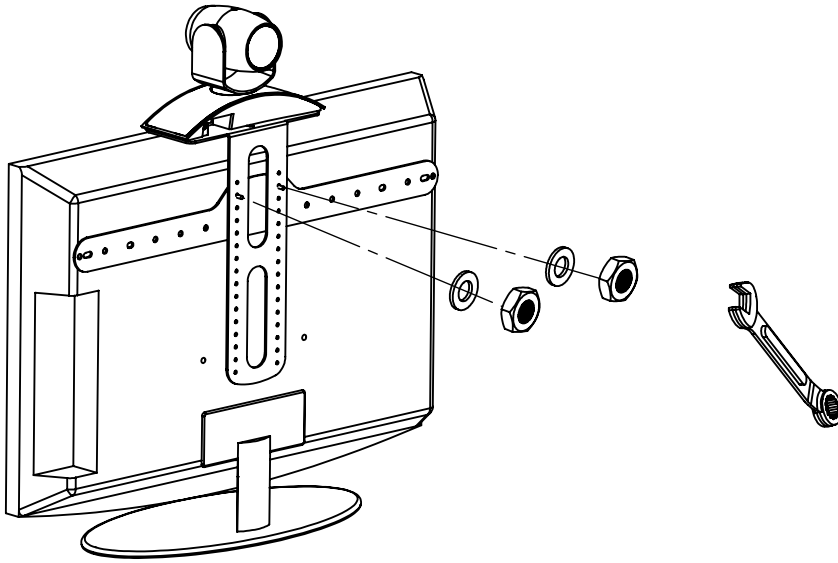


### Step 2

Use the included 10-32 nuts to assemble the camera plate/s and neck. Use the provided 1/4-20 or M3 bolts to secure the video conferencing camera. (Method will vary depending on camera)



Wide Bracket (optional)



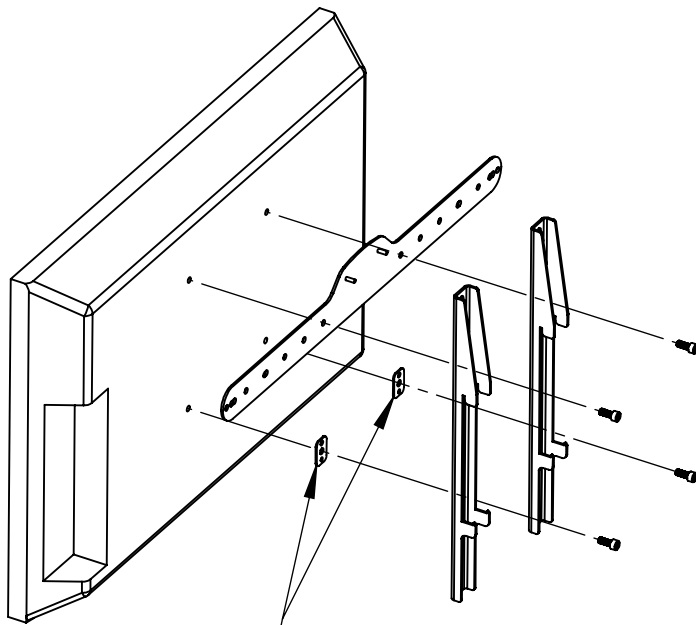
### Step 3

Set the TVCB\_2 to a desired height using the location holes. Secure it into place with the provided 10-32 nuts.

## Attaching to Wall Mount

### Step A

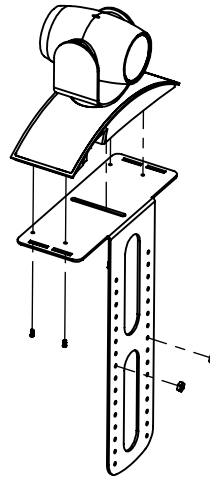
Use the provided multiwashers and bolts to attach the TVCB and wall mount brackets to the TV.



Use provided multiwashers to level the wall bracket with the TVCB.

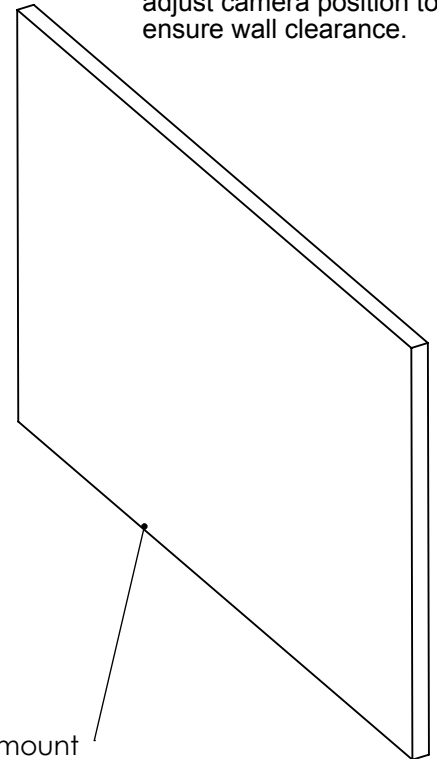
### Step B

Next, follow previous steps 2 and 3 to install the camera mount and video conferencing camera.



### Step C

Hang assembled unit onto wall mount. If necessary, adjust camera position to ensure wall clearance.



Wall mount from any manufacturer

Your Done!

### AUDIO VIDEO FURNITURE INTERNATIONAL