

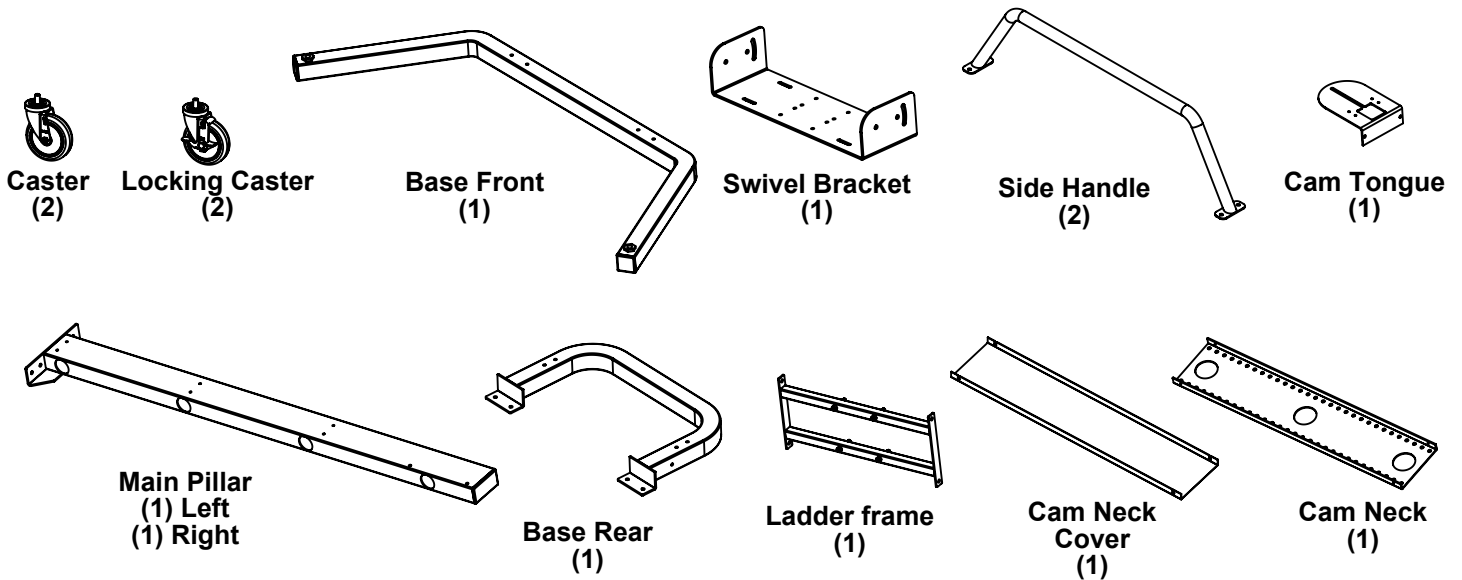
Assembly and Instructions

Thank you for purchasing VFI's XLD display mounting system.
This product was designed for mobile mounting of a single flatscreen TV sized 52-70"
or dual flatscreens sized 32-52" with appropriate bracket kit.
Some larger TV's will fit, Download TV manufacturers specs online,
Max hole locations are 1100mm w x 650mm h single or 700mm w x 440mm h for duals.

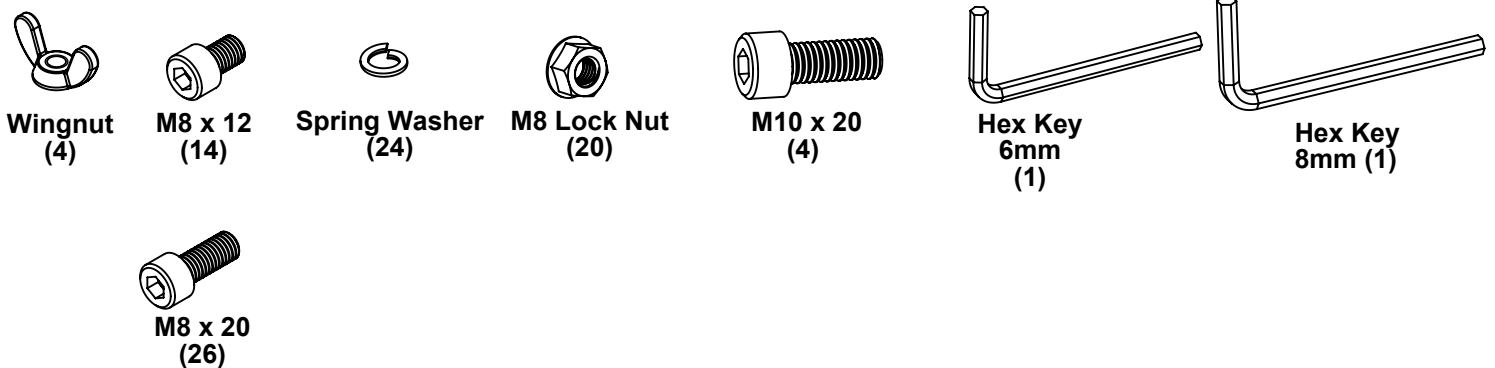
Note: 2 persons are required to attach plasma/lcd TV's to this mount.
If you cannot understand these instructions or are concerned about the safety of the installation
Contact a qualified contractor or contact VFI at 1-877-834-3876.

Confirm all parts are included before you begin assembly.
Not all hardware supplied will be used depending on the manufacturer of your display/s.
Read these instructions start to finish before beginning installation.

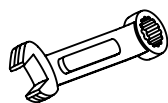
Supplied Parts: (TV brackets are in another box)



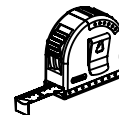
Supplied Hardware: XLD BAG



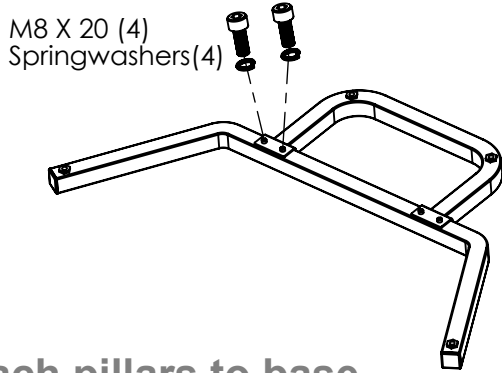
Tools required: (not supplied)



Wrench or Socket (2)
9/16inch
13mm

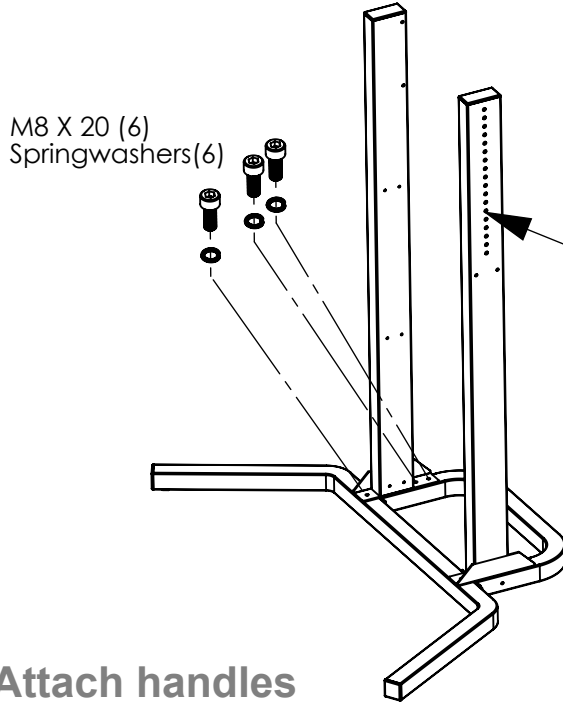


Tape Measure



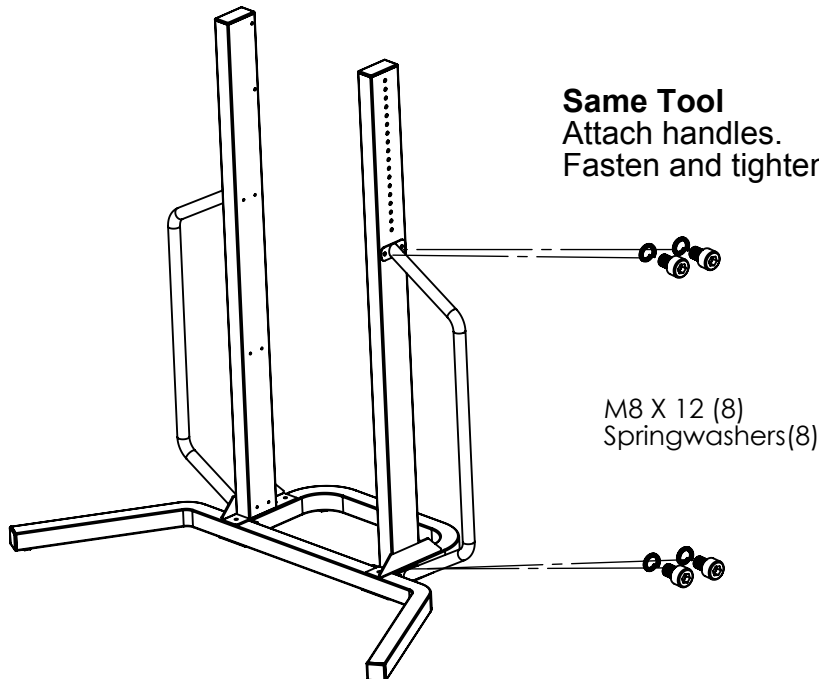
Using included Hex key and smallest of the M8 bolts Loosely fasten all four bolts. Do not tighten till end of step 2.

Step 2 Attach pillars to base



Same Tool and Bolts
Fasten and tighten all 6 bolts. Flip over and tighten Step 1 Bolts.

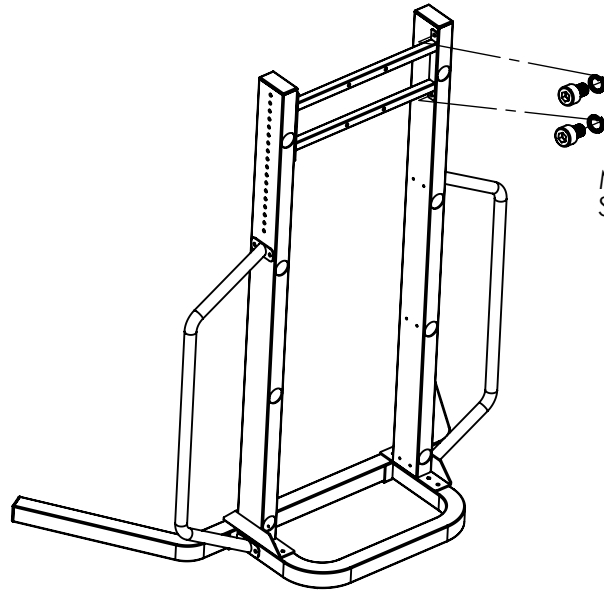
Step 3 Attach handles



Same Tool
Attach handles. Fasten and tighten all 8 bolts.



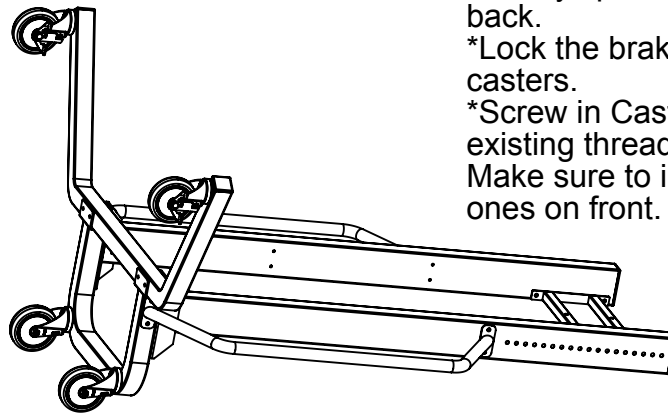
6mm Hex Key



Same Tool and Bolts
Insert Ladder frame.
Fasten and tighten all 4 bolts.

M8 X 12 (4)
Springwashers(4)

Step 5 Screw in Casters

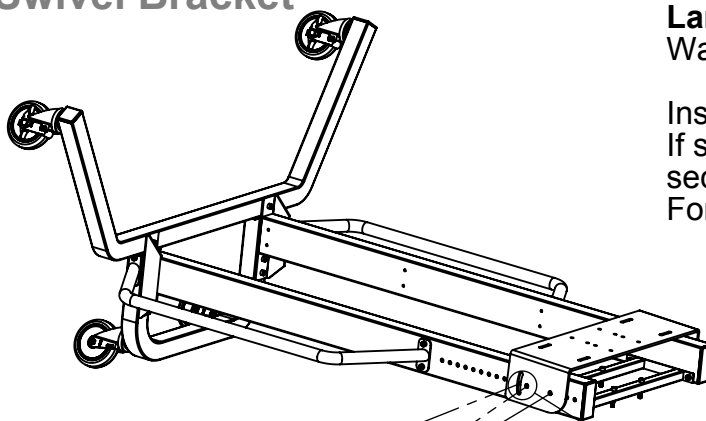


*Gently tip the frame on its back.
*Lock the brakes on the casters.
*Screw in Casters into existing threads.
Make sure to install braking ones on front.

Step 6 Attach Swivel Bracket



8mm Hex Key

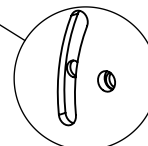


Largest Hex key and M10 bolts.
Warning: This part is heavy.

Insert top bolt first.
If swivel setup is going to be used, insert second bolt through slotted hole.
For no swivel, use other bolt hole.

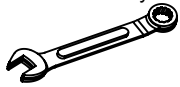
Note:
Swivel setup is meant for

M10 X 20 (4)





6mm Hex Key

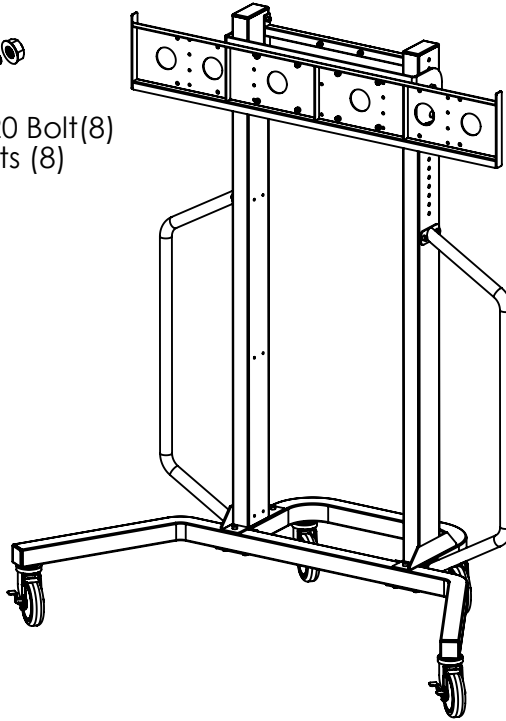


13mm Wrench

(TV brackets are sold separately)



M8 X 20 Bolt (8)
M8 Nuts (8)

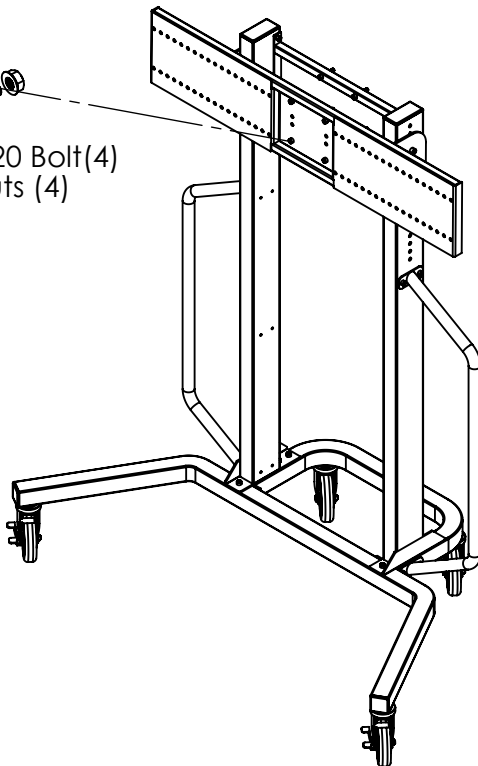


Adding a XLD-XL Bracket

Adding a XLD-D Bracket



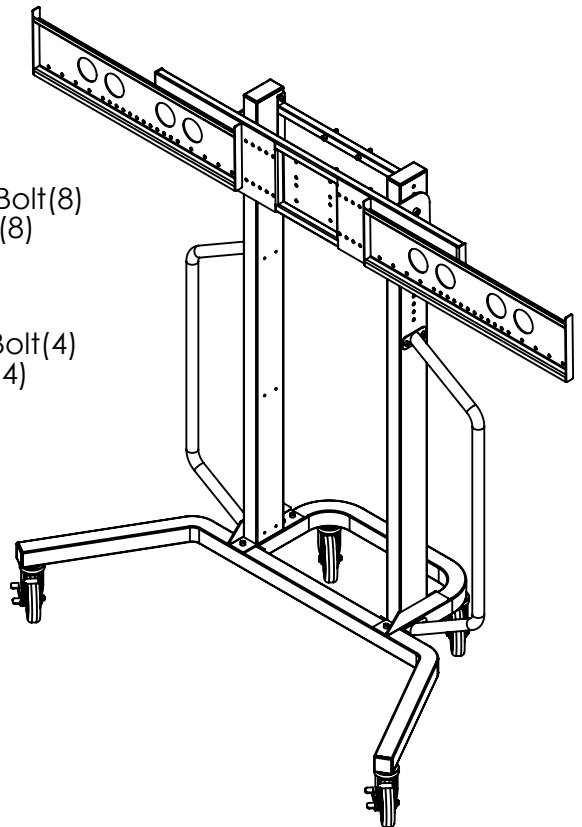
M8 X 20 Bolt (4)
M8 Nuts (4)



M8 X 20 Bolt (8)
M8 Nuts (8)



M8 X 45 Bolt (4)
M8 Nuts (4)

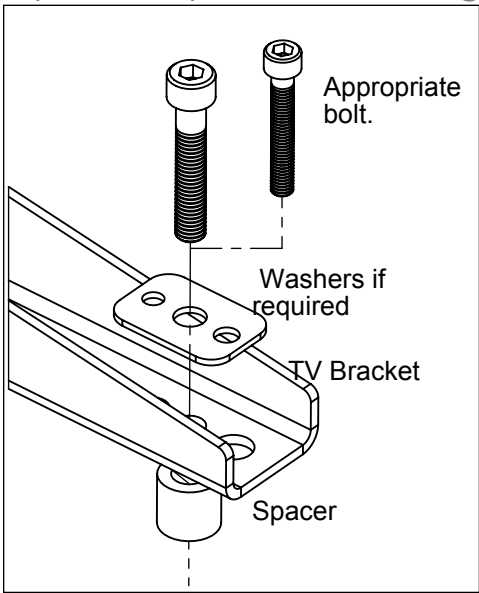




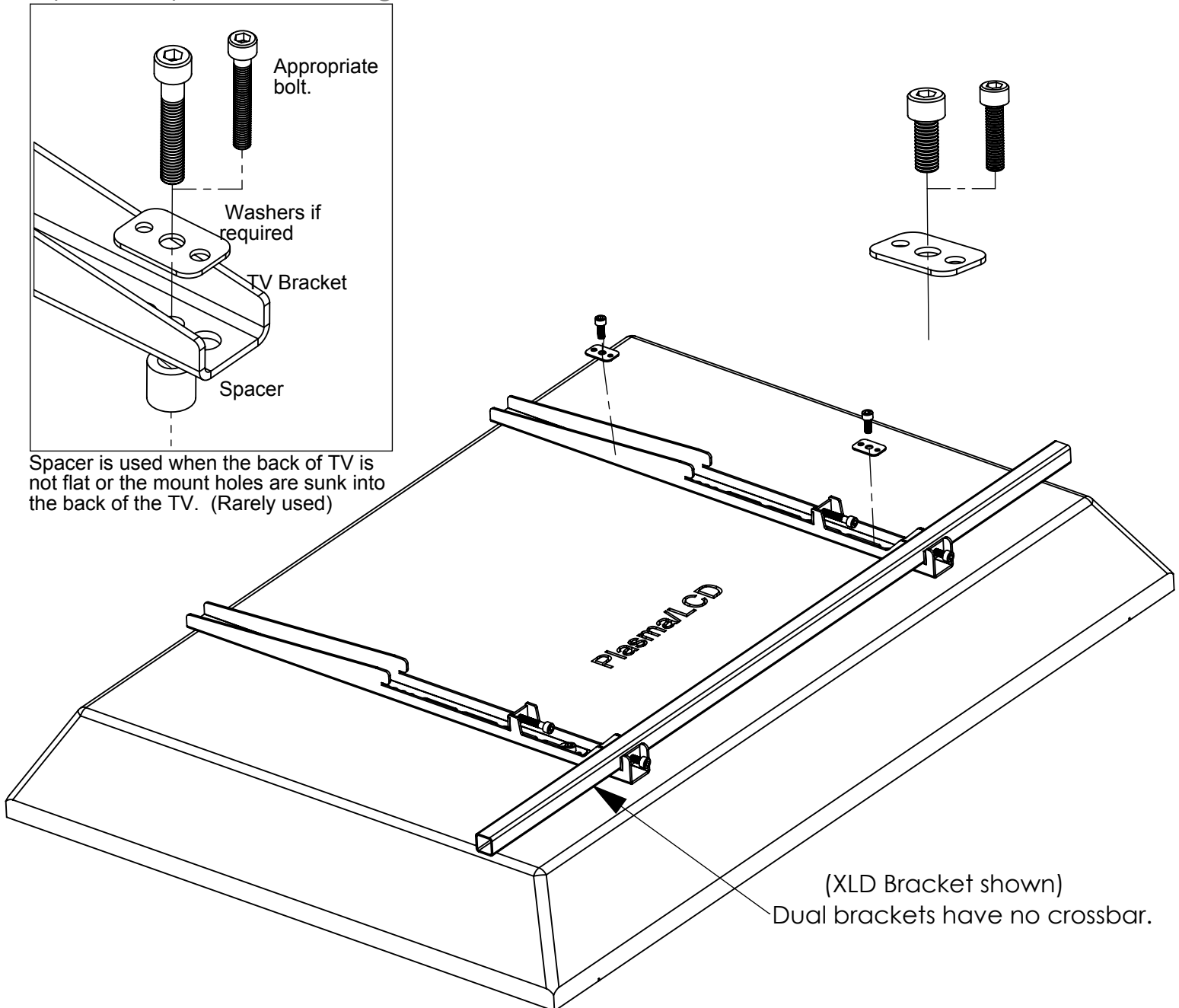
Note. Have 2 people lift the TV as it can be very heavy and awkward.

1. Place TV face down on blanket or non abrasive surface such as cardboard.
2. Check to see if your TV came with mounting hardware. If not, we have supplied the most common hardware. Most TV manuals list the required thread and depth for mounting hardware. See which bolt length you need by hand tightening only.
3. Place TV brackets so you can see the TV mounting holes through the bracket and insert bolt through appropriate washer and spring washer for depth adjustment.
4. Use the Hex key to tighten until there is resistance, then give a half turn.
DO NOT OVERTIGHTEN AS THIS CAN DAMAGE OR PUNCTURE THE TV

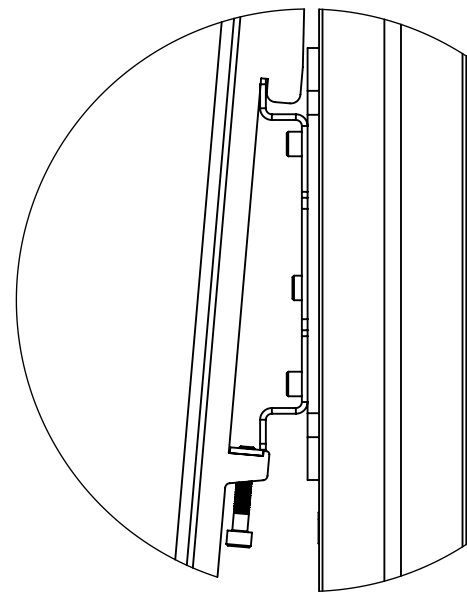
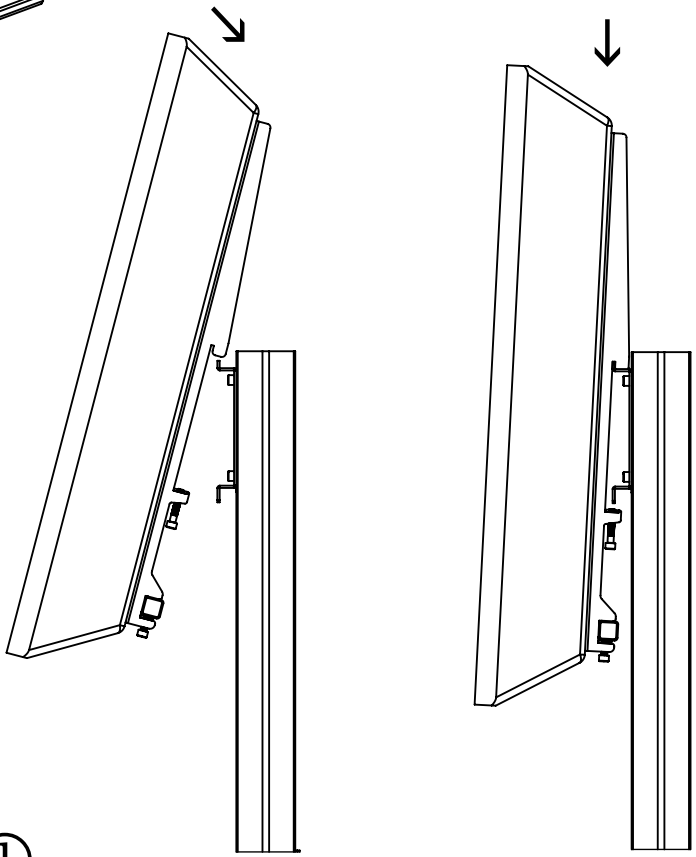
Optional Spacer mounting



Spacer is used when the back of TV is not flat or the mount holes are sunk into the back of the TV. (Rarely used)



(XLD Bracket shown)



①

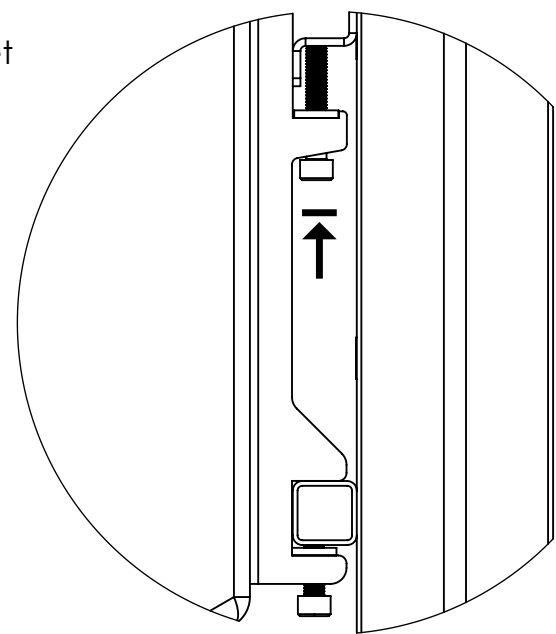
Hang the TV, First Hooking the top of the mounting bracket rail then allowing the TV to rest on the rail.

②

Make sure Bolts clear bracket, TV will tilt until its flush with the mount, Turn bolt until it catches on the bracket.

Note:

Two people should lift and secure the TV



③

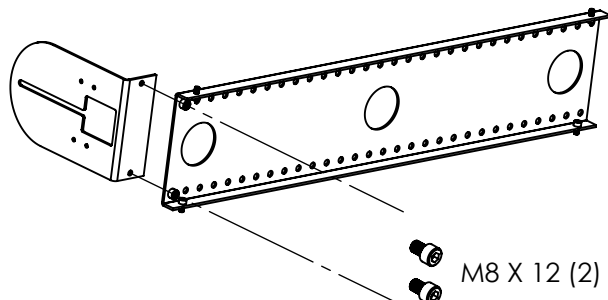
Once your TV is centered. Completely tighten bolts against metal bracket and brace.



Hex key

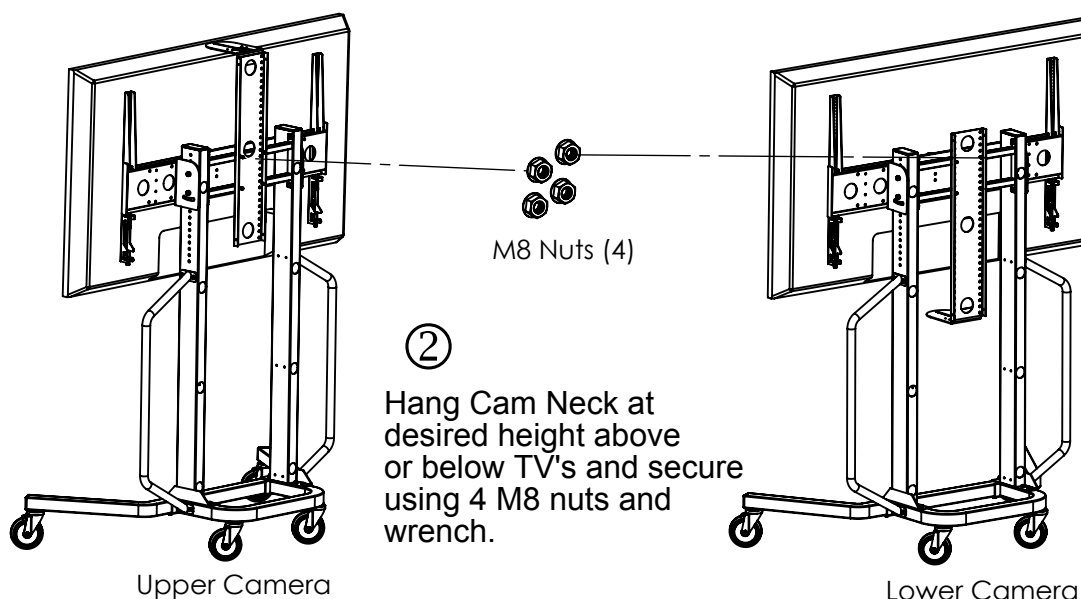


13mm Wrench



M8 X 12 (2)

① Using smaller hex key, Attach the camera tongue to the Camera Neck.

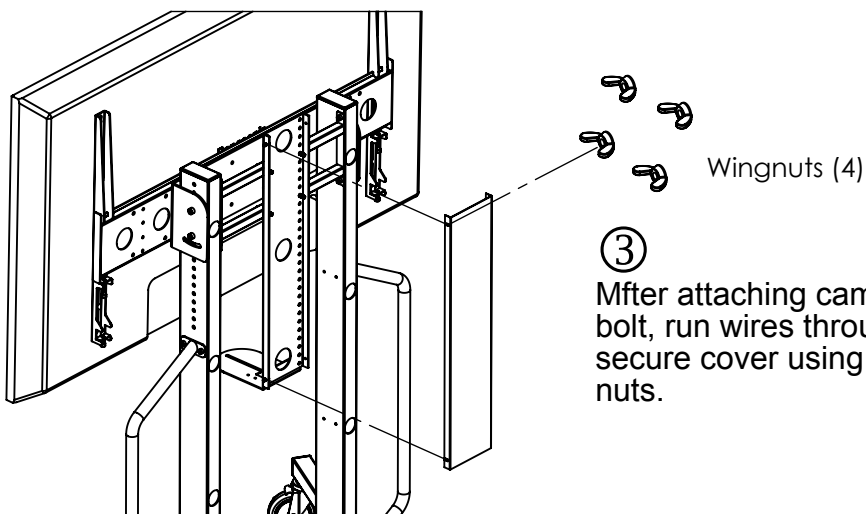


M8 Nuts (4)

② Hang Cam Neck at desired height above or below TV's and secure using 4 M8 nuts and wrench.

Upper Camera

Lower Camera



Wingnuts (4)

③ After attaching camera using 1/4-20 bolt, run wires through neck and secure cover using included wing nuts.

You're Done!

VIDEO FURNITURE INTERNATIONAL