



VIDEO FURNITURE INTERNATIONAL

WM-S/D

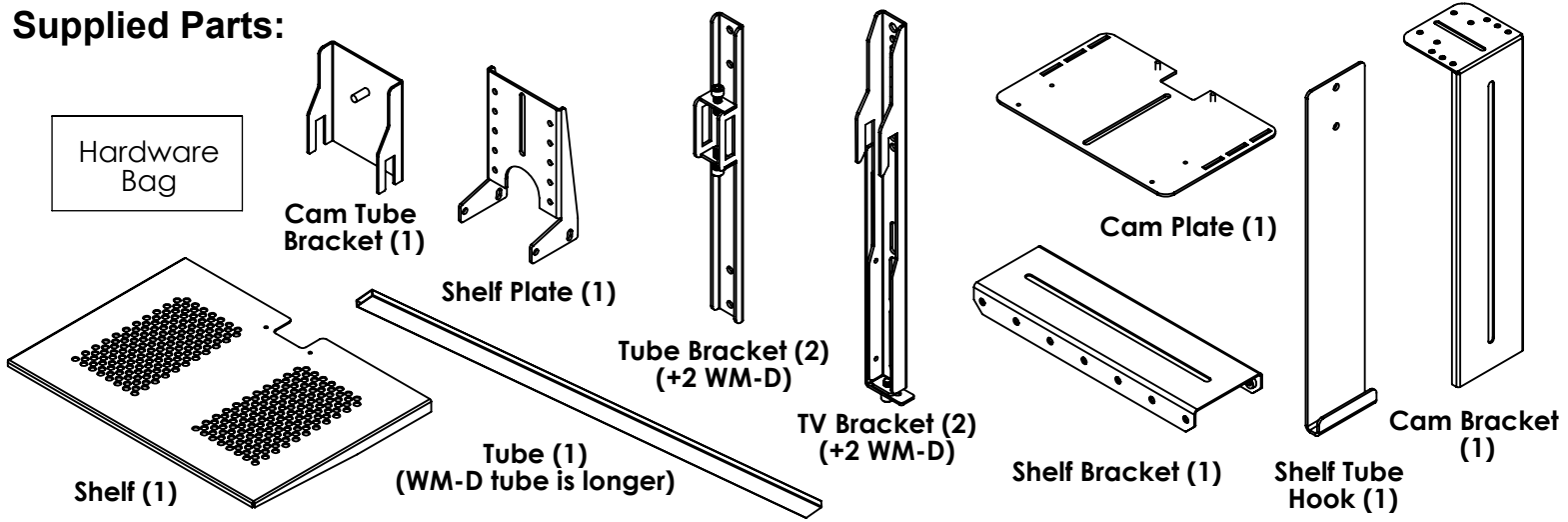
Assembly and mounting Instructions

Thank you for purchasing VFI's Video Conferencing Wall Mount. This product was designed for wall mounting of multiple plasma or lcd tv's, cams and codecs onto a wood/steel frame or masonry wall.

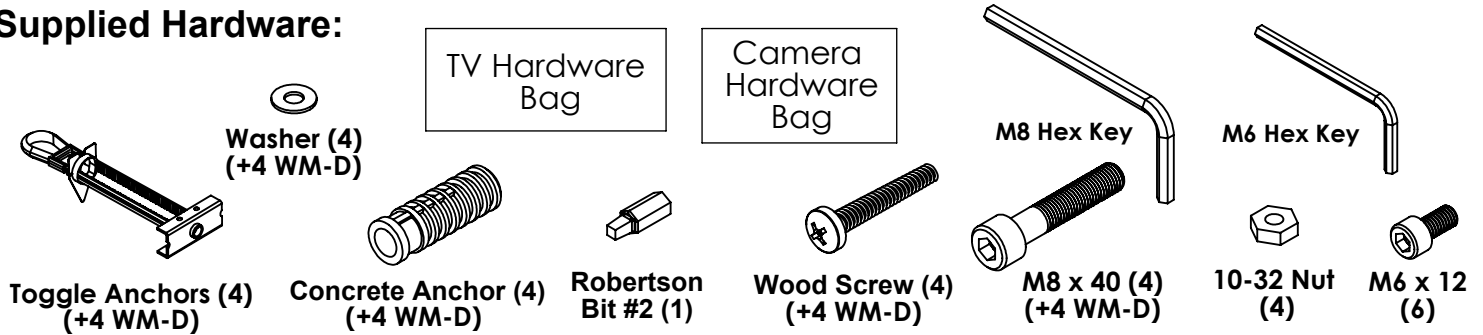
Note: If you cannot understand these instructions or are concerned about the safety of the installation Contact a qualified contractor or contact VFI at 1-877-834-3876.

Confirm all hardware is included before you begin assembly.
Not all hardware supplied will be used.

Supplied Parts:



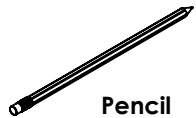
Supplied Hardware:



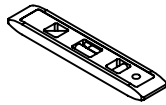
Tools required:

(Not Included)

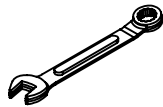
All



Pencil



Level



3/8 Wrench

Wood

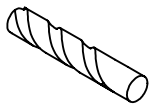


Phillips or Robertson #2 Screwdriver or Drill



Stud finder

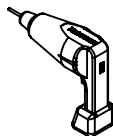
Steel



3/4 Drill Bit



Stud finder

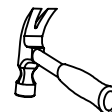


Drill

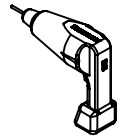
Masonry



1/2 Drill Bit



Hammer



Drill

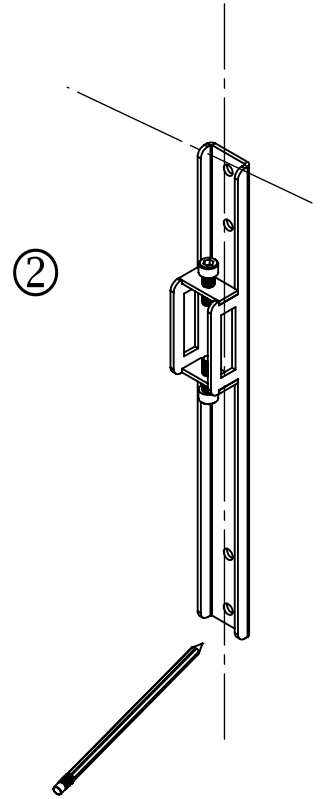
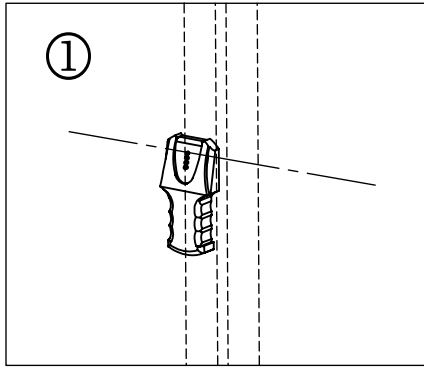
VIDEO FURNITURE INTERNATIONAL

165 McIntosh Drive Markham, Ontario L3R 0N6 www.video-furn.com
Toll Free: 1-877-834-3876 Fax: 1-905-946-8025 Local: 905-946-1459

Step 1

Marking Installation Location

- 1) Using a stud finder and a pencil, mark the center of each stud needed for mounting the WM1 brackets.
- 2) Draw a level line between the studs and use the WM1 brackets to mark drilling locations.

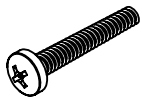


Attaching Brackets to Wall (Wood Studs)

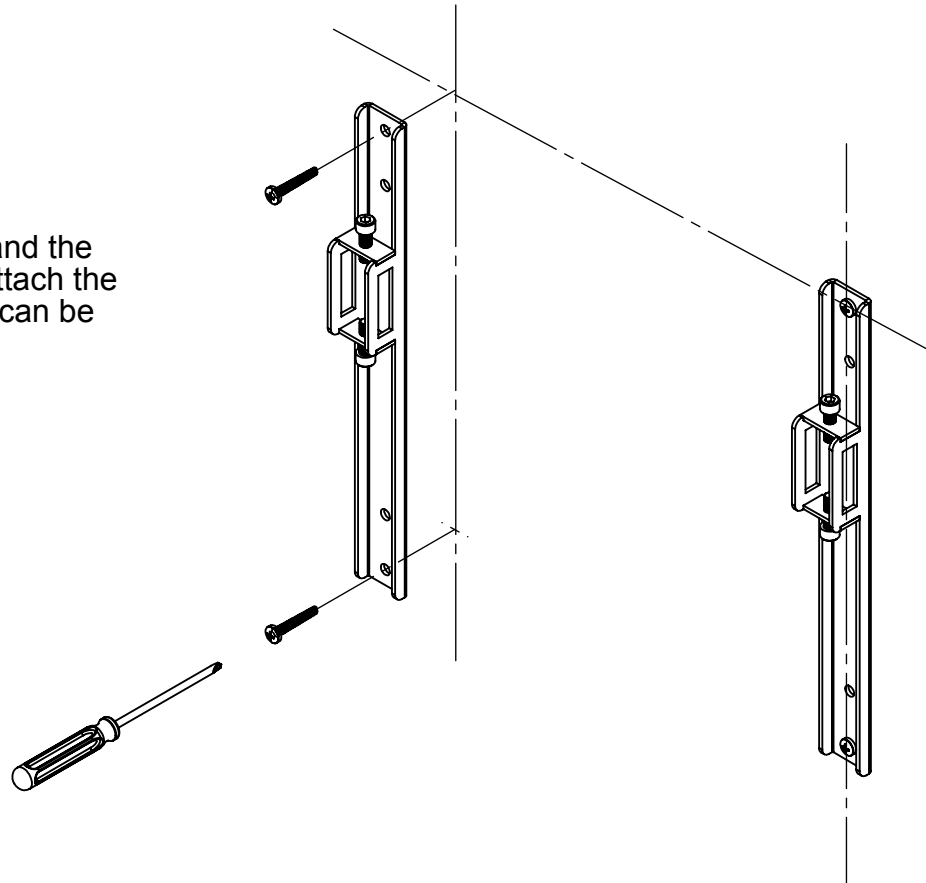
Step 2

Wood Studs

Use a screwdriver or drill and the provided wood screws to attach the brackets to the wall. Holes can be pre-drilled with a 3/16 bit.



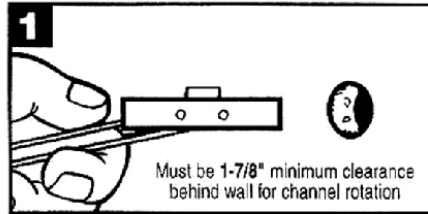
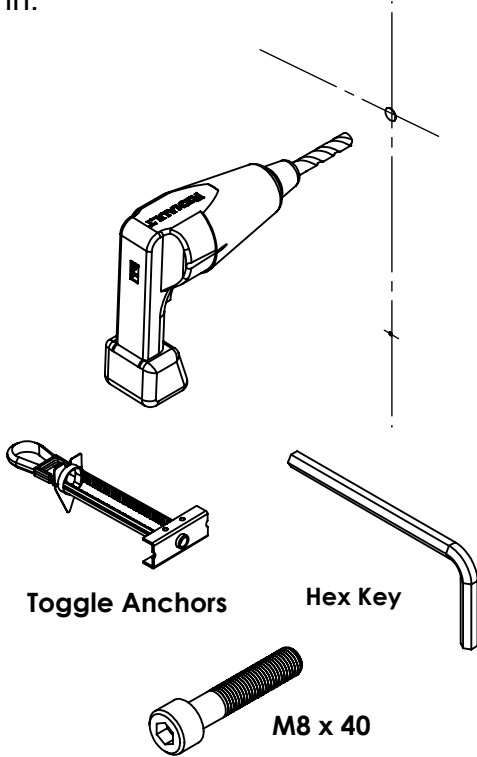
Wood Screws



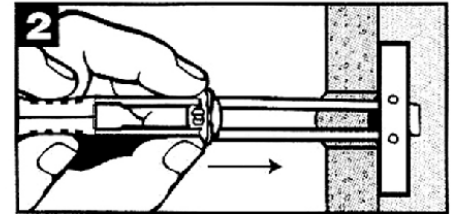
Step 2

Steel Studs

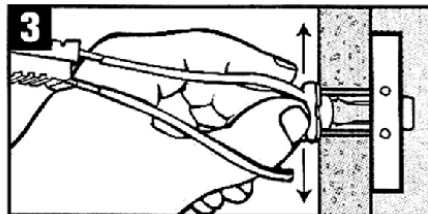
Use a drill and 3/4" bit to drill holes for the toggle anchors to be mounted in.



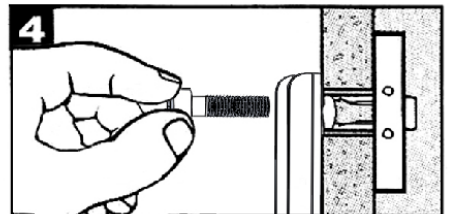
Drill hole. Hold metal channel flat alongside plastic straps & slide channel through the hole. Minimum clearance behind wall: only 1 7/8" (48mm).



Hold ends of strap together between thumb & forefinger and pull toward you until channel rests behind wall. Ratchet cap along straps with other hand until flange of cap is flush with wall.



Place thumb between straps at wall. Push thumb side to side, snapping off straps level with flange of cap.



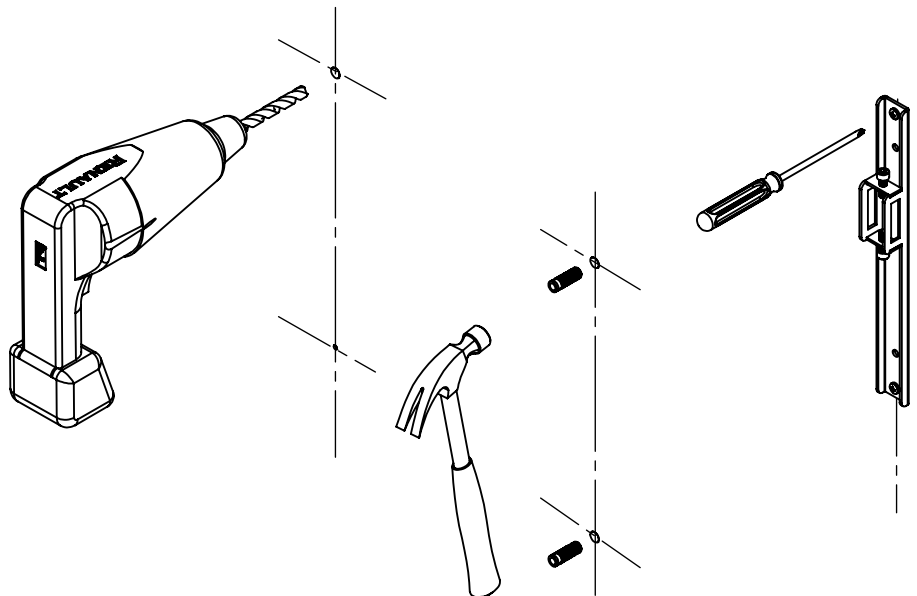
Place item over flange. Insert bolt and tighten until snug against item, then stop. (Do not use drill or power tool. Use hex key to tighten)

Attaching Brackets to Concrete

Step 2

Concrete

Use a drill and 1/2" bit to drill holes for the concrete anchors to be mounted in. Use a hammer if needed to move the anchors into the holes until they are level with the wall. Use wood screws to secure the wall brackets in place.

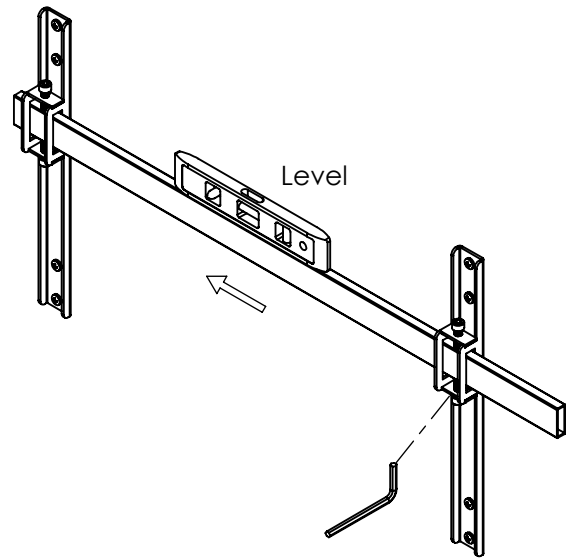


VIDEO FURNITURE INTERNATIONAL

Step 3

1) Slide the Tube through the Tube Brackets until centred. begin tightening the lower M8 bolts on each WM1 bracket until the bar sits close to the centre of the slot.

2) Use a leveling tool to check if the bar is level. If it is not, loosen or tighten one of the lower bolts. Tighten the upper bolts on each side when complete.

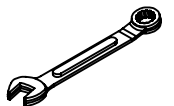


Hex Key

Attaching codec shelf and camera

Step 5

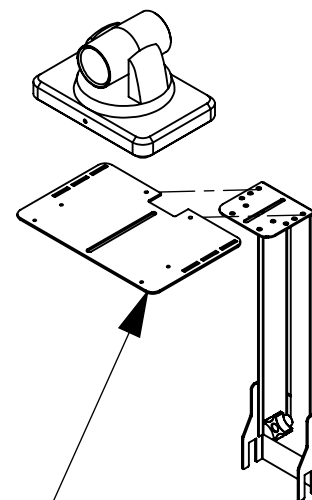
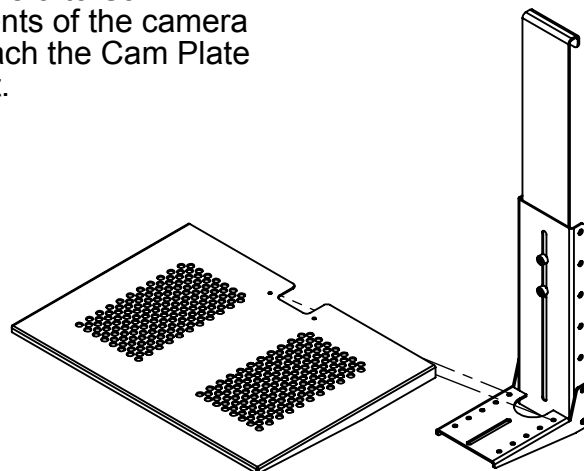
Attach shelf to the shelf bracket using two 10-32 nuts and camera to Cam Bracket using the contents of the camera hardware bag. First attach the Cam Plate if your camera requires it.



3/8 Wrench



10-32



Optional For Wide Cameras



Camera Hardware Bag

Step 5

1. Place TV face down on blanket or non abrasive surface such as cardboard.

2. Check to see if your TV came with mounting hardware or not.

If not, we have supplied the most common hardware.

Most displays under 42" will use the M6 bolt. Most 42"+ will use the M8 bolts.

See which bolt length you need by hand tightening only.

3. Place TV brackets so you can see the TV mounting holes through the bracket and insert bolt through a multi washer.

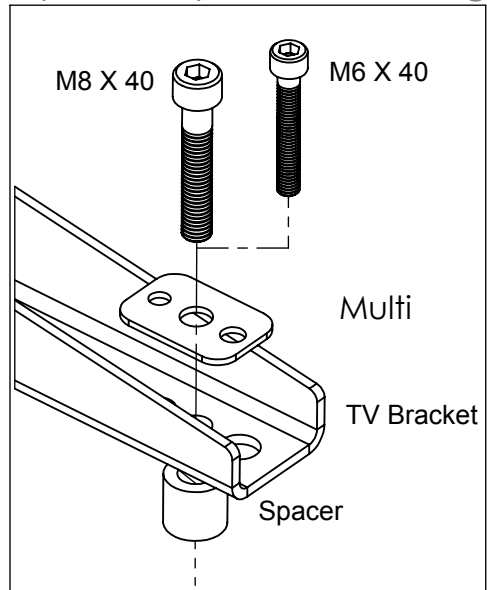
4. Use the Hex key to tighten until there is resistance, then give a half turn.

DO NOT OVERTIGHTEN AS THIS CAN DAMAGE OR PUNCTURE THE TV

Notes.

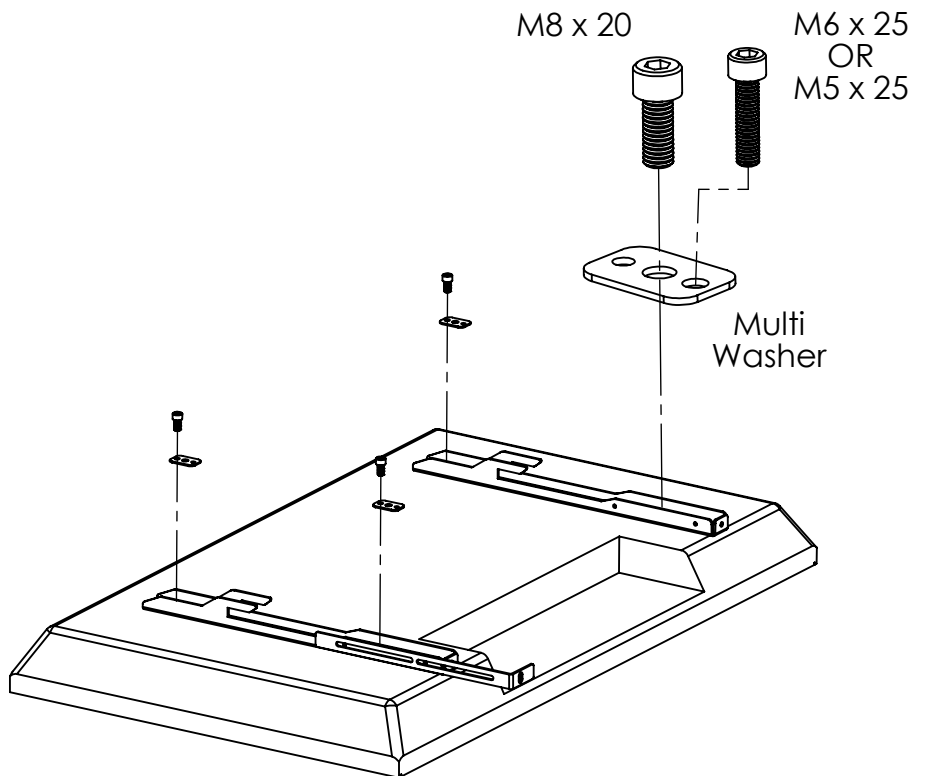
- Have 2 people lift the TV as it can be very heavy and awkward.
- Some TV's require non standard hardware. This bracket was made to accomodate up to M10 bolts which can be found at your local hardware store along with longer versions of the included hardware.

Optional Spacer mounting



Spacer is used when the back of TV is not flat or the mount holes are sunk into the back of the TV. (Rarely used)

TV
Hardware Bag



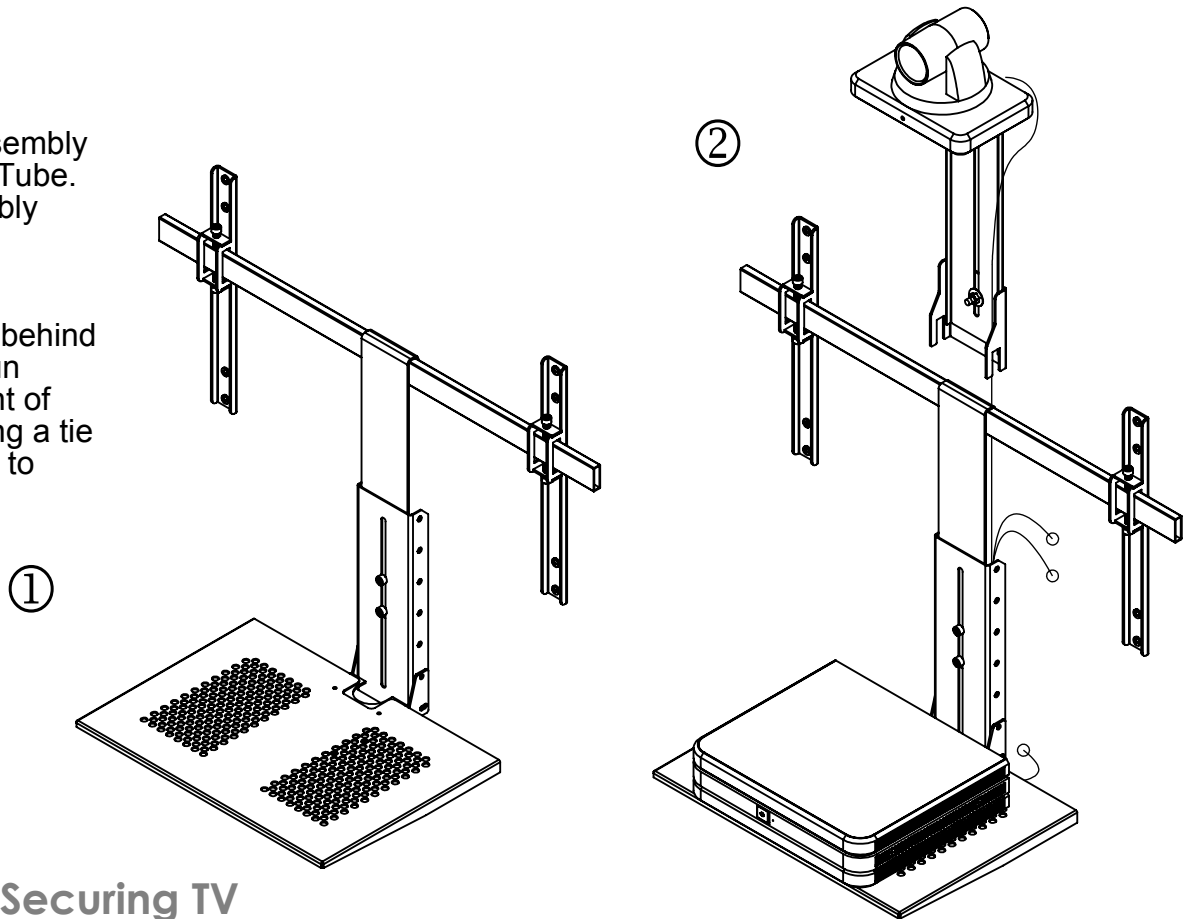
VIDEO FURNITURE INTERNATIONAL

190 Don Hillock Drive Aurora , Ontario L4G 0G9 www.video-furn.com
Toll Free: 1-877-834-3876 Fax: 1-905-751-1488 Local: 905-751-1459

Step 6

1) Hang the shelf assembly on the wall mounted Tube. Slide the cam assembly over top

2) Run codec cables behind the Shelf Bracket. Run camera cables in front of the Cam Bracket using a tie wrap through the slot to secure in place.



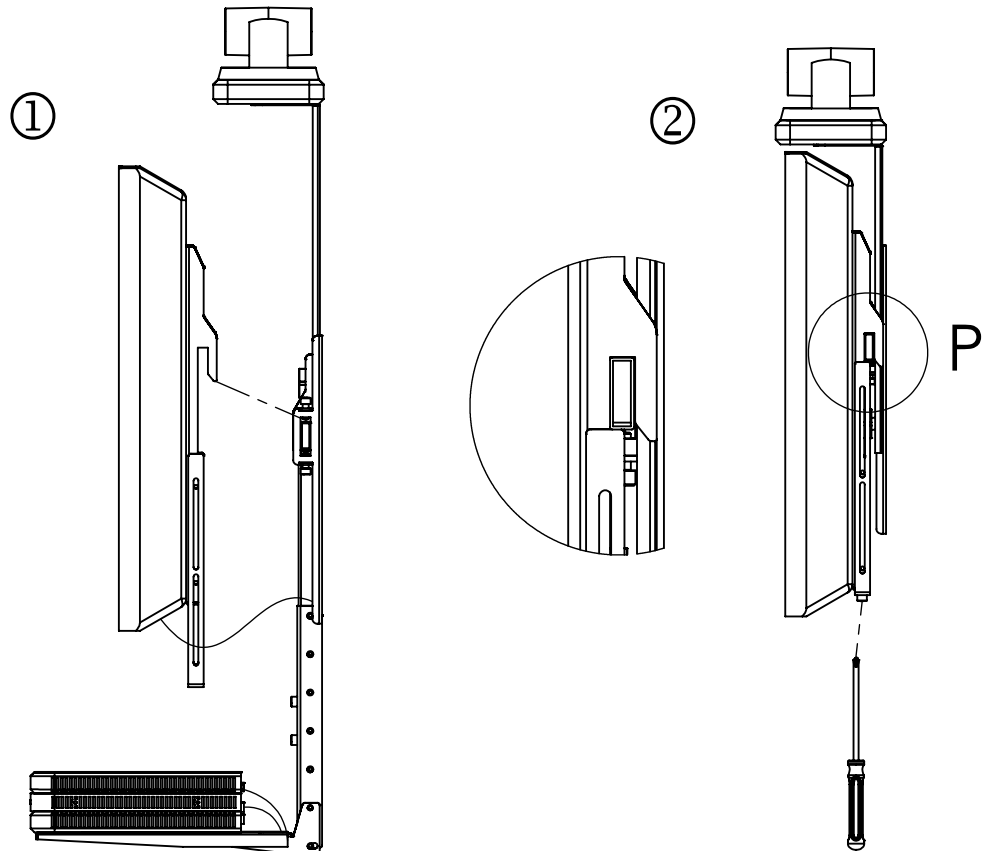
Mounting and Securing TV

Step 7

1) Hang the TV with attached brackets onto the wall mounted Tube. (Cables may need to be attached before mounting depending on your TV's input locations.)

2) Secure the TV by moving each TV bracket slide up until it hits the tube. Then bolt an M8 through the bottom of the bracket to lock it in place. Slide the camera bracket down until it sits level with the top of the TV.

3) Connect to a power source.



Your Done!

VIDEO FURNITURE INTERNATIONAL

165 McIntosh Drive Markham, Ontario L3R ON6 www.video-furn.com
Toll Free: 1-877-834-3876 Fax: 1-905-946-8025 Local: 905-946-1459