

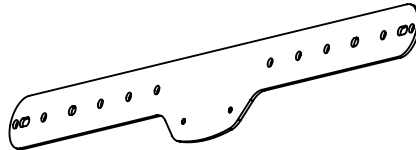
Assembly and mounting Instructions

Thank you for purchasing VFI's TVCB camera mounting system. This product was designed for tabletop and wall mounting of a video conferencing camera to 32- 50" TV's.

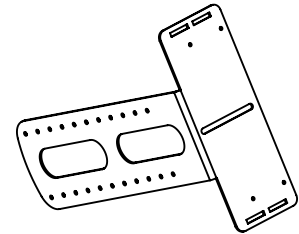
Note: If you cannot understand these instructions or are concerned about safety of the installation Contact a qualified contractor or contact VFI at 1-877-834-3876.

Confirm all hardware is included before you begin assembly.
Not all hardware supplied will be used depending on the manufacturer of your display/s.

Supplied Parts:

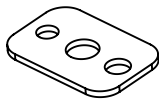


TVCB_1



TVCB_2

Supplied Hardware:



Multiwasher
(2)



10-32 Nut
(2)



1/4-20 x 3/8"
(1)



M8 x 20
(2)



M6 x 20
(2)



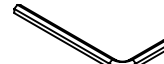
M5 x 20
(2)



Washers
(6)



M3 x 8
(4x)



8mm Hex Key
(1)



6mm Hex Key
(1)

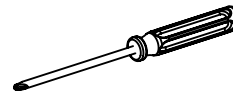


5mm Hex Key
(1)

Tools required:



3/8" Wrench
or Socket

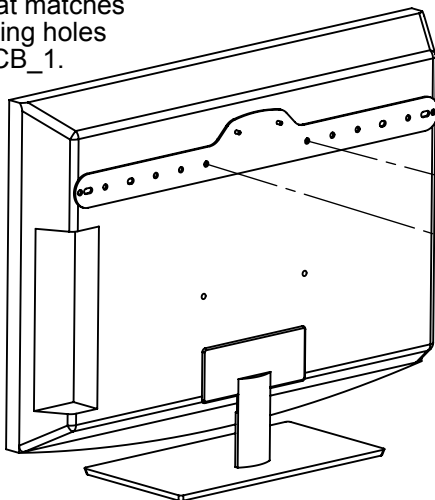


Philips
Screwdriver

Attaching to Desktop TV

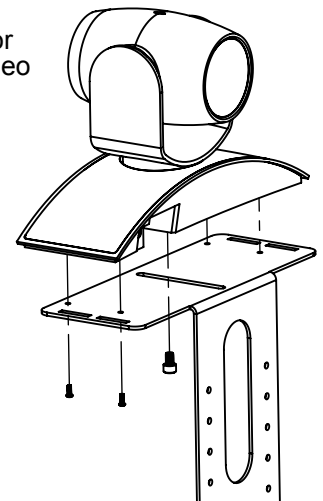
Step 1

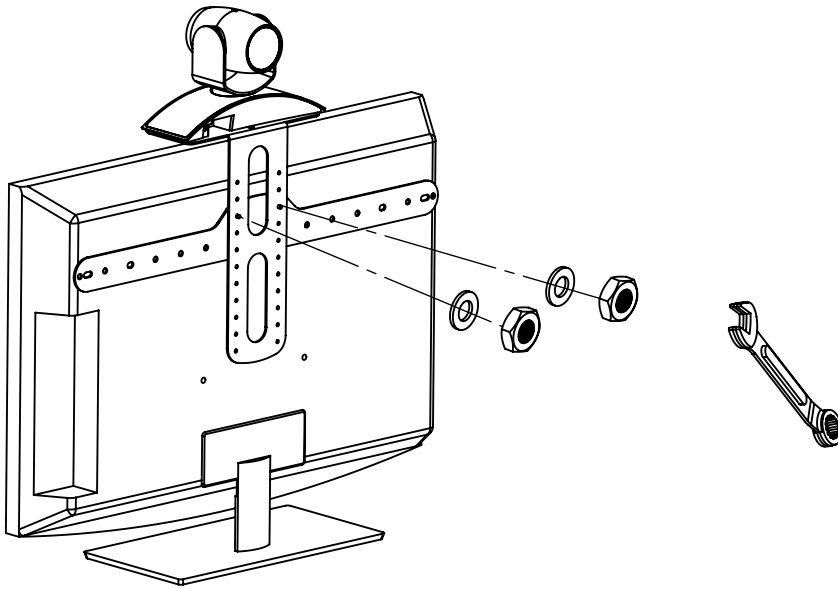
Use the set of provided bolts (M5, M6, M8) that matches your TV's mounting holes to install the TVCB_1.



Step 2

Use the provided 1/4-20 or M3 bolts to secure the video conferencing camera. (Method will vary depending on model)





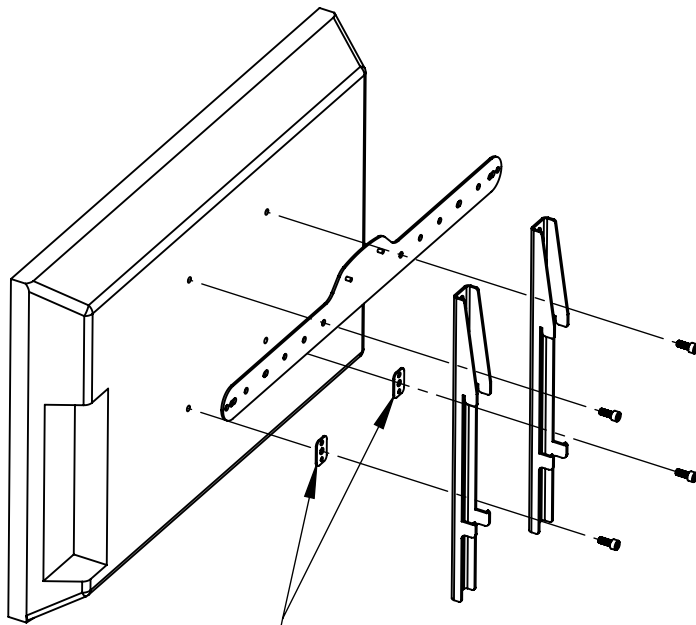
Step 3

Set the TVCB_2 to a desired height using the location holes. Secure it into place with the provided 10-32 nuts.

Attaching to Wall Mount

Step A

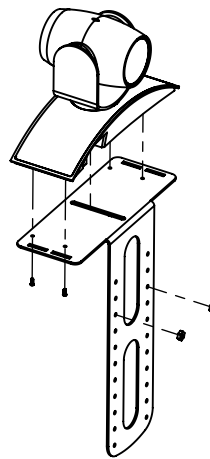
Use the provided multiwashers and bolts to attach the TVCB and wall mount brackets to the TV.



Use provided multiwashers to level the wall bracket with the TVCB.

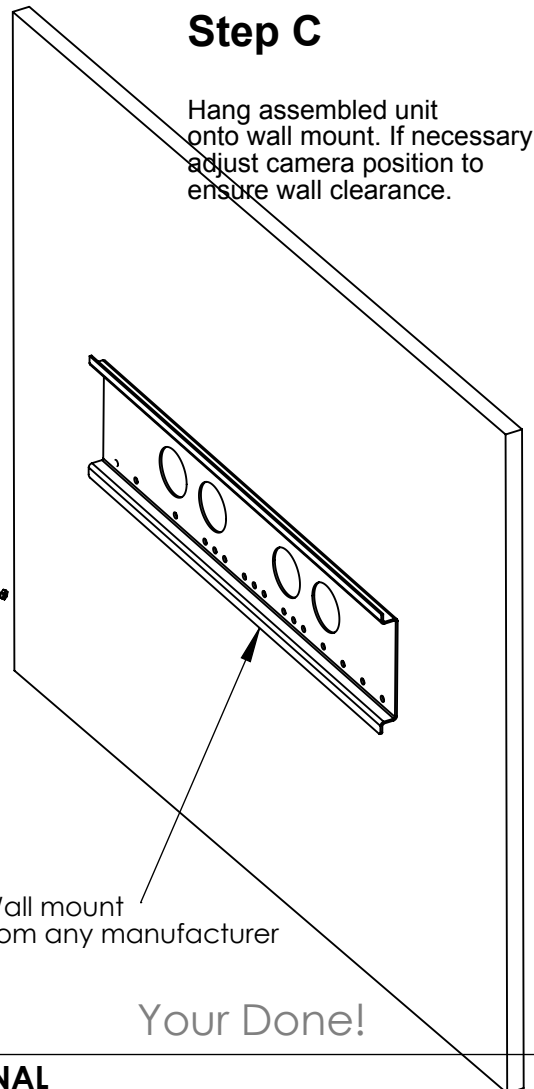
Step B

Next, follow previous steps 2 and 3 to install the camera mount and video conferencing camera.



Step C

Hang assembled unit onto wall mount. If necessary, adjust camera position to ensure wall clearance.



Wall mount from any manufacturer

Your Done!

VIDEO FURNITURE INTERNATIONAL