



VFI Dealer
Business Card Placeholder

Video Conference and Collaboration Tables

Furniture for communicating in our digital world



VFI Tables




(Package T3 Shown)

Cutouts + Grommets

Choose either standard cutouts and grommets with PC-PATCH panels or provide drawings or cutouts for your specific panels

Thermal Wrap MDF

Scratch resistant thermal wrap finish available in a variety of woodgrains and solid colors. Environmentally conscious MDF is made from recycled wood 

Rack

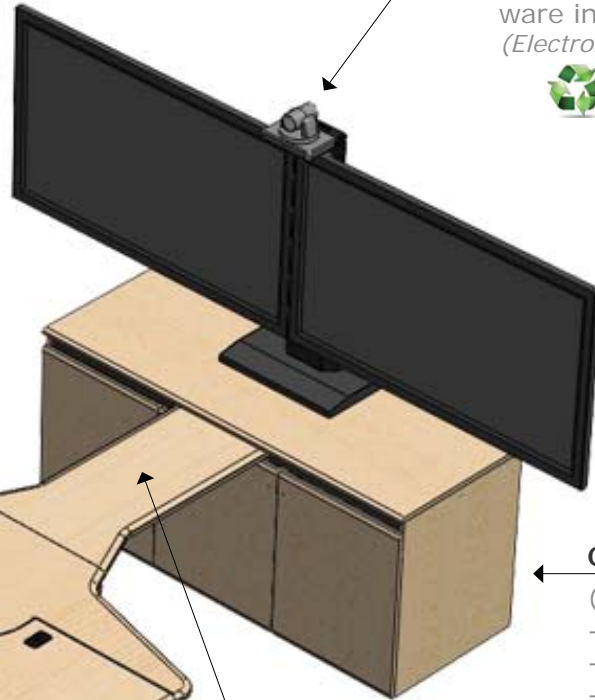
10RU rack allows your equipment to be easily contained underneath the table and provides easy access

Mount + Camera Bracket

Choose either single XL up to 80" or dual up to 55" TV's configuration. Camera bracket and hardware included
(Electronics not included)



Recyclable Steel



CR3000EX Credenza

- (Package T3 + T4)
- 3X 12RU racks
- Locking front and rear
- 3 cooling fans at rear
- Cable access for table bridge
- Height adjustable

Wiring Bridge

No need for cables routed through the floor. Just run them underneath the bridge directly to wall or furniture

OR

TP1000

- (Package T1 + T2)
- Stand for single up to 65" or dual 55" TV's
- 2RU inside
- Height adjustable

PC-PATCH

- Features:
- 2 electrical outlets
 - 1 RJ-11 (Phone)
 - 1 RJ-45 (Data)
 - 2 USB ports
- Can be replaced by your own patch or cutout

Steel Legs

Highly durable with 1" adjustment at the foot. Stainless steel finish



Recyclable Steel

VIDEO FURNITURE INTERNATIONAL

TORONTO, ONTARIO · 1-877-834-3876 · WWW.VIDEO-FURN.COM · SALES@VIDEO-FURN.COM

Package T1

(VC-Table + TP1000-D or TP1000-XL)

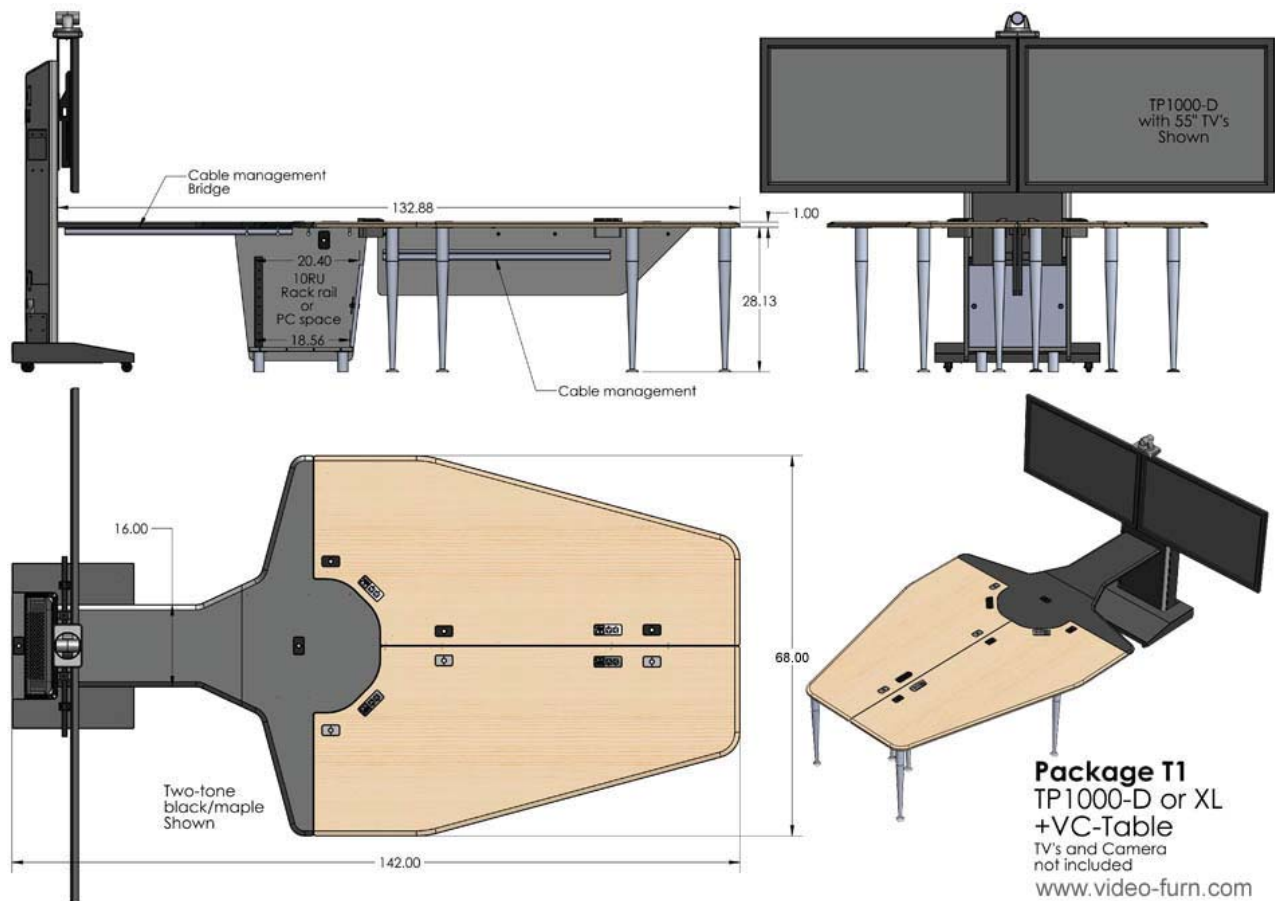
VC-TABLE

Seats 7 people. 10RU rack built-in.
4 power panels. Cable management bridge to TV's

TP1000-D or TP1000-XL

Videoconference stand for dual 42" - 58" TV's
or single 58" - 65". Camera mount. 2RU for
codecs. Cooling fan build-in.

(Chairs and electronics not included)



Package T2

(VC-Table + 3X TP1000-S or TP1000-XL)

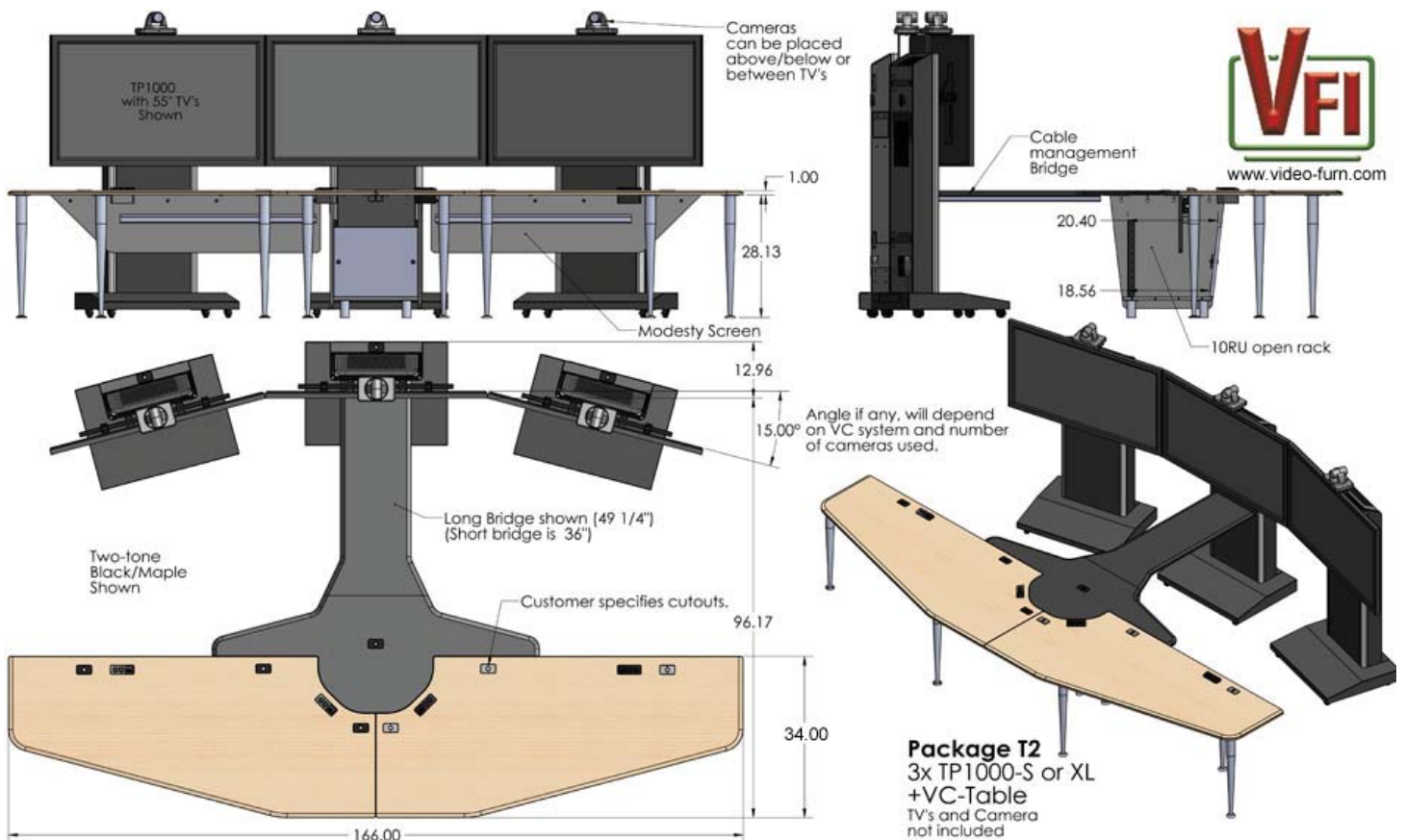
VC-TABLE

Seats 6 people. 10RU rack built-in.
4 power panels. Cable management bridge to TV's

3 x TP-1000-S or TP1000-XL

3 x Videoconference stand for single
42"-58" TV's or single XL 58" - 65" TV's.
Camera mount. 2RU for Codecs.
Cooling fan build-in.

(Chairs and electronics not included)



Package T3

(VC-Table + CR3000EX + PM-D or PM-S-XL + PM-CVR)

VC-TABLE

Seats 7 people. 10RU rack built-in.
4 power panels. Cable management bridge to TV's

CR3000EX Tech Credenza

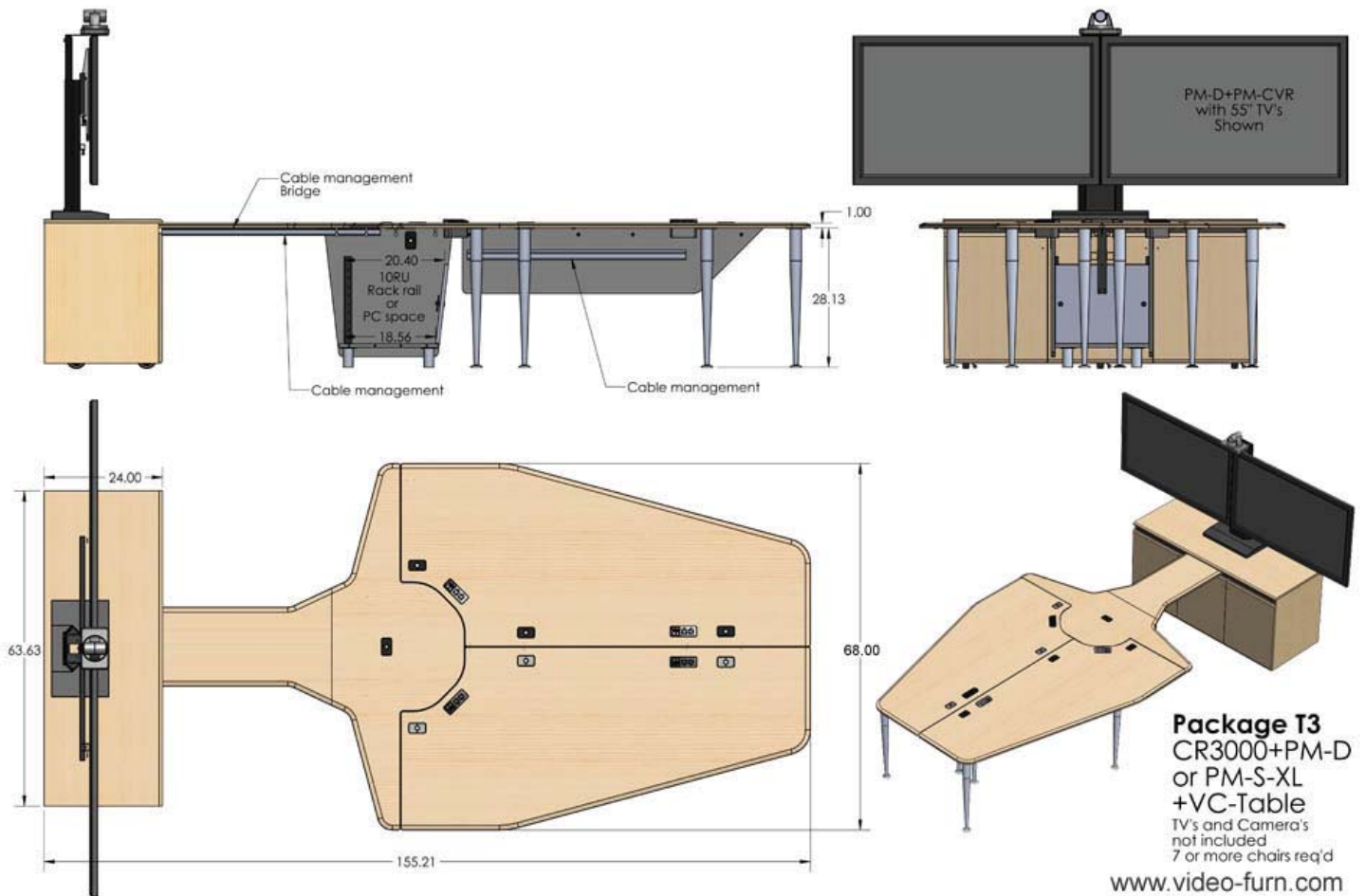
3x 12RU bays and 3x cooling fans

PM-D or PM-S-XL

Stand for dual 32"-55" or for single 52"-80" TV's. Camera Mount.

PM-CVR Cosmetic steel cover for mount base

(Chairs and electronics not included)



Package T4

(VC-Table + 2X CR3000EX + 2X PM-S-XL + PM-CVR)

VC-TABLE

Seats 6 people. 10RU rack built-in. 4 power panels.

Cable management bridge to TV's

2x CR3000EX Tech Credenza

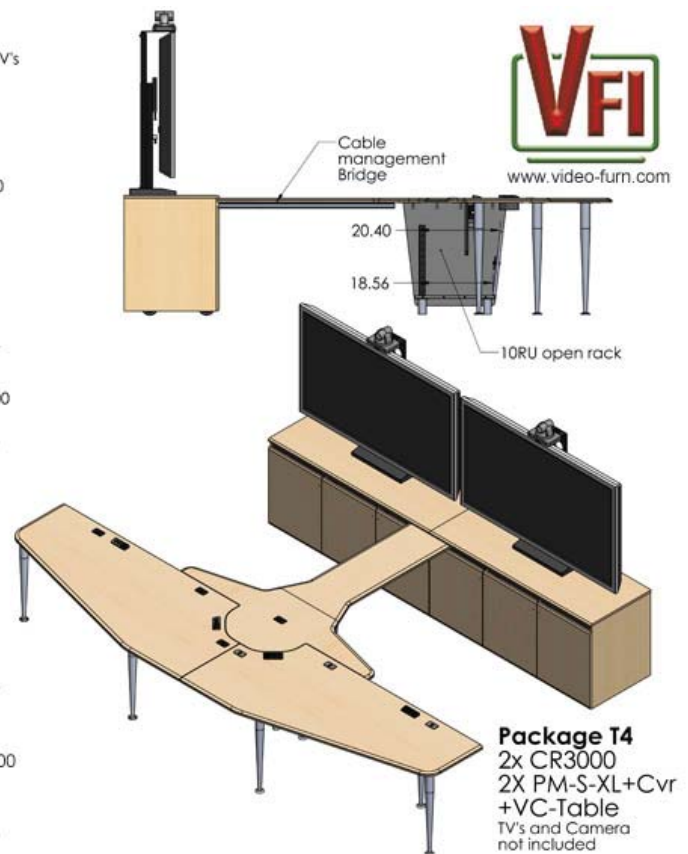
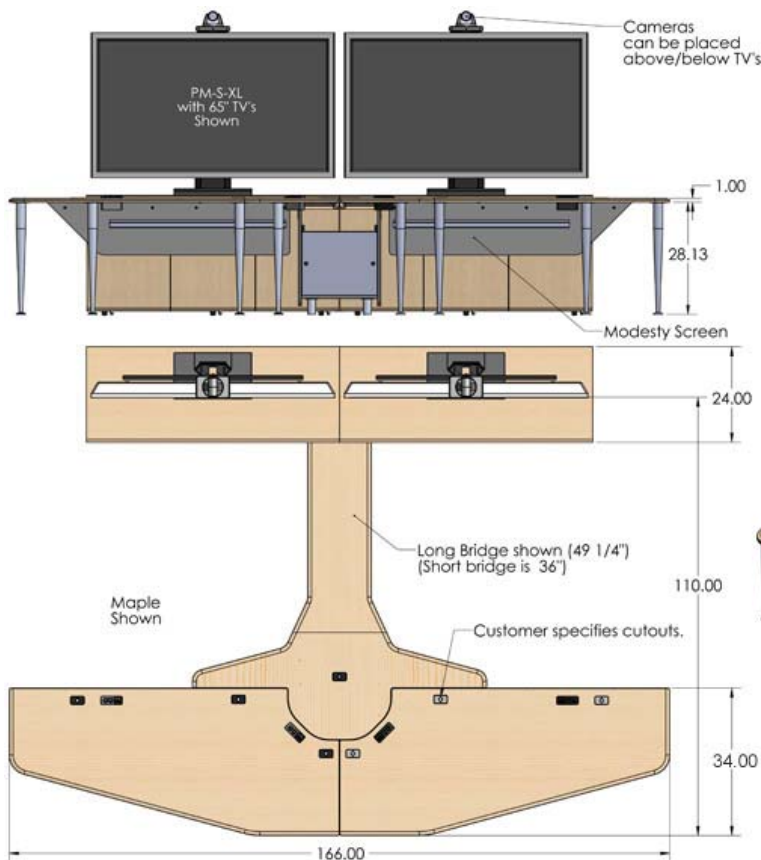
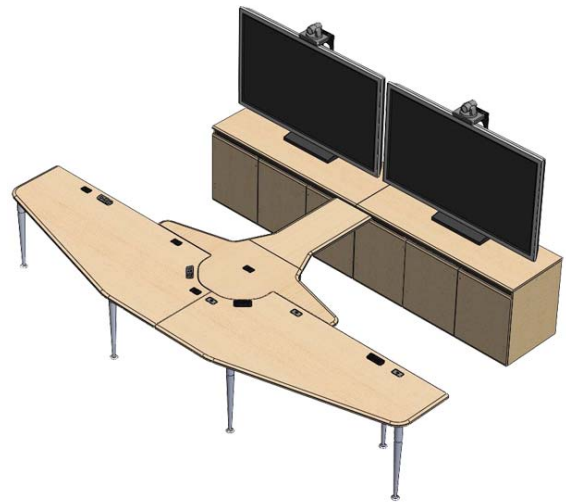
3x 12RU Bays and 3x cooling fans each credenza

2x PM-S-XL

Stands for single 52"-80" TV's. Camera mount.

PM-CVR Cosmetic steel cover for mount base

(Electronics not included)



Package T4
 2x CR3000
 2X PM-S-XL+Cvr
 +VC-Table
 TV's and Camera
 not included

411 Extension

(For VC-Table Packages T1 + T3)

Seats +4 people (55" longer)

For larger boardrooms. Table can be extended to accommodate 4 additional people

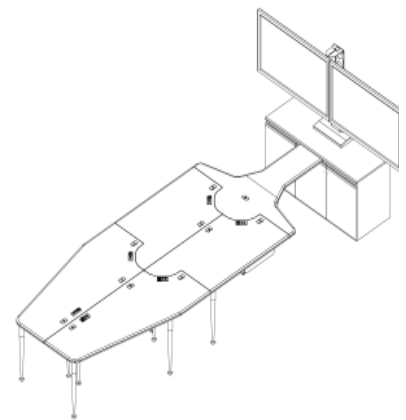
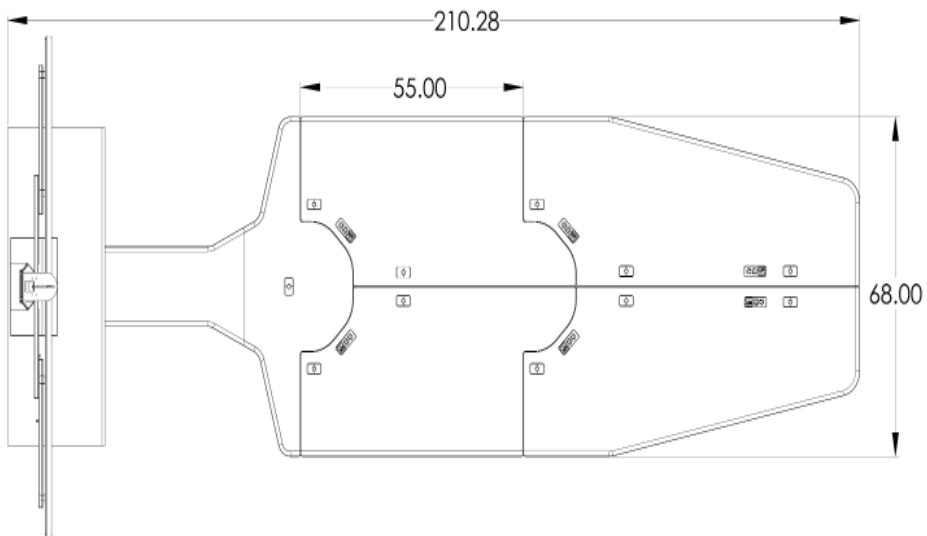
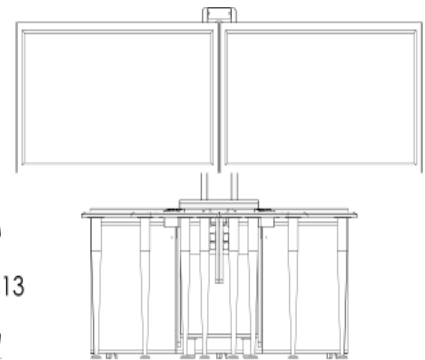
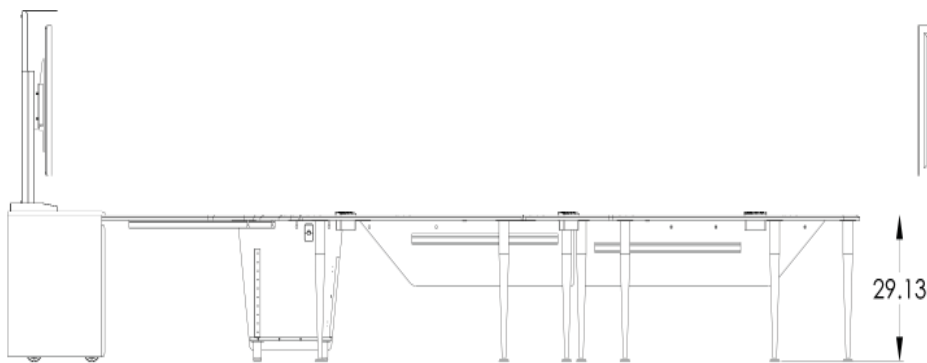
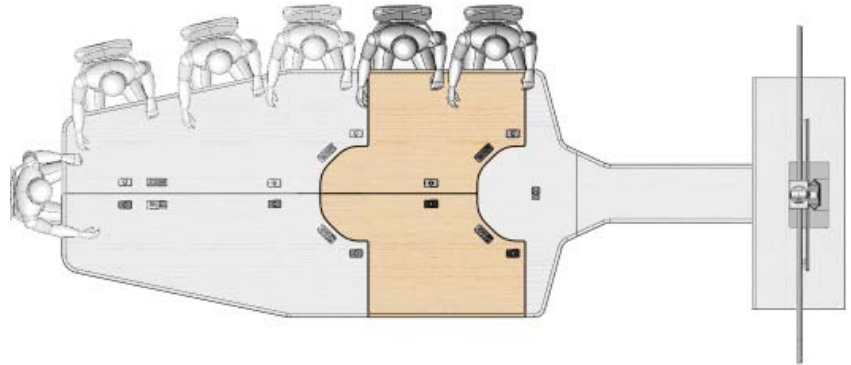
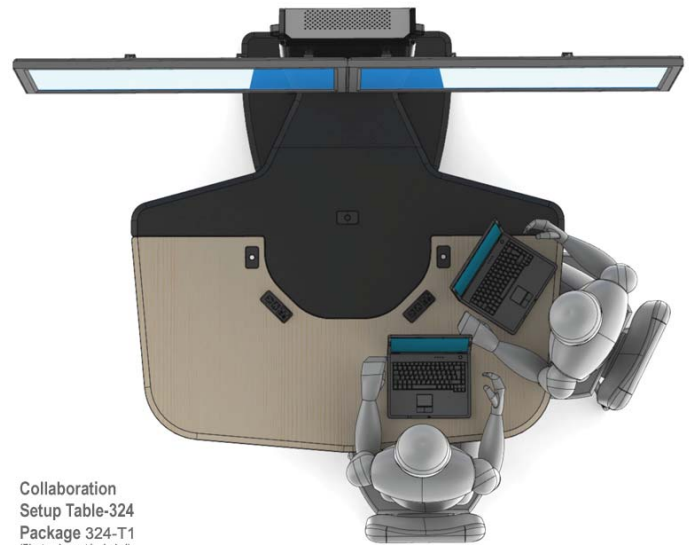


Table-324

Seats 3-4 people. 10RU rack built-in. 2 power panels.
Cable management bridge to TV's.
Includes 2 bridges 12" and 36"

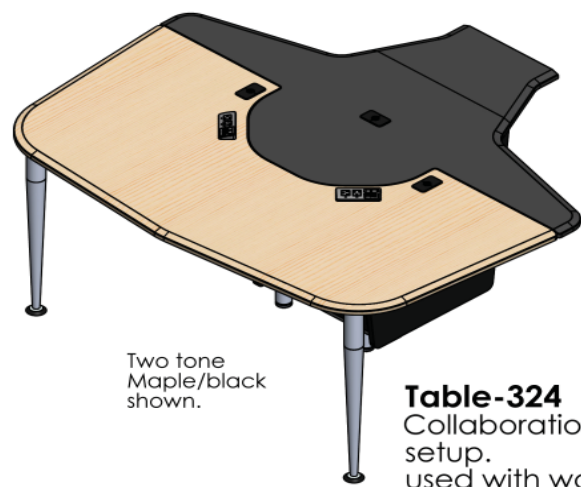
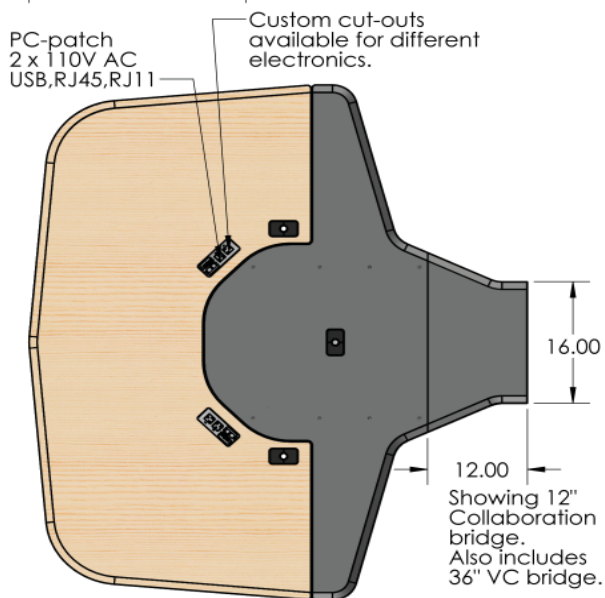
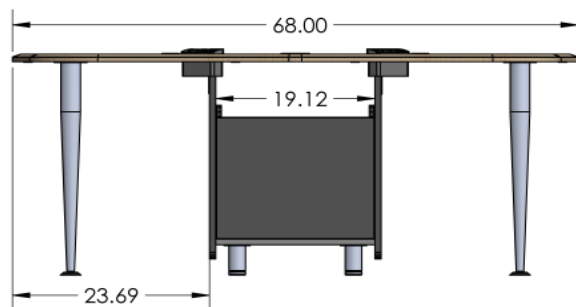
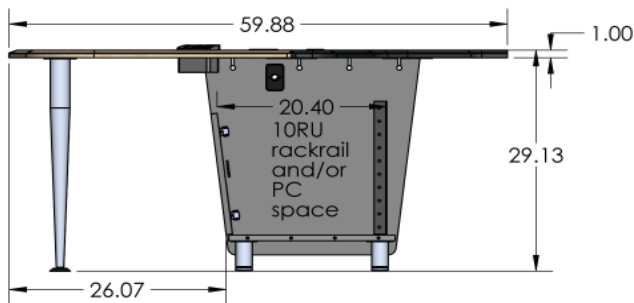
Package 324-T1 consists of Table-324 +
1 x TP1000-D or TP1000-XL

Package 324-T3 consists of Table-324 +
1 x CR3000EX + 1 x PM-D or PM-S-XL



Collaboration
Setup Table-324
Package 324-T1
(Electronics not included)

www.video-furn.com



Two tone
Maple/black
shown.

Table-324
Collaboration
setup.
used with wall
mounted TV's
or see packages.

CAD Symbols

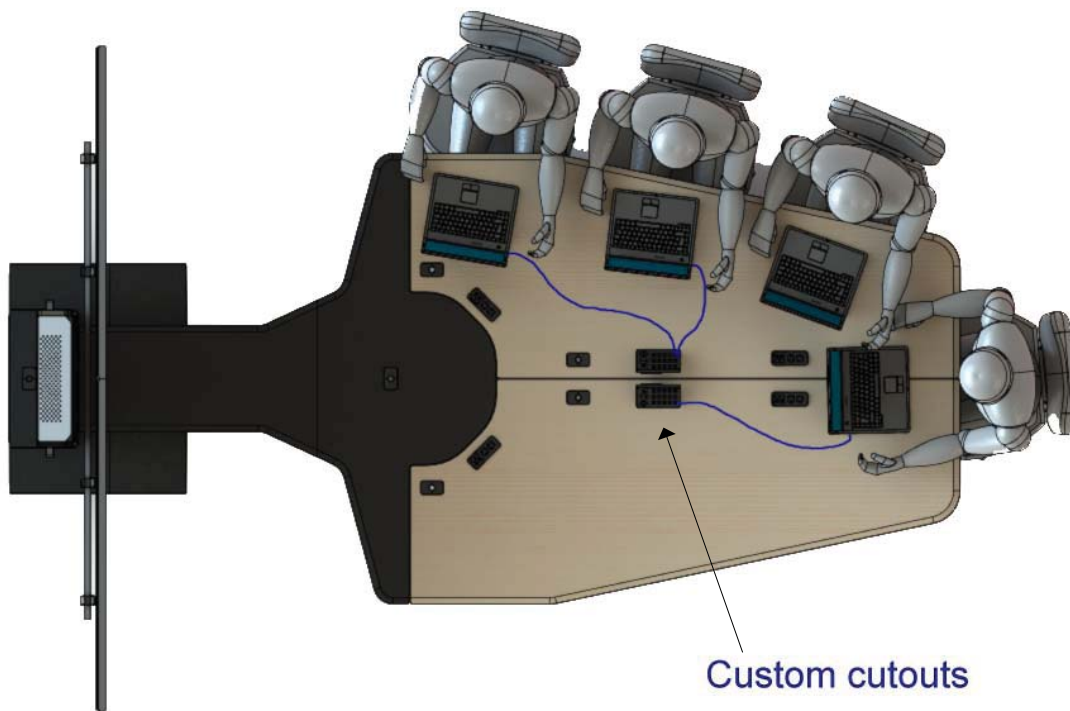
VFI provides CAD Symbols as a ZIP file. Available online at:
<http://www.video-furn.com/VC-Tables-CAD.php>

Customization of Product

We are flexible regarding customization and can provide CAD drawings and design support.

Cut-outs are not considered customizations and are included in price.

Changes in shape and size would need to be quoted.



Available Colors



VFI's has a wide variety of standard laminates which can be mixed for a two-tone appearance at no extra charge. We can also match most existing interiors laminates with quote.

Standard laminate samples can be provided upon request by courier.



MAP-Maple



MCH-Medium Cherry



DCH-Dark Cherry



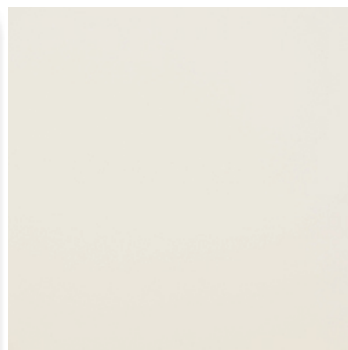
CIN-Cinnamon



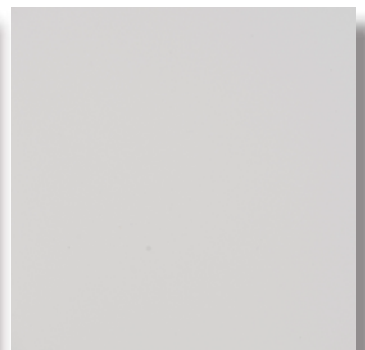
CRJ-Crossfire Java



WAL-Walnut



GWH-Glacier White



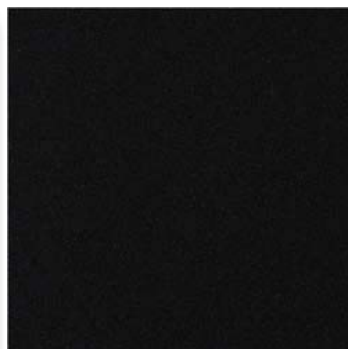
NGR-Northern Gray



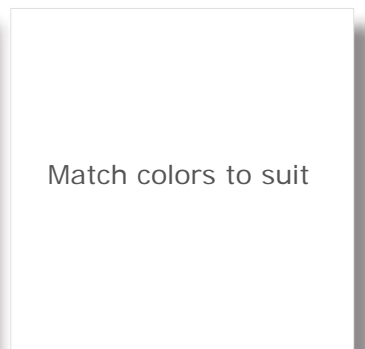
BAL-Brushed Aluminum



SGR-Shark Gray



BLK-Black

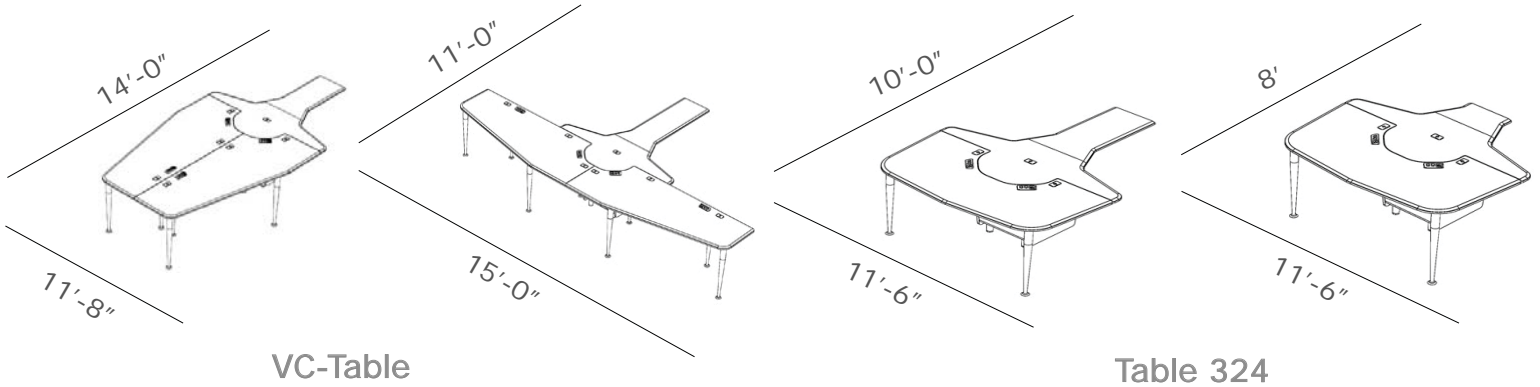


Custom Color

Room Dimensions

(Minimum Room Sizes)

Tables Only



VC-Table Packages

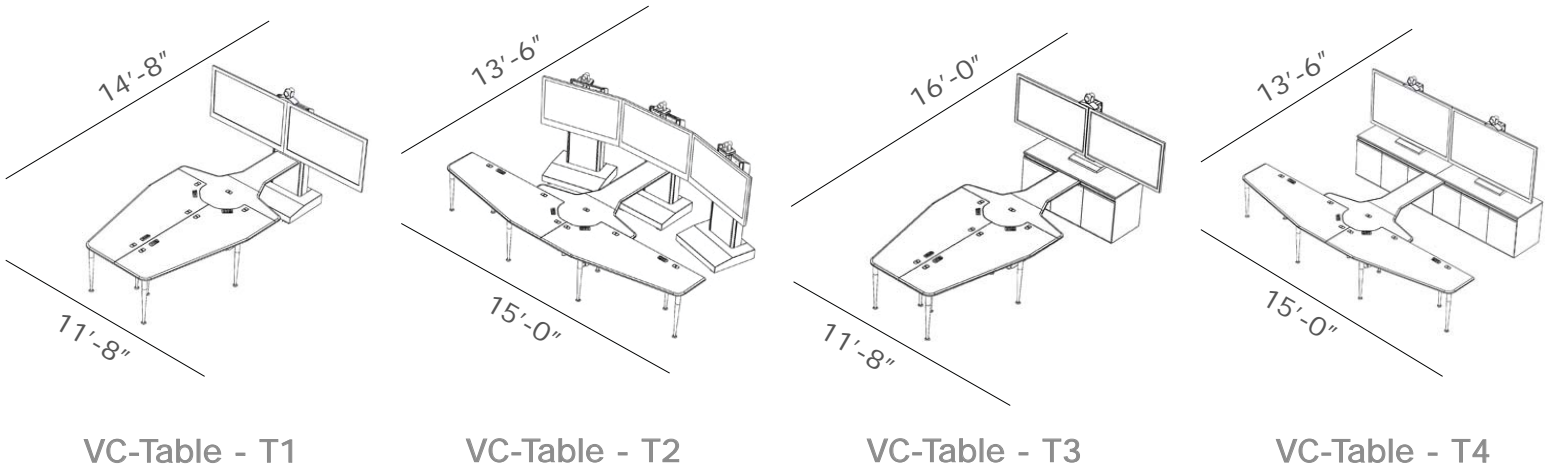
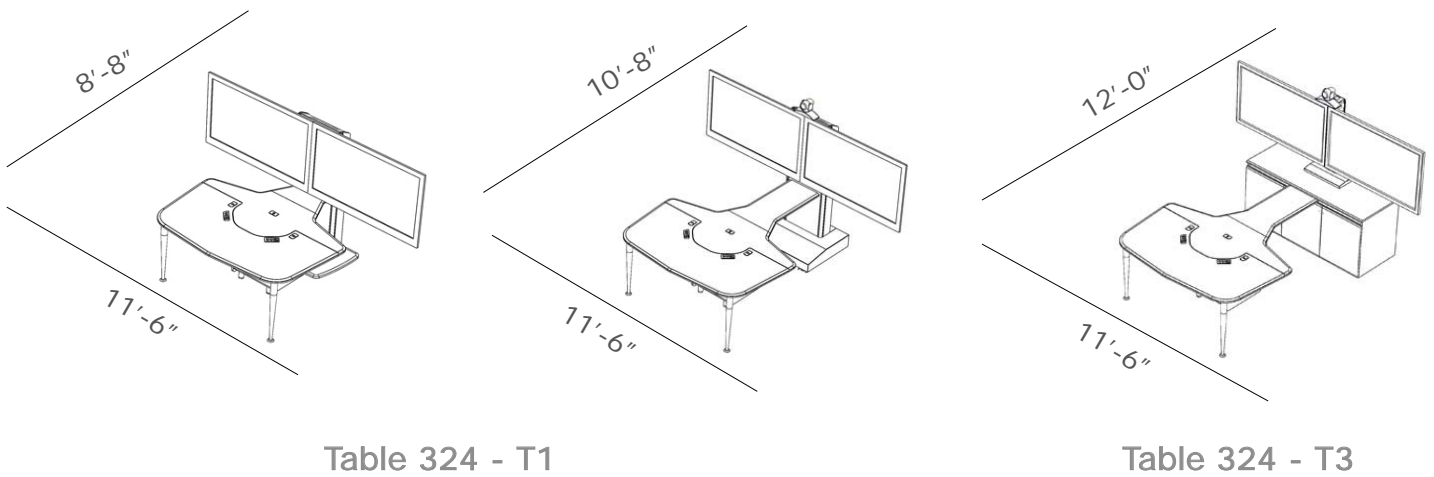


Table-324 Packages



Options



CR3030EX

30" deep Credenza (6" deeper than CR3000EX)



PLM1022

10" - 22" LCD monitor surface mount



CAM

Camera/Codec mount



TVCB

Camera bracket for freestanding or wallmount TV's (32" - 55")



CS

Wall mounted camera/codec shelf



CBB-TV

Camera bracket for 26" - 70" TV's



CUB7

Table top cable well

(2X AC outlets, Cables: VGA, RJ45, USB, HDMI, 3.5 audio)



PB Power bar

6 outlet 110 volt power bar with 10 ft. cord



SBB

Sound bar bracket



RACK ACCESSORIES

Utility shelf, sliding shelf and sliding drawer



LIMITED WARRANTY - 5 Year Commercial

Subject to conditions set forth in this Limited Warranty only, the manufacturer warrants the furniture product to be free from defects in workmanship under normal use and service for 5 years following the date of purchase from Video Furniture International Inc. by the original customer.

Repair, replacement or refund under this warranty is at the manufacturer's option. No returns will be accepted except from the original customer and only by pre authorization.

This is a LIMITED WARRANTY, meaning:

(1) Liability for incidental, consequential or commercial damages is expressly excluded.

(2) The implied warranties of merchantability and fitness for a particular purpose are expressly excluded, except where such exclusion is prohibited by law.

(3) This limited warranty applies only to furniture intended for normal use and not in abusive conditions or if purchased factory unfinished. The manufacturer will not repair or replace furniture that has been abused, neglected or exposed to extreme humidity, temperature alterations in the product or unauthorized repair.

The manufacturer will cover damages that result from normal wear and tear.

Contact Information



Please contact your local VFI dealer for additional information and pricing

Manufacturing and Finance

Address: 190 Don Hillock Drive
Aurora, ON
Canada
L4G 0G9

Telephone: 1-877-834-3876 (Toll free)
(905)751-1459

E-mail: sales@video-furn.com

Distribution Center

Address: 203 Eggert Road
Buffalo, NY
United States
14215

Telephone: 1-877-834-3876 (Toll free)

E-mail: sales@video-furn.com

Demo Room or Sales Support by IP Video Conference

VFI offers Sales support over IP video conference **IP: 68.179.39.226**
(9am - 5pm EST weekdays)

