



VIDEO FURNITURE INTERNATIONAL

Furniture Designs That Communicate

Package I Metal Plasma/LCD cart



Package I Metal Plasma/LCD Cart

Package I, comprised of the MC1000 cart and the MC-S plasma/LCD mount are the ideal combination when mobility and durability are mandated. This pair perfectly lends itself to most educational teaching, business, military, courtroom and corporate training environments. The large interior accommodates up to 14RU rack rails for mounting electronics while the perforated side panels and optional fan provide interior airflow. The MC1000's adjustable TV and camera mount system allows for mounting your choice of monitor(s) and video conferencing system. Max mount hole location for Package I is 800mm wide X 440mm high.

Standard Features Include:

MC1000 cart

- Acrylic locking front door
- Welded steel construction
- Rear removeable access panel
- Built in handles for easy maneuvering
- 14RU rackrails with 4 mounting rails (10-32 screws)
- Ready for optional speakers behind side panels
- Perforated metal sides for maximum ventilation
- 5" heavy duty casters (2 locking)
- Wide wheel base for added stability

MC-S mount

- Sturdy 11ga steel, powder coated texture black
- Wiring channel inside main pillar
- Adjustable TV and camera height during setup
- Accommodates 40" - 58" TV's
- Tilt adjustment during setup

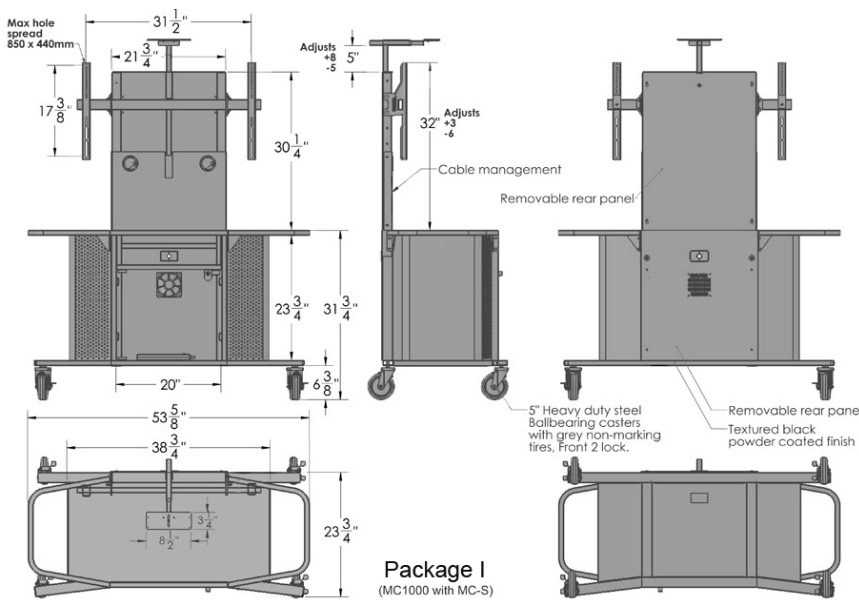
Options

MC1000 cart

- Rack accessories
- Power bar with 10 ft. cord, quiet fan
- SBB (Sound bar bracket)

MC-S mount

- Shorter crossbar for smaller TV's



Specifications:

BLACK

PACKAGE	WIDTH	DEPTH	HEIGHT
I	53 3/4"	23 3/4"	64"+

VFI can build or modify stock configurations to suit customer specifications. Please contact us to discuss how this service can help meet your needs. Some quantity restrictions may apply.

* Specification subject to change without notice

* Computers, cameras, monitors, etc. are shown to illustrate product usage and are not included unless otherwise noted.

190 Don Hillock Drive . Aurora . Ontario . L4G 0G9

Tel: (905) 751-1459 Toll Free: (877) 834-3876 Fax: (905) 751-1488

sales@video-furn.com

www.video-furn.com