



VIDEO FURNITURE INTERNATIONAL

Furniture Designs That Communicate

Package G PL3072 with PM-S-XL



Shown with 58" screen and PM-CVR option

Package G



Package G PL3072 Cart with PM-S-XL Mount

Package G, comprised of the PL3072 cart and the PM-S-XL large mount are the ideal combination when mobility is mandated. This pair perfectly lends itself to most educational teaching, business, military, courtroom and corporate training environments.

PL3072 cart offers perforated side panels for fanless ventilation and a wide wheel base provides safety for heavy or oversized monitors.

The rear doors allows easy wiring access to your equipment.

PM-S-XL accommodates 52" and up flatscreens. It also features an adjustable camera/codec shelf.

Standard Features Include:

PL3072 cart

- 14RU rackrail mounts (10-32 screws) on left side and shelves on right
- Locking front and rear
- Rear doors for easy access to equipment stored inside
- Premium 4 1/2" casters, front are locking
- Tinted acrylic front door
- Vented perforated metal sides
- Ships fully assembled
- Handles for easy maneuvering

PM-S-XL mount

- Sturdy 11ga steel, powder coated texture black
- Wiring channel inside main pillar
- Adjustable TV and camera height during setup
- Accommodates 52" and larger TV's, some up to 70"
- Designed to integrate with predrilled VFI carts

Options

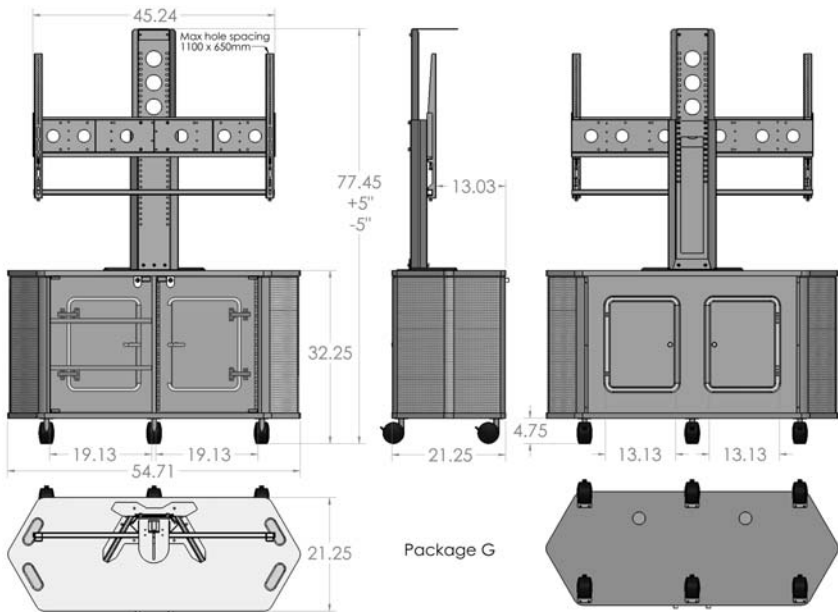
PL3072 cart

- Rack accessories, shelves or rackrails on either side
- PB Power bar with 10 ft. cord

PM-S-XL mount

- PM-CVR, PM-CMP, PM-PB
- PM-HDCB, PM-HD-EXP, BKT-KIT

* See our website for a complete list and descriptions of options at www.video-furn.com



Specifications:

BLACK

PACKAGE	WIDTH	DEPTH	HEIGHT
G	55"	21.25"	72.5-82.5"

VFI can build or modify stock configurations to suit customer specifications. Please contact us to discuss how this service can help meet your needs. Some quantity restrictions may apply.

* Specification subject to change without notice

* Computers, cameras, monitors, etc. are shown to illustrate product usage and are not included unless otherwise noted.

190 Don Hillock Drive . Aurora . Ontario . L4G 0G9

Tel: (905) 751-1459 Toll Free: (877) 834-3876 Fax: (905) 751-1488

sales@video-furn.com

www.video-furn.com