



VIDEO FURNITURE INTERNATIONAL

Furniture Designs That Communicate

Package D PL3070 with PM-D



Shown with 42" screens

Package D PL3070 Cart with PM-D Mount

Package D, comprised of the PL3070 cart and the PM-D plasma/LCD mount are the ideal combination when mobility is mandated. This pair perfectly lends itself to most educational teaching, business, military, courtroom and corporate training environments. PL3070 cart offers perforated side panels for fanless ventilation and a wide wheel base provides safety for heavy or oversized monitors. The rear door allows easy wiring access to your equipment. PM-D mount accommodates 32" and up flatscreens. It also features an adjustable camera/codec shelf.

Standard Features Include:

PL3070 cart

- 14RU rackrail mounts (10-32 screws)
- Locking front and rear
- Rear door for easy access to equipment stored inside
- Premium 4 1/2" casters, front two are locking
- Tinted acrylic front door
- Vented perforated metal sides
- Ships fully assembled
- Permanent construction process

PM-D mount

- Sturdy 11 ga steel, powder coated texture black
- Wiring channel inside main pillar
- Adjustable TV and camera height during setup.
- Accommodates 32" and larger TV's, some up to 52"
- Designed to integrate with predrilled VFI carts

Options

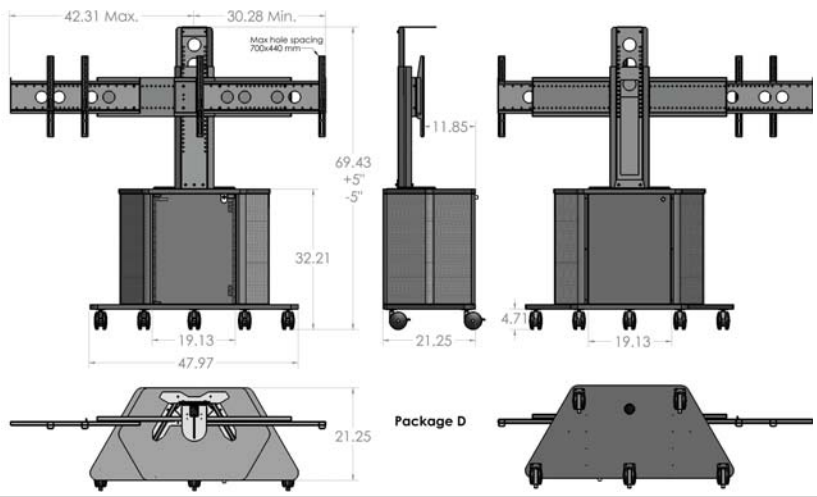
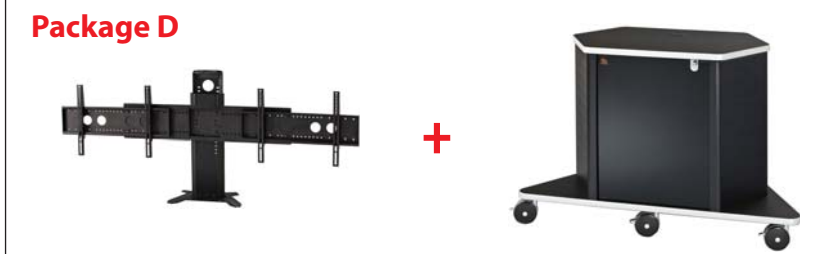
PL3070 cart

- Rack accessories, TOA speakers and amp.
- PB Power bar with 10 ft. cord

PM-D mount

- PM-CVR, PM-CMP, PM-PB, PM-CAM
- PM-HDCB, PM-HD-EXP, BKT-KIT

See our website for a complete list and descriptions of options at www.video-furn.com



Specifications:

BLACK

PACKAGE	WIDTH	DEPTH	HEIGHT
D	60"+	21.25"	65.5-74.5"

VFI can build or modify stock configurations to suit customer specifications. Please contact us to discuss how this service can help meet your needs. Some quantity restrictions may apply.

* Specification subject to change without notice

* Computers, cameras, monitors, etc. are shown to illustrate product usage and are not included unless otherwise noted.

190 Don Hillock Drive . Aurora . Ontario . L4G 0G9

Tel: (905) 751-1459 Toll Free: (877) 834-3876 Fax: (905) 751-1488

sales@video-furn.com

www.video-furn.com