



VIDEO FURNITURE INTERNATIONAL

Furniture Designs That Communicate

Package B C2736 with PM-D



Shown with 50" screens and optional base cover PM-CVR

Package B C2736 cart with PM-D mount

Package B, comprised of the C2736 tech series cart and the PM-D plasma/LCD mount are the ideal combination when mobility is mandated.

This pair perfectly lends itself to most educational teaching, business, military, courtroom and corporate training environments.

C2736 cart offers built in handles for easy maneuvering and a wide wheel base provides safety for heavy or oversized monitors. The rear door allows easy wiring access to your equipment.

PM-D mount accommodates 32" and up flatscreens. It also features an adjustable camera/codec shelf.

Standard Features Include:

2736 cart

- "Fortress" scratch resistant paint
- Built in handles for easy maneuvering
- Rear door for easy access to equipment stored inside
- Premium 4 1/2" casters, front two are locking
- Dual tinted acrylic doors
- Two rear panel cable access ports
- Ships fully assembled
- Permanent construction process

PM-D mount

- Sturdy 11 ga steel, powder coated texture black
- Wiring channel inside main pillar
- Adjustable TV and camera height during setup
- Accommodates 32" and larger TV's, some up to 52"
- Designed to integrate with predrilled VFI carts

Options

2736 cart

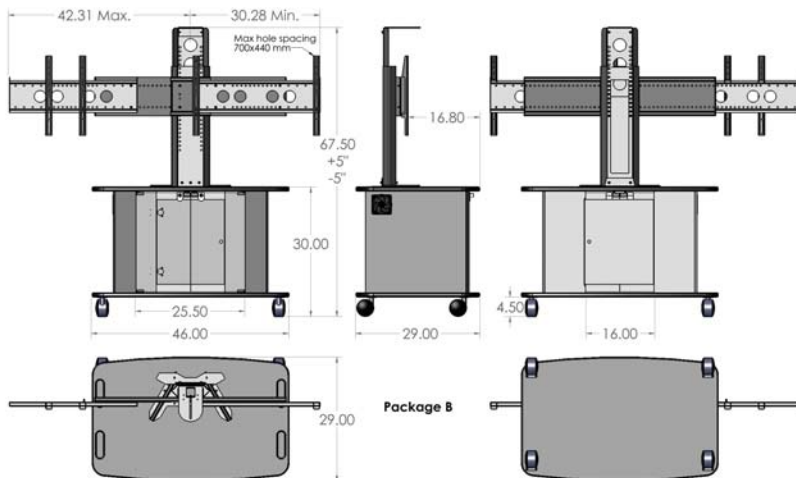
- Security package, RMT-12, rack accessories
- Interior shelf, power bar with 10 ft. cord, quiet fan

PM-D mount

- PM-CVR, PM-CMP, PM-PB, PM-CAM
- PM-HDCB, PM-HD-EXP, BKT-KIT

See our website for a complete list and descriptions of options at www.video-furn.com

Package B



Specifications:

BLACK

PACKAGE	WIDTH	DEPTH	HEIGHT
B	60"+	29"	62.5-72.5"

VFI can build or modify stock configurations to suit customer specifications. Please contact us to discuss how this service can help meet your needs. Some quantity restrictions may apply.

* Specification subject to change without notice

* Computers, cameras, monitors, etc. are shown to illustrate product usage and are not included unless otherwise noted.

190 Don Hillock Drive . Aurora . Ontario . L4G 0G9

Tel: (905) 751-1459 Toll Free: (877) 834-3876 Fax: (905) 751-1488

sales@video-furn.com

www.video-furn.com