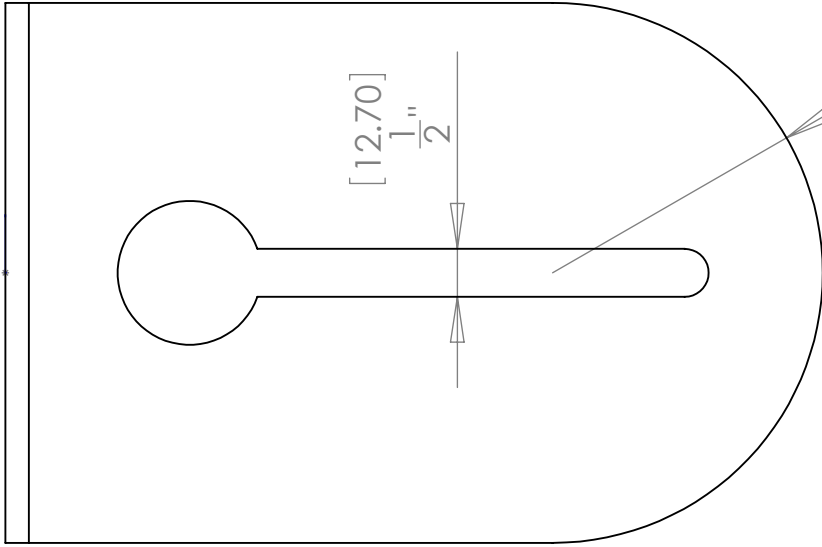
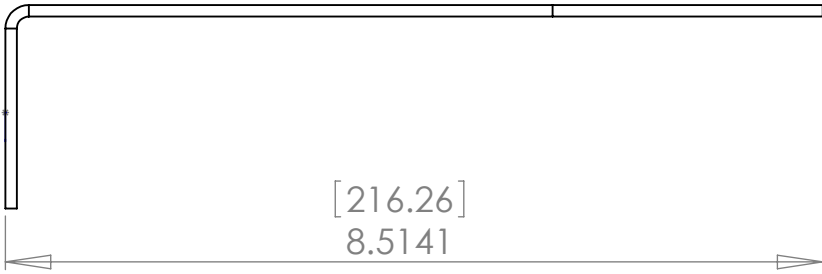
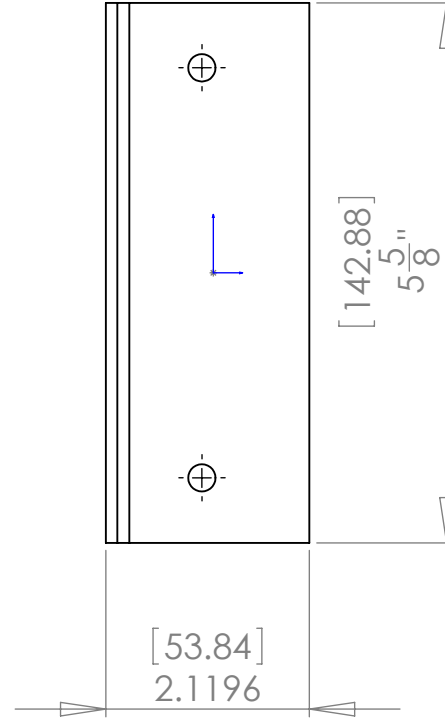


THE INFORMATION CONTAINED IN THIS DRAWING IS THE SOLE PROPERTY OF "VFI".
 ANY REPRODUCTION IN PART OR WHOLE WITHOUT THE WRITTEN PERMISSION OF "VFI" IS PROHIBITED.



$[71.44]$
 $R2\frac{13}{16}$



APPLICATION:	VFI		PART NAME:	
			PM8	
UNLESS OTHERWISE SPECIFIED DIMENSIONS ARE IN INCHES	DRAWN	30/01/2008	DRAWING NAME :	
	CHECKED		Sheet1	
TOLERANCE:	APPROVED		PROGRAM NAME AND LOCATION:	
			SCALE: 1:5	REV.: SHEET 1 OF 1