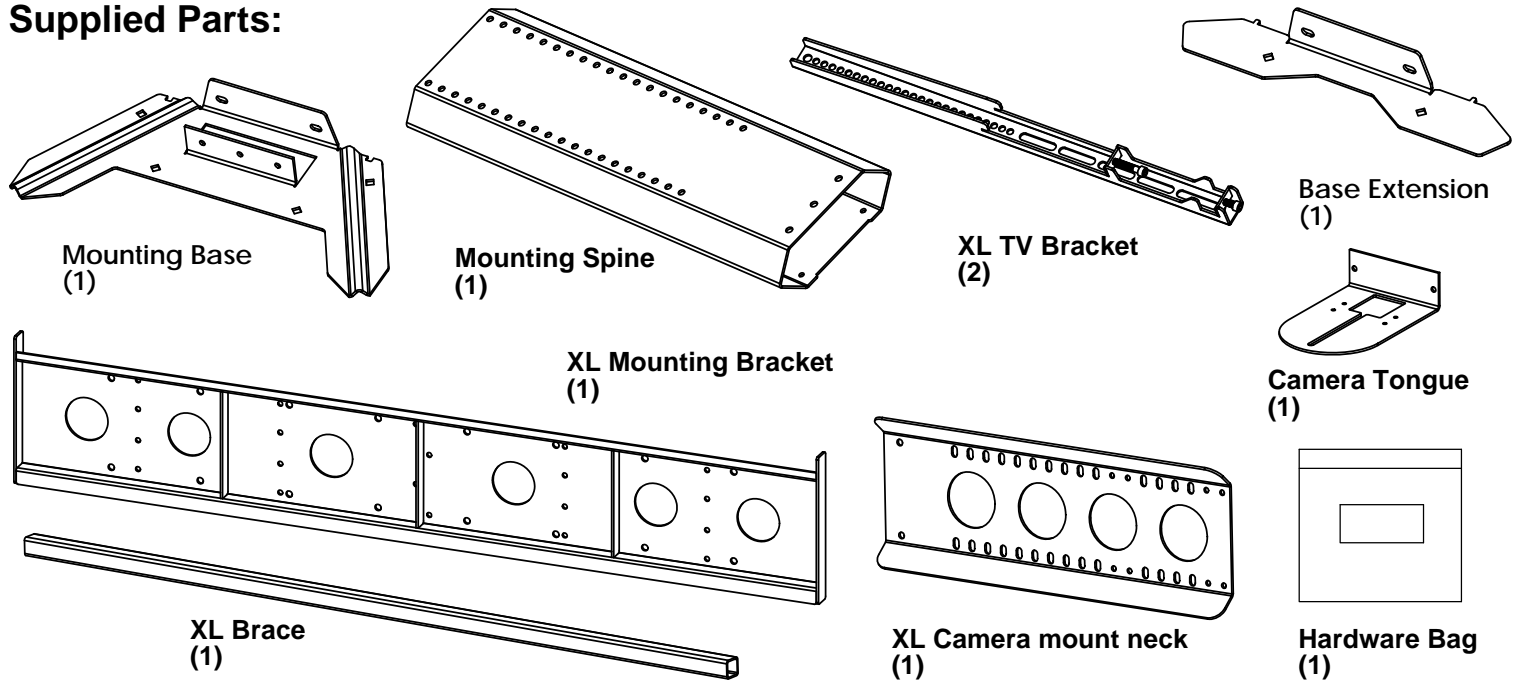


Thank you for purchasing VFI's large display mounting system.
This product was designed for tabletop mounting of a single TV's sized 50-70+
and weighing no more than 250lbs.
Some larger TV's will fit, Download TV manufacturers specs online,
Max hole locations are 1100mm w x 650mm h, up to M10 threads.

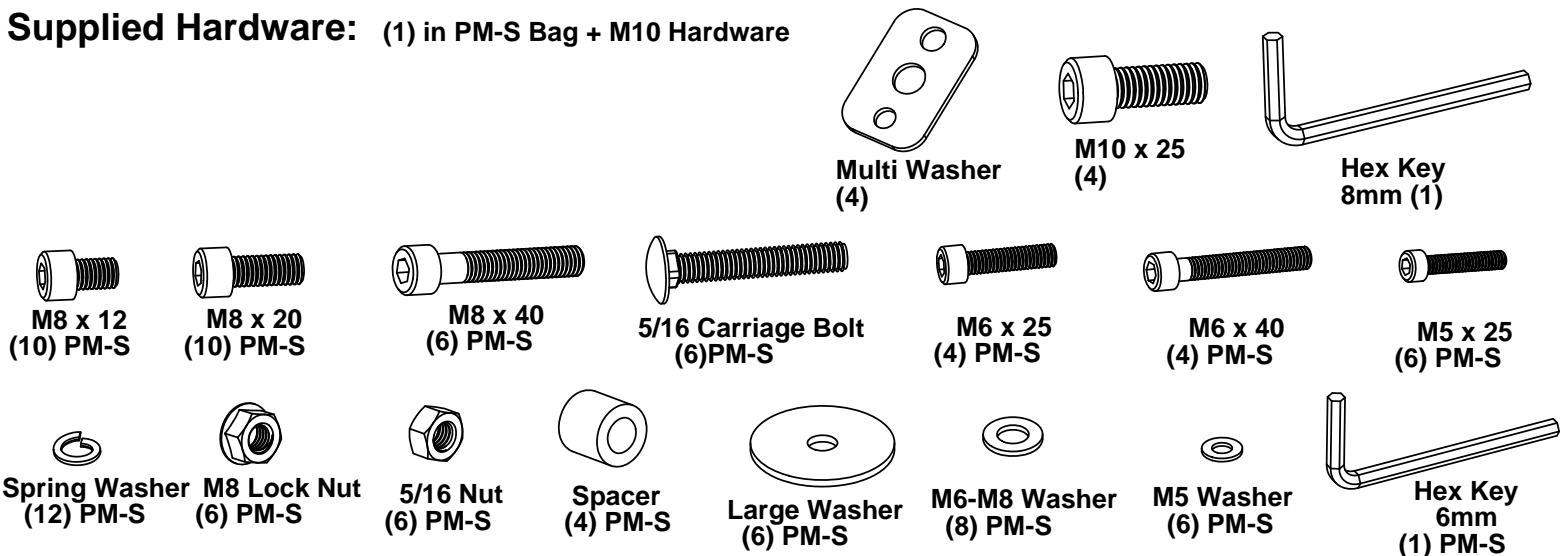
Note: 2 persons are required to attach plasma/lcd TV's to this mount.
If you cannot understand these instructions or are concerned about the safety of the installation
Contact a qualified contractor or contact VFI at 1-877-834-3876.

Confirm all parts are included before you begin assembly.
Not all hardware supplied will be used depending on the manufacturer of your display/s.
Read these instructions start to finish before beginning installation.

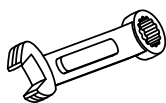
Supplied Parts:



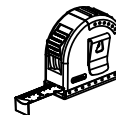
Supplied Hardware: (1) in PM-S Bag + M10 Hardware



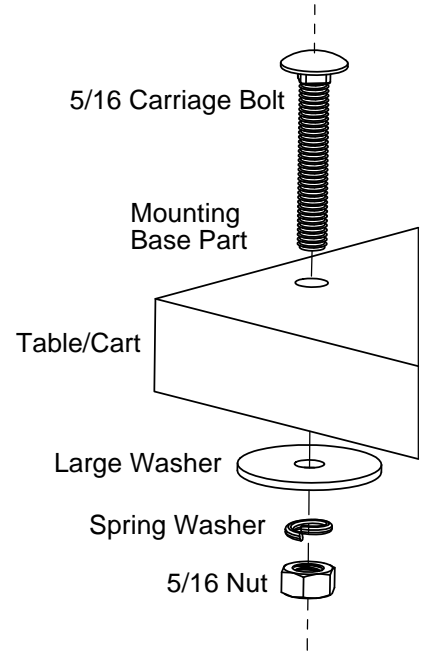
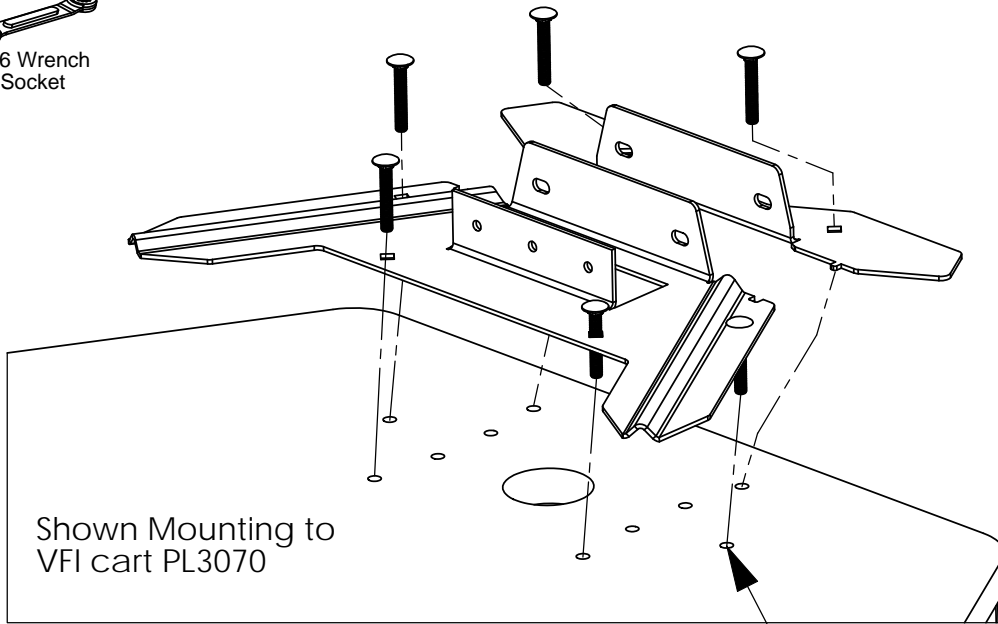
Tools required: (not supplied)



Wrench or Socket (2)
9/16inch
13mm



Tape Measure



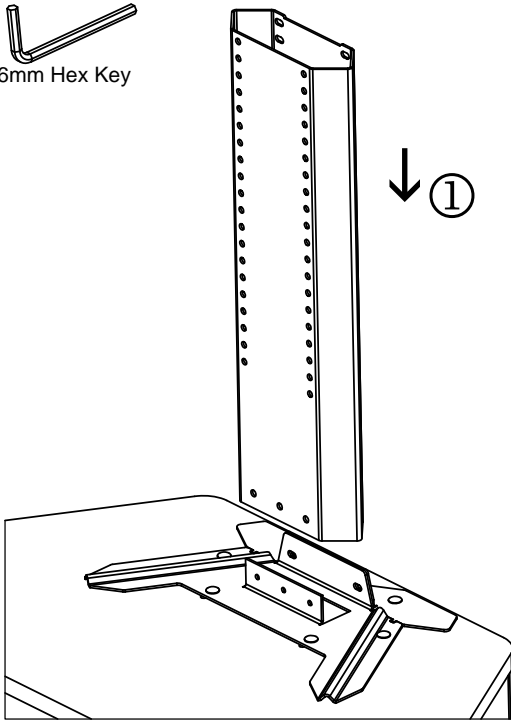
Shown Mounting to
VFI cart PL3070

Tighten all 6 nuts securely

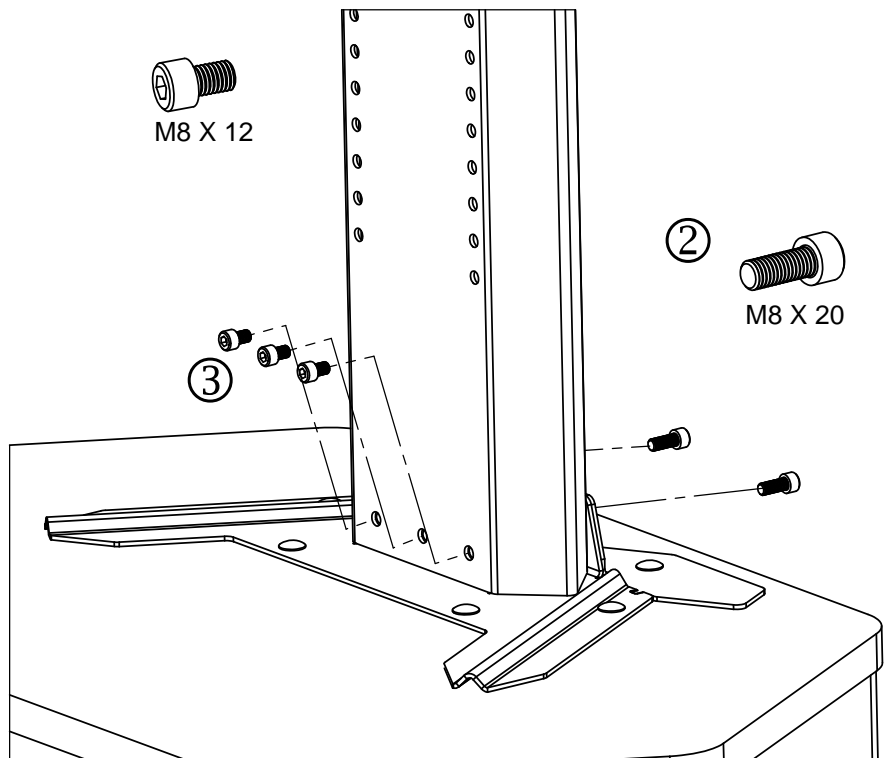


If your cart/table does not have pre-drilled holes.
See Page 7 for optimal placement of base.
Remove grommet if present, surface must be flat.

Step 2 Adding the Mounting Spine

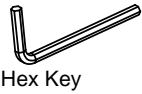


1. Insert Mounting Spine into Base as shown
2. Add the back bolts first. Do not tighten till front and back bolts are in place.
3. Use your 6mm hex key to tighten all 5 bolts



Note: Optional Base cover can be inserted over-top at the end of Step 2. see bottom of page 7 for description.

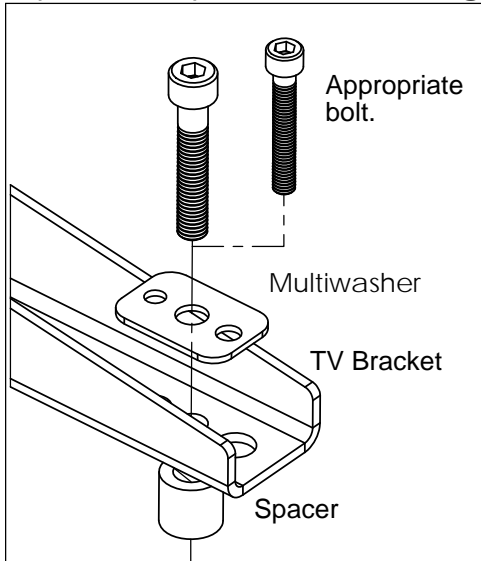
VIDEO FURNITURE INTERNATIONAL



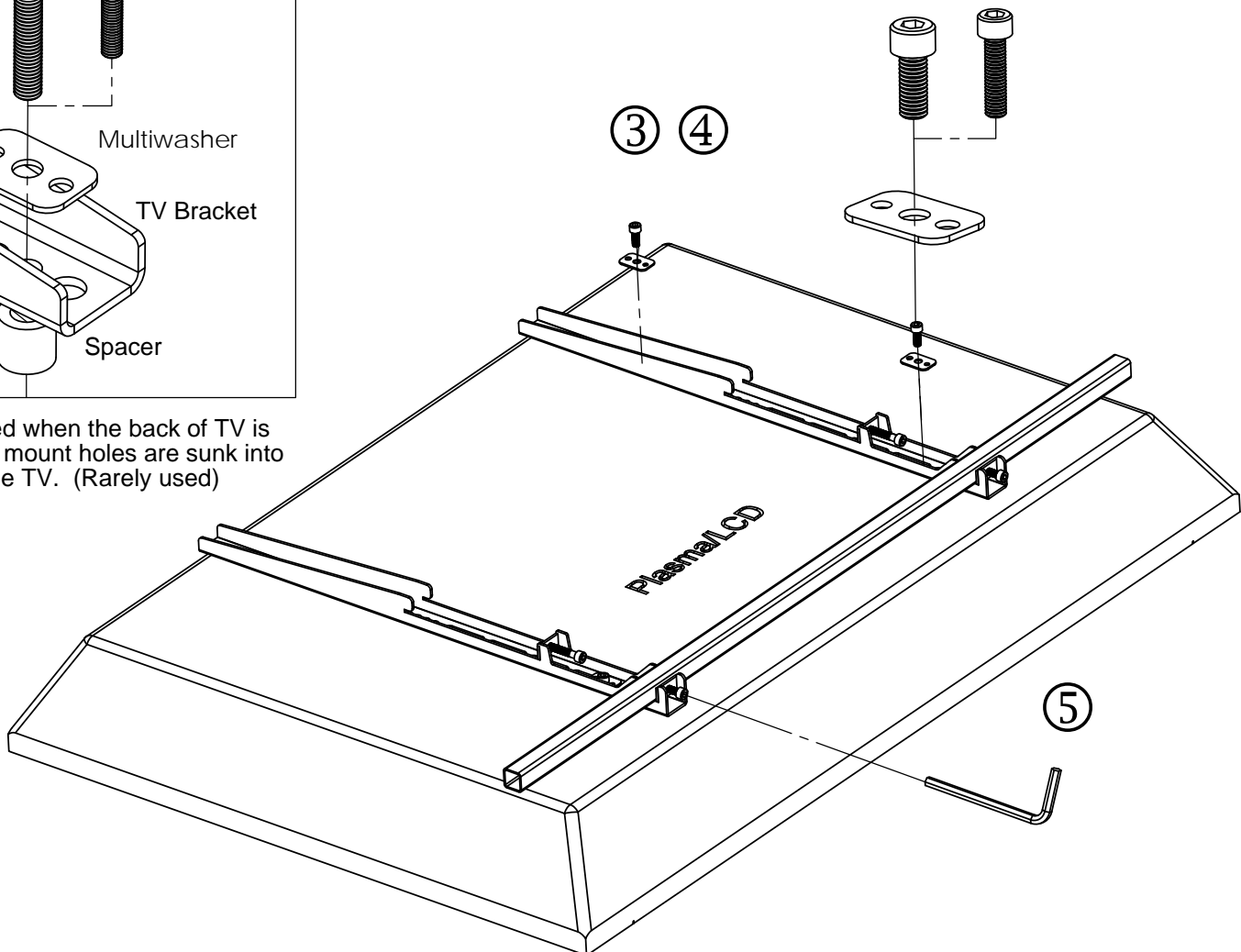
Note. Have 2 people lift the TV as it can be very heavy and awkward.

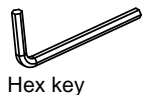
1. Place TV face down on blanket or non abrasive surface such as cardboard.
2. Check to see if your TV came with mounting hardware. If not, we have supplied the most common hardware. Most TV manuals list the required thread and depth for mounting hardware. See which bolt length you need by hand tightening only.
3. Place TV brackets so you can see the TV mounting holes through the bracket and insert bolt through appropriate washer and spring washer for depth adjustment.
4. Use the hex key to tighten until there is resistance, then give a half turn. **DO NOT OVERTIGHTEN AS THIS CAN DAMAGE OR PUNCTURE THE TV**
5. Place XL Brace into the locations at the bottom of the TV brackets while ensuring that it is centred. Use the hex key to tighten until secure.

Optional Spacer mounting

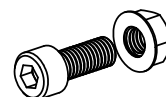


Spacer is used when the back of TV is not flat or the mount holes are sunk into the back of the TV. (Rarely used)

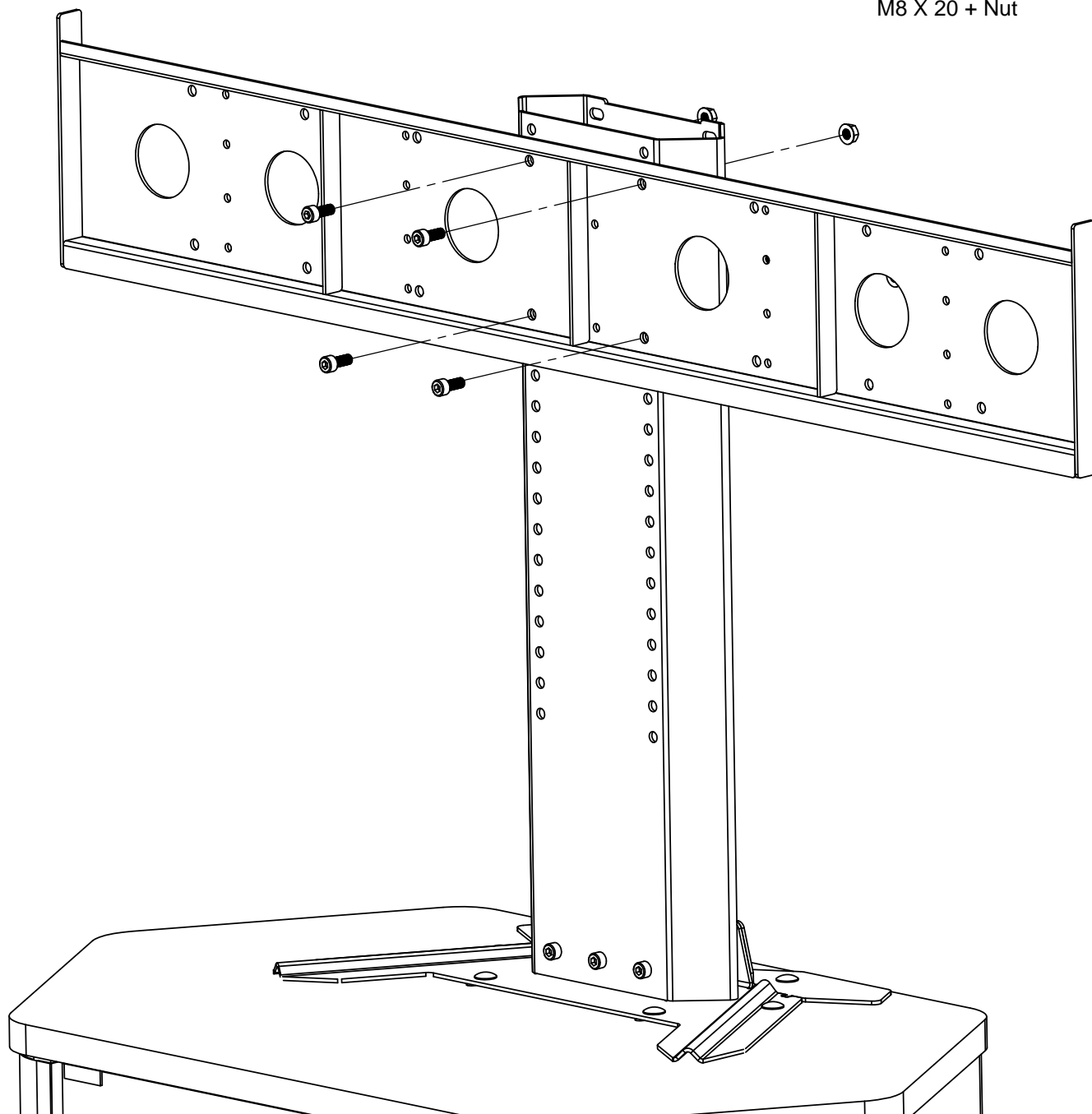


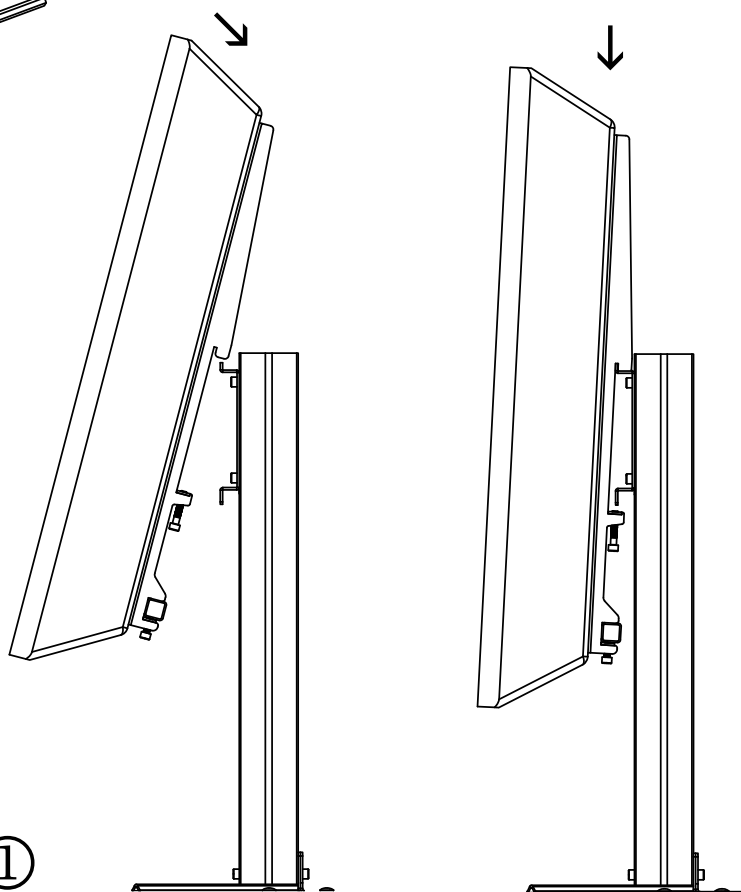
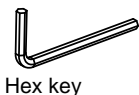


1. Place bracket at desired height.
2. Make sure to center the bracket.
3. Tighten all 4 nuts and bolts.



M8 X 20 + Nut



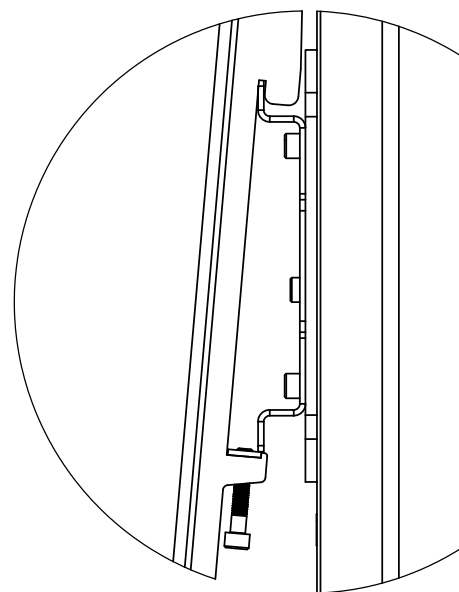


①

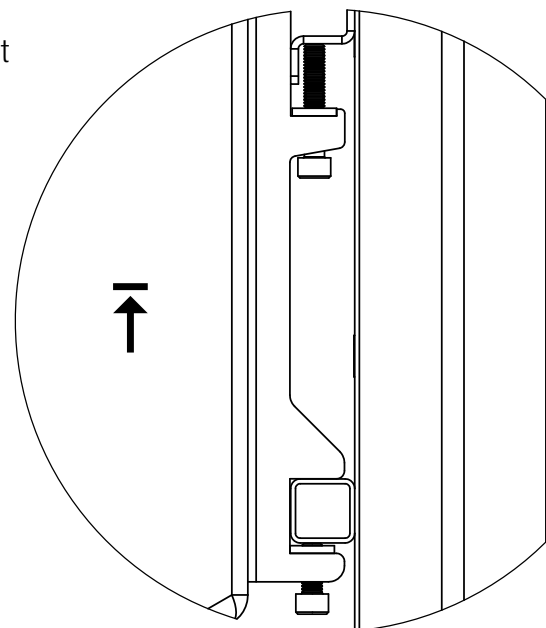
Hang the TV, First Hooking the top of the mounting bracket rail then allowing the TV to rest on the rail.

Note:

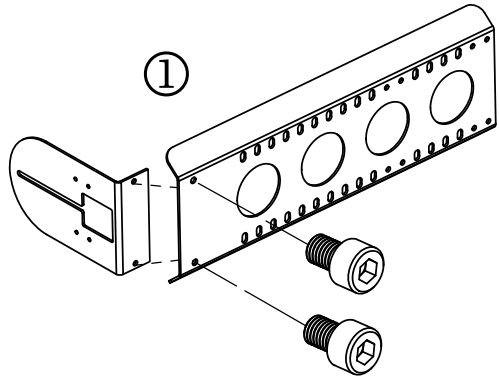
Two people should lift and secure the TV



② Make sure Bolts clear bracket, TV will tilt until its flush with the mount, Turn bolt until it catches on the bracket.

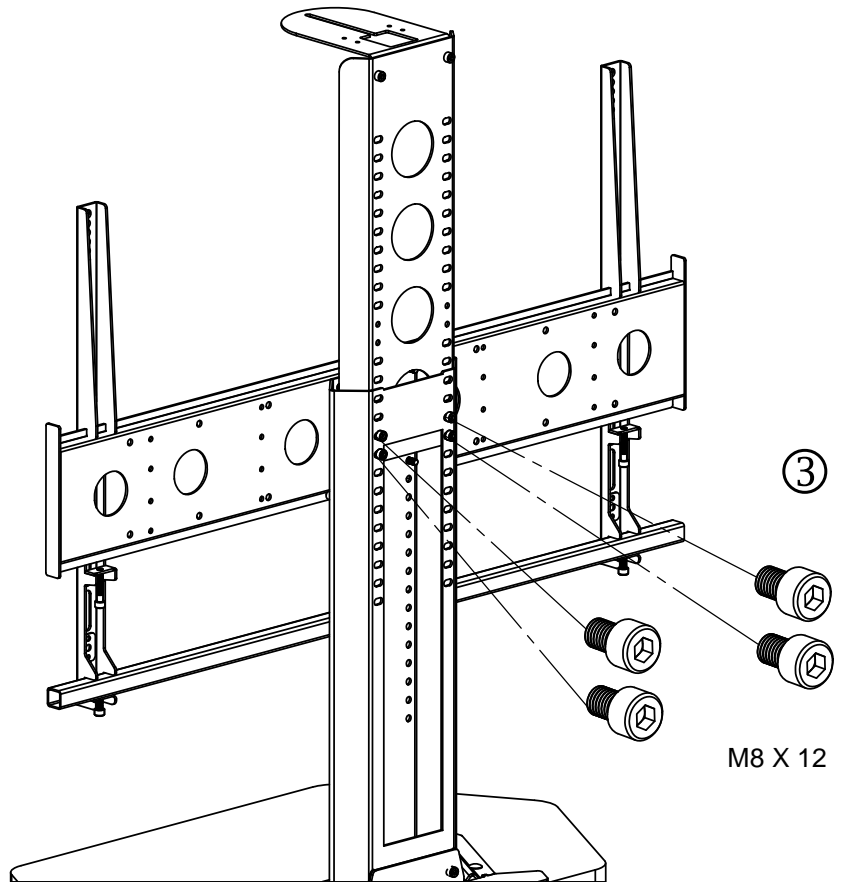
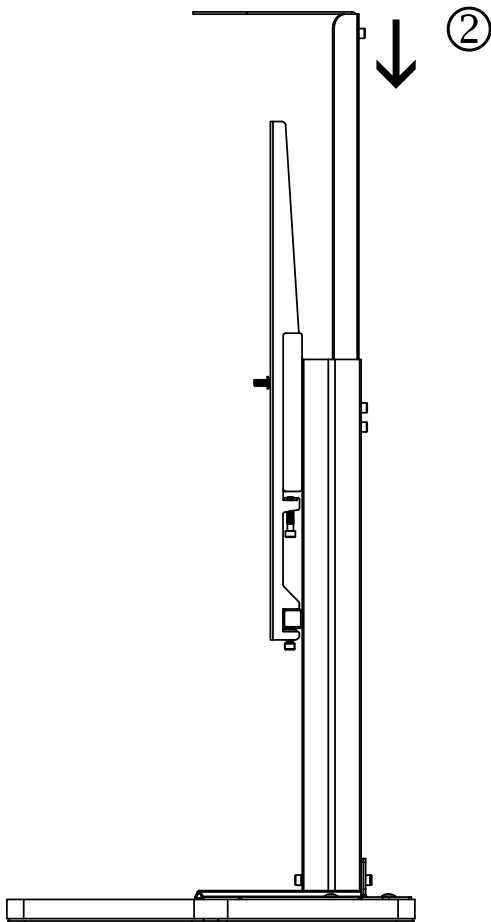


③ Once your TV is centered. Completely tighten bolts against metal bracket and brace.

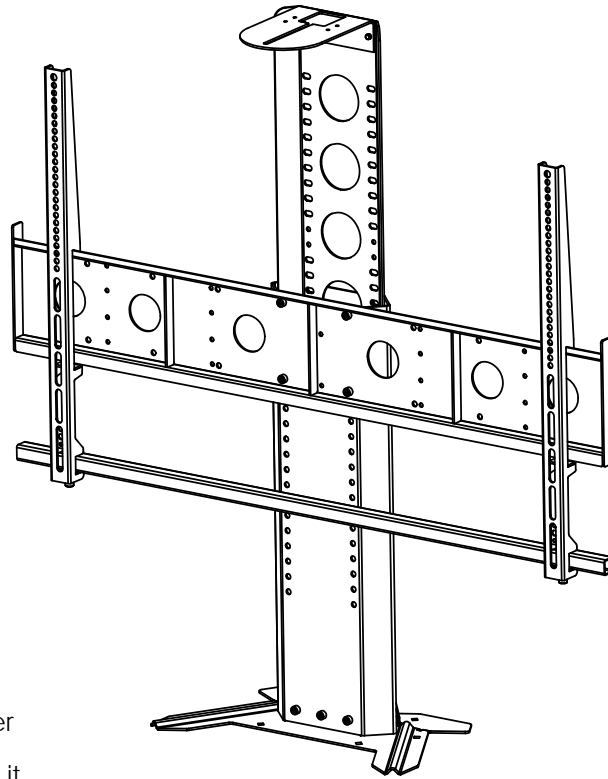


M8 X 12

1. Bolt tongue to camera mount neck
2. Insert mount neck into mounting spine until tongue is approximately 1-2" from the top of the TV.
3. Bolt camera mount neck into mounting spine. Tongue is now ready for camera.



M8 X 12

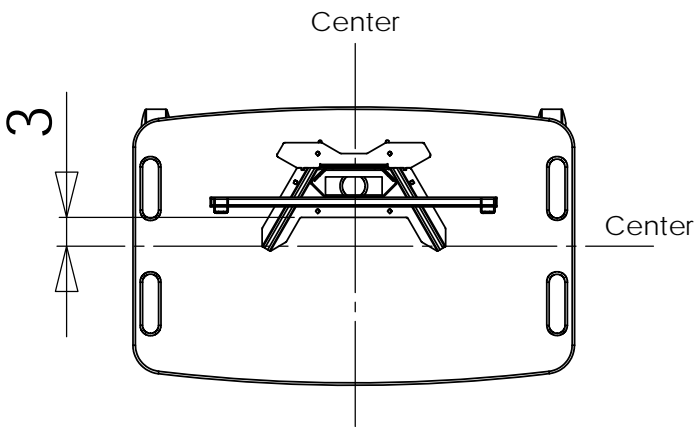


Congratulations! you're done.

You will notice you have a bit of hardware left over which you may need in the future. We suggest placing this in a small bag and taping it inside the bottom back of the spine.

(A PM-S can be upgraded to a PM-D by ordering a PM-D expansion box)

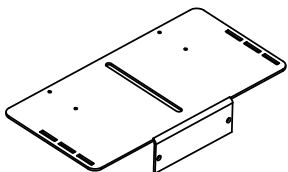
If you have any problems, questions or suggestions, we value your feedback. Toll free 1-877-834-3876



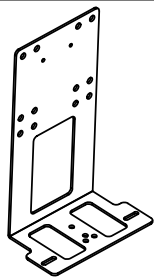
Optimal placement of base.

If your cart did not have pre-drilled holes and you need to locate the mount:
Remove grommet if present, surface must be flat.
Place base 3" back from center.
Mark hole center locations with punch or pencil
Drill through with an 3/8 drill.
Place base and insert all 6 Carriage bolts to confirm holes.

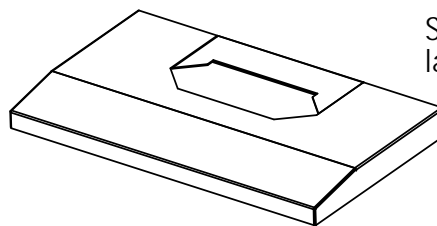
Optional accessories



Codec Plate



Base cover



See www.video-furn.com for latest optional accessories.

VIDEO FURNITURE INTERNATIONAL

190 Don Hillock Aurora, Ontario L4G 0G9 www.video-furn.com
Toll Free: 1-877-834-3876 Fax: 1-905-751-1488 Local: 905-751-1459