



# VIDEO FURNITURE INTERNATIONAL

Furniture Designs That Communicate

## PM-S Plasma/LCD Mount



(Shown with PL3070 - not included)

### Model **PM-S** Single Plasma Mount

VFI introduces fixed mounts for plasma & LCD flat panel TV's. The PM-S mount for single monitors integrates with VFI plasma carts to provide a solid secure connection – creating a truly portable roll-about video system.

Designed for videoconferencing installations, this unit features a camera/codec shelf.

The mount's hidden cable channel allows cable passage from the camera platform right down into the cart's interior cabinet.

For Courtroom and other applications PM-S can also be configured for front and rear facing TV's and cameras. The PM-S accommodates most 32" and up flatscreen TV's.

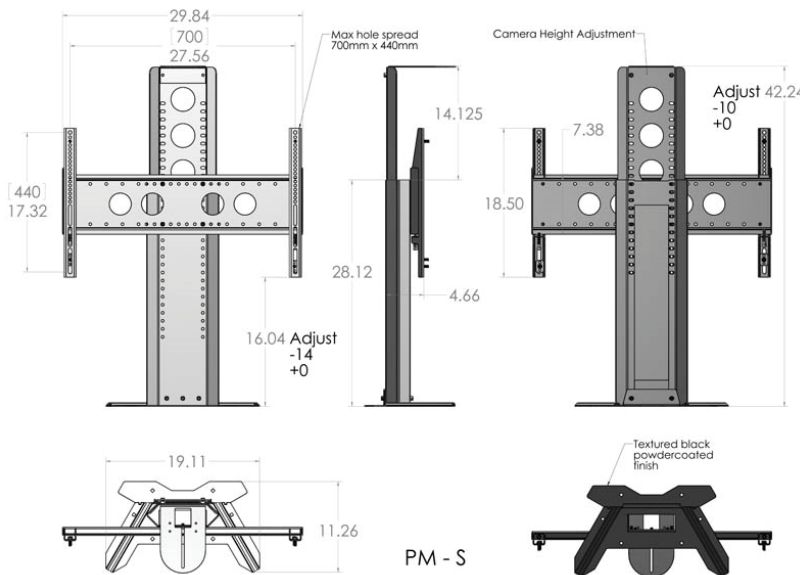
#### Standard Features Include:

- Sturdy 11 Ga steel construction
- Scratch resistant powder coat finish
- Wiring channel inside main pillar
- Adjustable height camera mount during setup
- Adjustable TV bracket height during setup
- Accommodates 32" - 55" displays
- Designed for pre-drilled VFI plasma carts

#### Options:

- **BKT-KIT** Additional TV bracket for additional TV on rear
- **PM-CVR** Cosmetic steel cover for base
- **PM-CMP** Camera mounting plate (Req'd with Eagle Eye)
- **PM-CAM** For mounting camera below TV
- **PM-HDCB** HD Codec bracket
- **PM-HD-EXP** Lifesize Express/200 bracket
- **PM-PB** Mounted six outlet power bar with 10 ft. cord
- **PM-D-BOX** upgrade to PM-D
- **PM-2RU** Bracket
- **CBB-TV** Camera bracket (26" - 70" TV's)

\* Ask your reseller about adding microphones, lights and other add-on options



#### Specifications:

MODEL	COLOR
PM-S	BLACK

VFI can build or modify stock configurations to suit customer specifications. Please contact us to discuss how this service can help meet your needs. Some quantity restrictions may apply.

\* Specification subject to change without notice

\* Computers, cameras, monitors, etc. are shown to illustrate product usage and are not included unless otherwise noted.

190 Don Hillock Drive . Aurora . Ontario . L4G 0G9  
 Tel: (905) 751-1459 Toll Free: (877) 834-3876 Fax: (905) 751-1488  
 sales@video-furn.com www.video-furn.com