



VIDEO FURNITURE INTERNATIONAL

Furniture Designs That Communicate

PM-S-FL Plasma/LCD Stand



Model **PM-S-FL** Plasma/LCD Stand

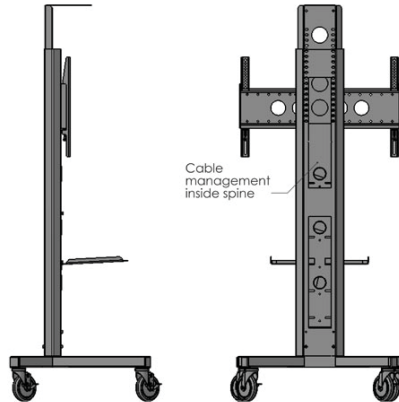
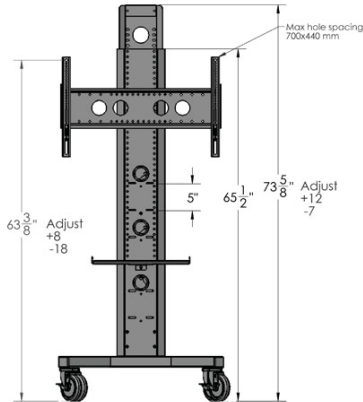
VFI's moveable mounts for plasma and LCD flat panel monitors. The PMS-FL mount for single monitors is a self supporting, wheeled stand with adjustable 6 position shelf for DVD players, cable or satellite receiver, videoconference codecs or audio amplifier. This mount accommodates most 32" to 55"+ monitors. Max mount hole location is 700mm wide X 440mm high.

Standard Features Include:

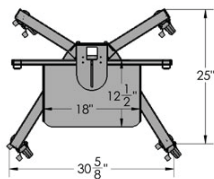
- Sturdy 11 Ga steel construction
- Heavy duty tubular steel base
- Scratch resistant powder coat finish
- 325lb capacity metal 5" casters with ballbearings, non-marking wheels, 2 are locking
- Interior hidden wiring channel
- Adjustable height camera mount during setup
- Adjustable TV bracket height during setup
- Accommodates most 32"- 55" displays
- Includes one shelf 18"w x 11.5"d

Options

- **SH-PM** Additional shelves (up to 6 total)
- **BKT-KIT** Additional bracket for rear or below main TV
- **LB3** Lockbox for codecs/electronics
- **PM-CMP** Camera mounting plate (Req'd with Eagle Eye)
- **PM-HDCB** HD codec bracket
- **PM-CAM** For mounting camera below TV
- **PM-HD-EXP** Lifesize Express/200 bracket
- **PM-PB** Mounted six outlet power bar with 10 ft cord
- **LCD1222** Monitor/touchscreen controller bracket
- **SBB** Sound bar bracket
- **PM-HANDLE** Grab handles
- **CBB-TV** Camera bracket (26" - 70"TV's)
- **BKT-C20** C20 Codec bracket
- **FEET** Adjustable height feet for non-mobile installs
- **PM-DSH** Work surface with side handles



PM-S-FL



Specifications:

BLACK

MODEL	WIDTH	DEPTH	HEIGHT
PM-S-FL	30 7/8"	26 1/4"	65" +

VFI can build or modify stock configurations to suit customer specifications. Please contact us to discuss how this service can help meet your needs. Some quantity restrictions may apply.

* Specification subject to change without notice

* Computers, cameras, monitors, etc. are shown to illustrate product usage and are not included unless otherwise noted.

190 Don Hillock Drive . Aurora . Ontario . L4G 0G9

Tel: (905) 751-1459 Toll Free: (877) 834-3876 Fax: (905) 751-1488

sales@video-furn.com

www.video-furn.com