



VIDEO FURNITURE INTERNATIONAL

Furniture Designs That Communicate

MM1232 LCD Stand



Model MM1232 LCD Stand

VFI's MM1232 makes an ideal mount for inexpensive smaller videoconferencing setups, either desktop mounted or on a mobile cart.

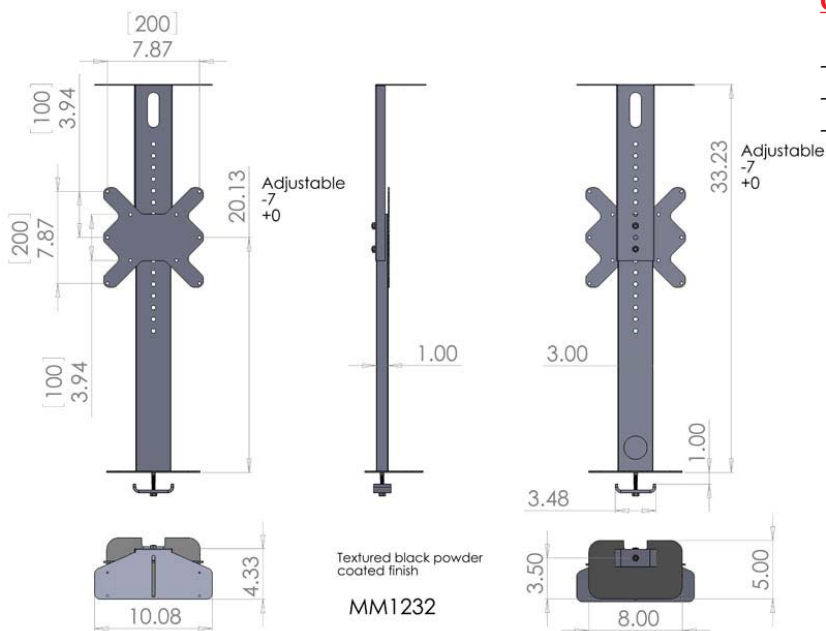
This mount accommodates most 12" to 32" and some 37". Monitor/TV mount holes will fit 100x100, 200x100 and 200x200 mm.

Standard Features Include:

- Sturdy 11 Ga steel construction
- Steel tube construction
- Scratch resistant powder coat finish
- Attaches to desk surface through grommet or drilled hole
- Adjustable height camera mount during setup
- Adjustable TV bracket height during setup
- Designed for 12" - 32" displays (200mm X 200mm max), but will accommodate some 37"

Options

- **PB** Six outlet power bar with 10 ft. cord
- **CBB-TV** Camera bracket (26" - 70" TV's)
- **BKT-C20** C20 Codec bracket



Specifications:

BLACK

MODEL	WIDTH	DEPTH	HEIGHT
MM1232	10"	5"	23" - 33"

VFI can build or modify stock configurations to suit customer specifications. Please contact us to discuss how this service can help meet your needs. Some quantity restrictions may apply.

* Specification subject to change without notice

* Computers, cameras, monitors, etc. are shown to illustrate product usage and are not included unless otherwise noted.

190 Don Hillock Drive . Aurora . Ontario . L4G 0G9

Tel: (905) 751-1459 Toll Free: (877) 834-3876 Fax: (905) 751-1488

✉ sales@video-furn.com 🌐 www.video-furn.com