



VIDEO FURNITURE INTERNATIONAL

Furniture Designs That Communicate

MCB1925 Monitor Camera Bracket



Model

MCB1925

19" - 25" Monitor Camera Bracket

VFI's MCB1925 makes an ideal mount for mating videoconferencing cameras to computer monitors. This mount accommodates most 19" to 25" monitors. Installation is quick with all hardware and spacers included for mounting on monitor arms or free standing monitors.

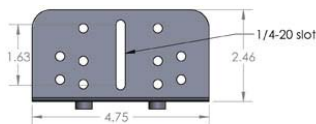
Fits 100x100mm and 75x75mm

Standard Features Include:

- Sturdy steel construction
- Scratch resistant powder coat finish
- Height adjustment for different size monitors
- Includes plate for wider cameras such as EagleEye™
- Designed for 19" - 25" displays (100mm X 100mm max), but will accommodate some 17"

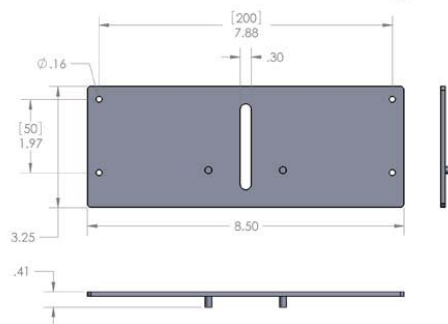
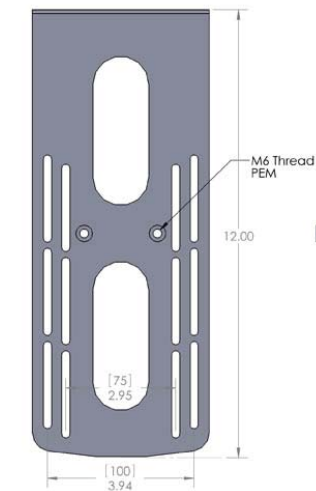
Options

- **PB** Six outlet power bar with 10 ft. cord



MCB1925

Textured black powder coated finish



Specifications:

BLACK

MODEL	WIDTH	DEPTH	HEIGHT
MCB1925	4 3/4"	2 1/2"	12"

VFI can build or modify stock configurations to suit customer specifications. Please contact us to discuss how this service can help meet your needs. Some quantity restrictions may apply.

* Specification subject to change without notice

190 Don Hillock Drive . Aurora . Ontario . L4G 0G9

Tel: (905) 751-1459 Toll Free: (877) 834-3876 Fax: (905) 751-1488

✉ sales@video-furn.com 🌐 www.video-furn.com