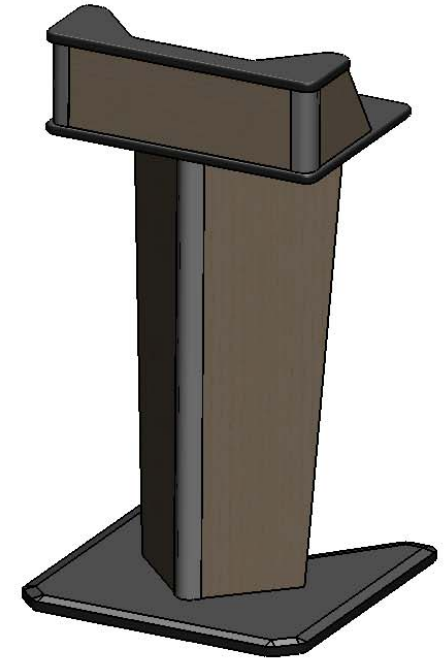
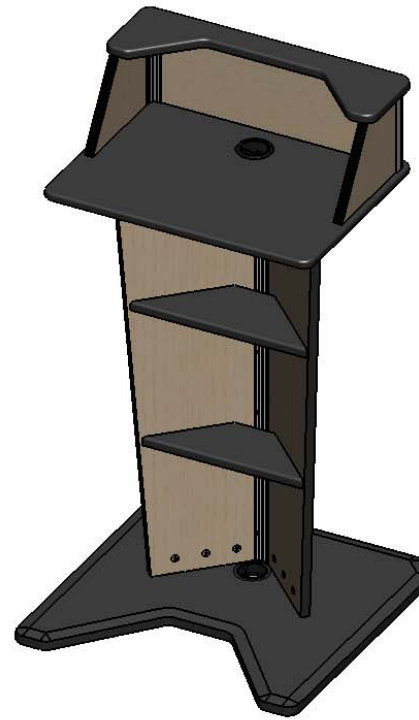
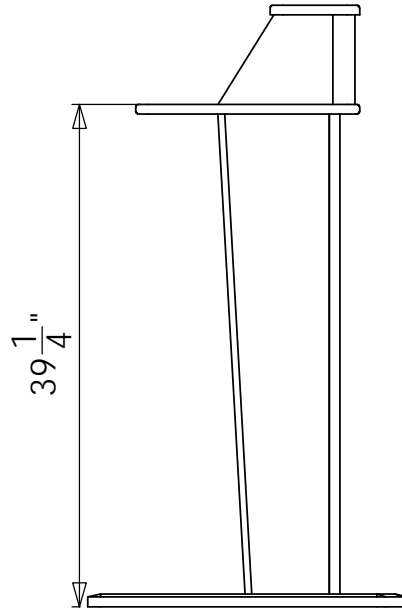
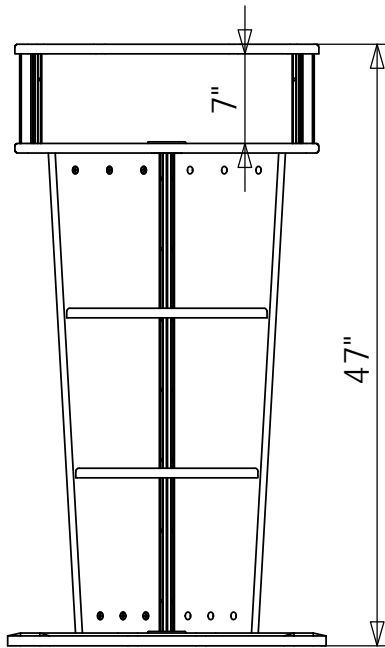
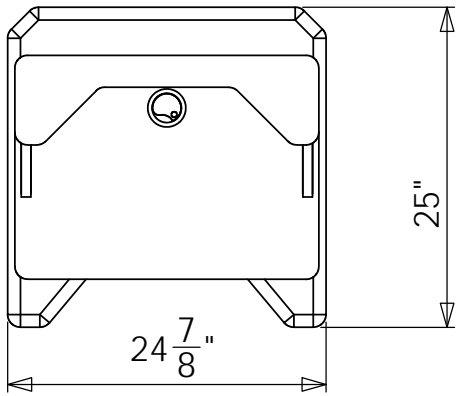


THE INFORMATION CONTAINED IN THIS DRAWING IS THE SOLE PROPERTY OF "VFI".
 ANY REPRODUCTION IN PART OR WHOLE WITHOUT THE WRITTEN PERMISSION OF "VFI" IS PROHIBITED.



APPLICATION:	VFI			PART NAME: LE4001		
		BY	DATE	DRAWING NAME : Sheet1		
UNLESS OTHERWISE SPECIFIED DIMENSIONS ARE IN INCHES	DRAWN	NZ	16/08/2010	PROGRAM NAME AND LOCATION:		
	CHECKED					
TOLERANCE:	APPROVED			SCALE: 1:10	REV.: 1.4	SHEET 1 OF 1