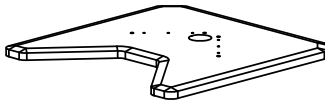


Thank you for purchasing VFI's V Lectern.

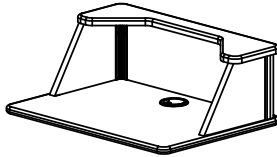
**Note:** If you cannot understand these instructions or are concerned about safety of the installation Contact a qualified contractor or contact VFI at 1-877-834-3876.

Confirm all hardware is included before you begin assembly.

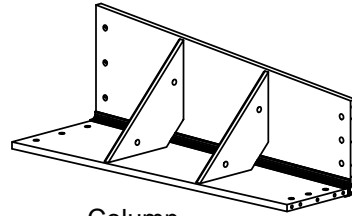
### Supplied Parts:



Bottom



Top

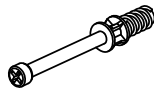


Column

### Supplied Hardware:



Wood Dowel  
(8)

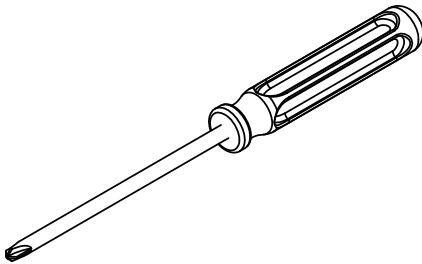


Metal Dowel  
(12)

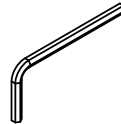


CAM connector  
(12)

### Tools required:

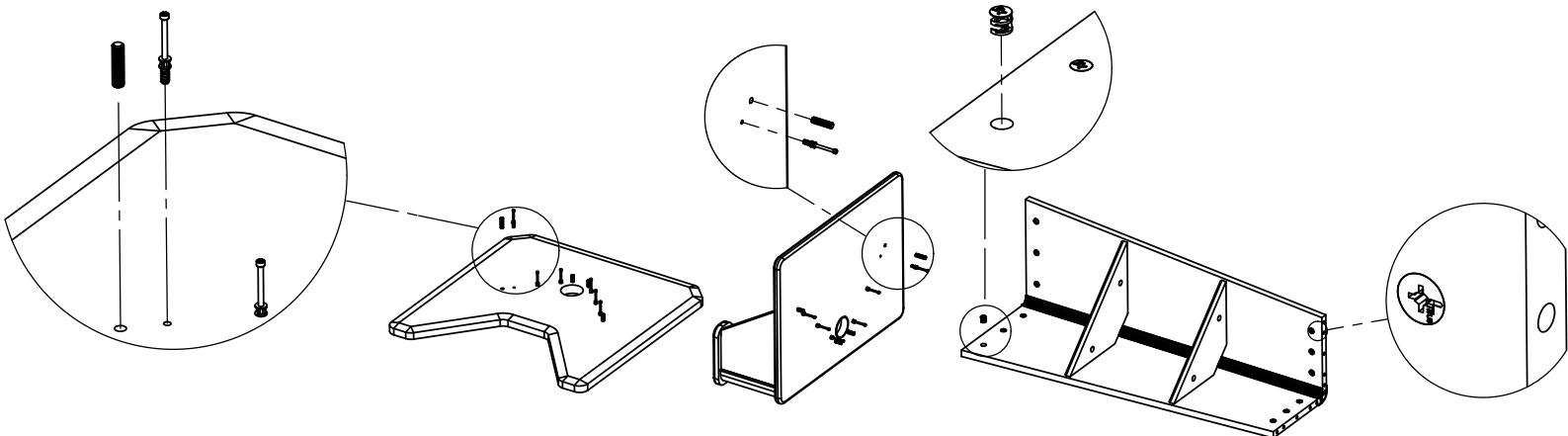


Pozidriv (SupaDriv) screwdriver



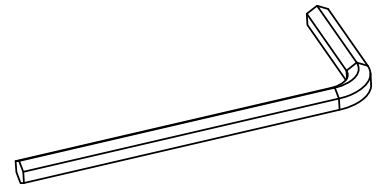
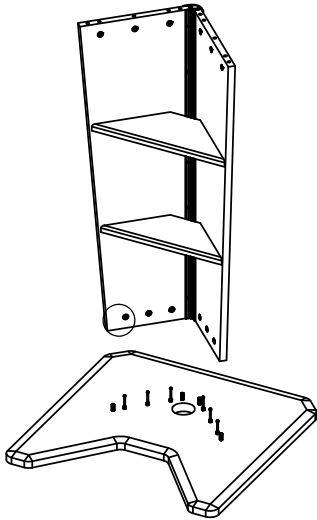
4mm (5/32") Hex Key

### Step 1. Inserting Fasteners.



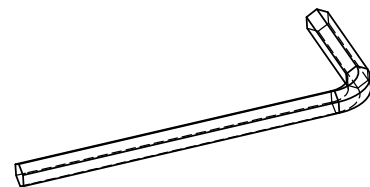
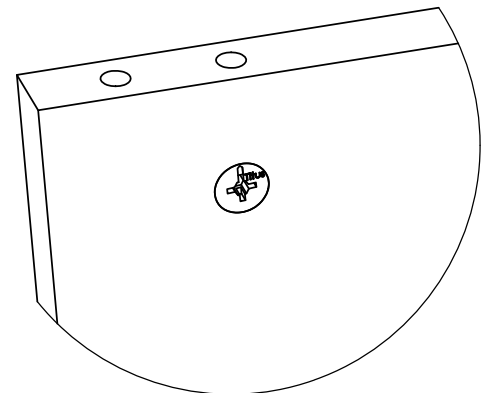
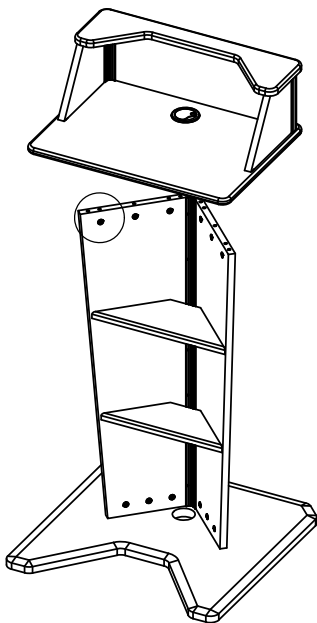
**Step 2.**

Attach Column to Bottom. Using Hex Key tighten CAM Connectors.



**Step 3.**

Attach Top to Column. Using Hex Key tighten CAM Connectors.



You're Finished.

**VIDEO FURNITURE INTERNATIONAL**

190 Don Hillock Drive Aurora, Ontario L4G 0G9 [www.video-furn.com](http://www.video-furn.com)  
Toll Free: 1-877-834-3876 Fax: 1-905-751-1488 Local: 905-751-1459