



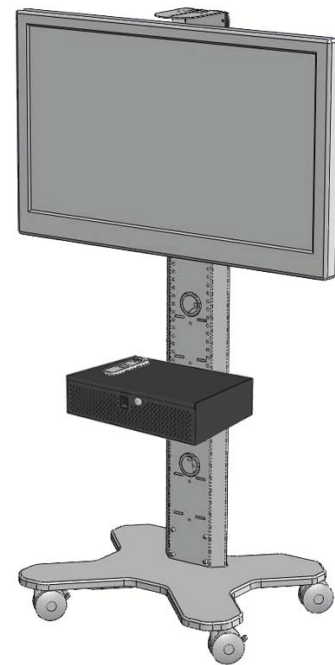
VIDEO FURNITURE INTERNATIONAL

Furniture Designs That Communicate.

LB3, Lockbox mount option

Model **LB3** Codec Lockbox

Need to secure a Codec or electronic device on a PMS-FL or 19" rackmount? Do it with VFI's vented Lockbox LB3 (3rack units) Heavy duty vandal resistant steel construction finished in a durable black powder coat. Perfect for storing electronics and accessories like remotes and cables.



Standard Features Include:

- Heavy duty vandal resistant welded steel design.
- Includes rack ears for standard 19" rack mounting
- Designed for the PMS-FL and standard racks.
- Perforation at front allows infrared remote operation
- Venting in door and bottom
- 3 grommets in back for cable management
- Heavy duty powder coated finish.
- LB3 inside clear 17 1/4" W x 15" D x 4 1/4"H

Specifications:

MODEL	WIDTH	DEPTH	HEIGHT	
LB3	17 5/8"	16"	5 1/2"	3 RU



BLACK

VFI can build or modify stock configurations to suit customer specifications. Please contact us to discuss how this service can help meet your needs. Some quantity minimums may apply.

* Specification subject to change without notice.

* Computers, cameras, TV, monitors, etc. are shown to illustrate product usage and are not included unless otherwise noted.

190 Don Hillock Drive . Aurora . Ontario . L4G 0G9

Tel: (905) 751-1459 Toll Free: (877) 834-3876 Fax: (905) 751-1488

sales@video-furn.com

www.video-furn.com