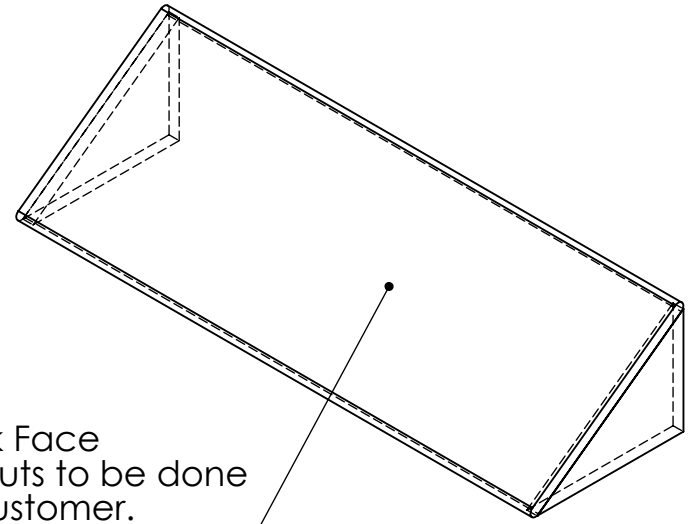
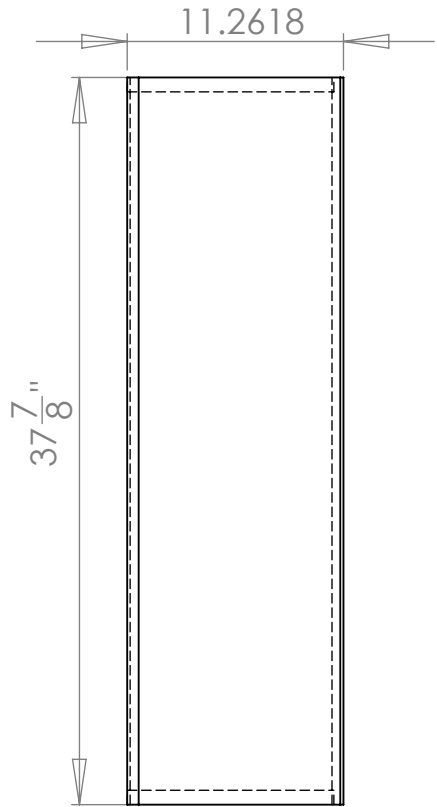
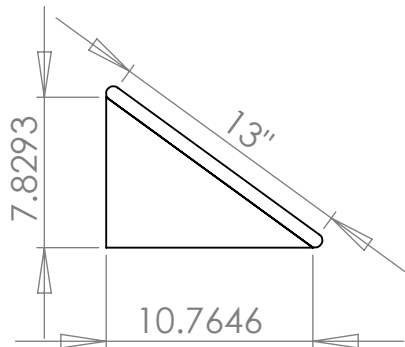


THE INFORMATION CONTAINED IN THIS DRAWING IS THE SOLE PROPERTY OF "VFI".
 ANY REPRODUCTION IN PART OR WHOLE WITHOUT THE WRITTEN PERMISSION OF "VFI" IS PROHIBITED.



Blank Face
 Cutouts to be done
 by customer.
 (drill+ Jigsaw)

Fits the following
 Units.
 PD3001
 PD3002



APPLICATION:	VFI		PART NAME:		
			CNL38		
UNLESS OTHERWISE SPECIFIED DIMENSIONS ARE IN INCHES	DRAWN	BY	DATE	DRAWING NAME :	
	CHECKED		16/08/2007	Sheet1	
TOLERANCE:	APPROVED			PROGRAM NAME AND LOCATION:	
				SCALE: 1:10	REV.: SHEET 1 OF 1