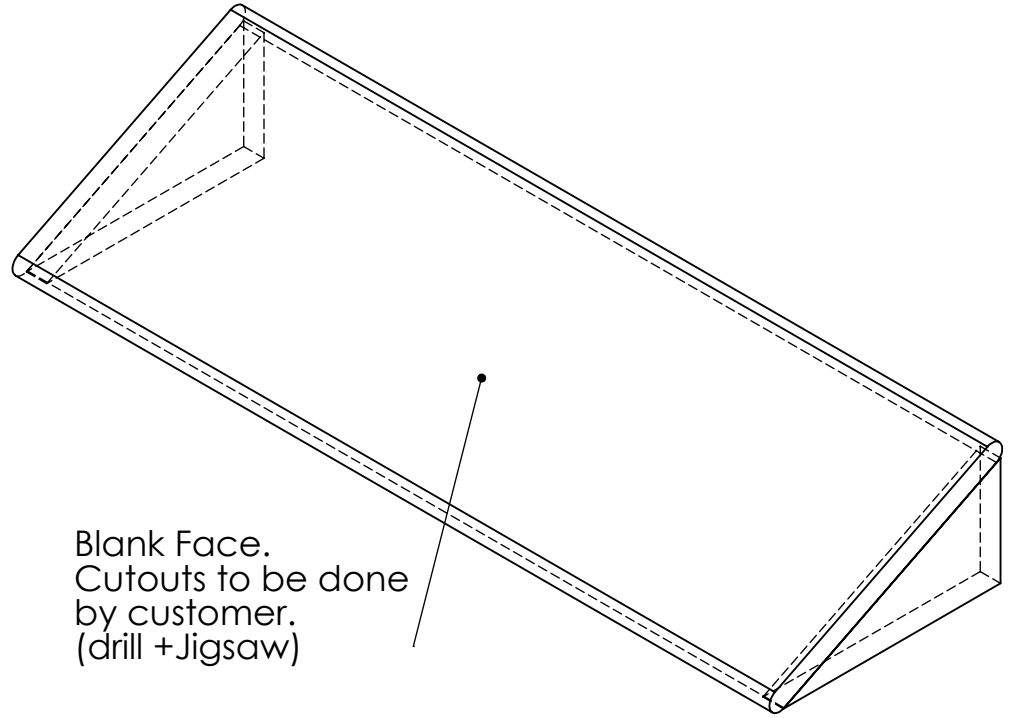
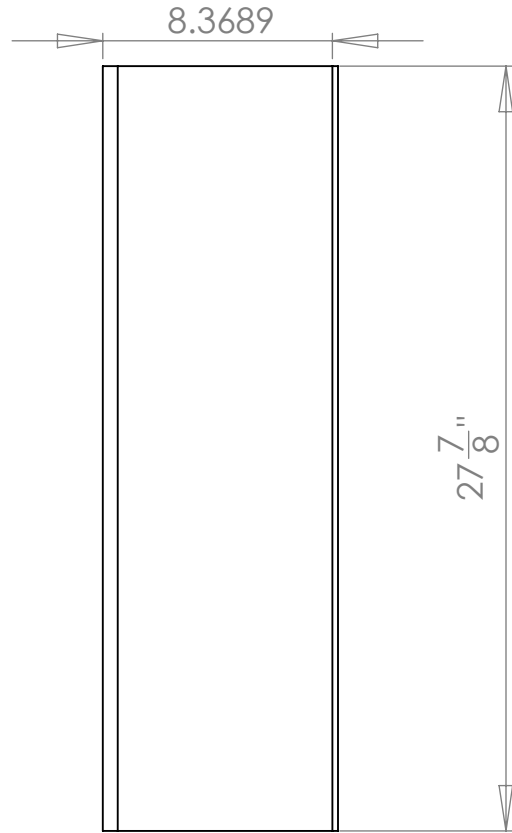
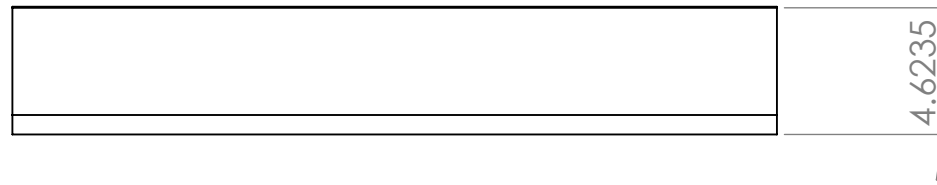
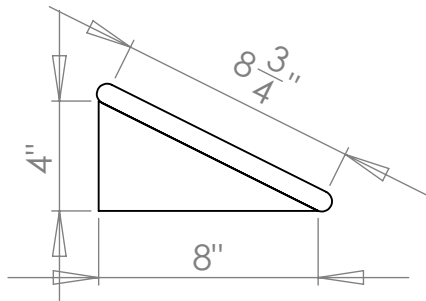


THE INFORMATION CONTAINED IN THIS DRAWING IS THE SOLE PROPERTY OF "VFI".
 ANY REPRODUCTION IN PART OR WHOLE WITHOUT THE WRITTEN PERMISSION OF "VFI" IS PROHIBITED.



Fits the following units:
 PD3003
 PD3004



| | | | | |
|-----------------------------------------------------|------------|----|--------------------------|--------------------------------------|
| APPLICATION: | VFI | | PART NAME: CNL28 | |
| | | | DRAWING NAME : Sheet1 | |
| UNLESS OTHERWISE SPECIFIED DIMENSIONS ARE IN INCHES | DRAWN | BY | DATE | PROGRAM NAME AND LOCATION: |
| | CHECKED | | 16/08/2007 | |
| TOLERANCE: | APPROVED | | | SCALE: 1:10 REV.: SHEET 1 OF 1 |