



VIDEO FURNITURE INTERNATIONAL

Furniture Designs That Communicate

C900S Adjustable LCD Monitor Arm

Model C900S 15" - 19" LCD Adjustable Monitor Arm

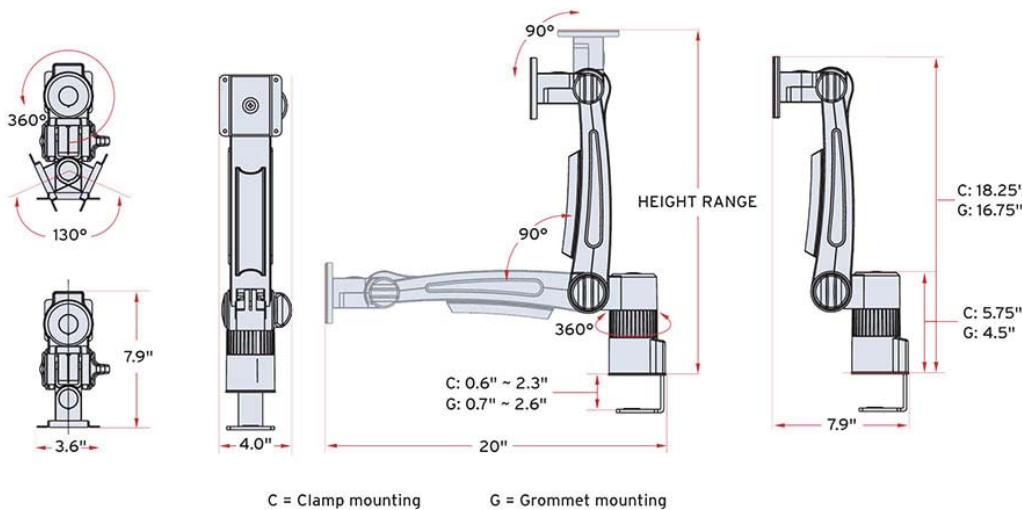
VFI's introduces mounts for 15" - 19" LCD flat panel monitors. The C900S LCD monitor arm enables a full range of motion and ensures a high degree of monitor stability. Simple and easy to install and use, C900S is ideal for lecterns, podiums, RDY2GO and AV carts.

Standard Features Include:

- Low-profile mounting system and integrated cable management snap-on shroud
- Multi-directional swivel system
- Accommodates most 15" - 19" LCD monitors
- 75mm and 100mm standard mounting plate
- Swivel adjustment on arm base and mounting head
- Tension control knobs
- Designed to counterbalance monitor weights from 6 to 12 lbs
- Installs easily on any lectern, podium, RDY2GO and A/V Cart
- Grommet mounting option included



C900S installed on an EDU-LE lectern
(Sold separately)



Specifications:

BLACK

MODEL	WIDTH	DEPTH	HEIGHT
C900-S	4"	8"	19"

VFI can build or modify stock configurations to suit customer specifications. Please contact us to discuss how this service can help meet your needs. Some quantity restrictions may apply.

* Specification subject to change without notice

190 Don Hillock Drive . Aurora . Ontario . L4G 0G9

Tel: (905) 751-1459 Toll Free: (877) 834-3876 Fax: (905) 751-1488

✉ sales@video-furn.com 🌐 www.video-furn.com