



VIDEO FURNITURE INTERNATIONAL

Furniture Designs That Communicate

C2736 Tech Series Single

Model **C2736** Tech Series Single Stand

The VFI Tech series monitor stand is truly an all-in-one stand that will accommodate 32" to 55" displays. Tech Series stands have built in handles for easy maneuvering and a super wide wheel base that provides an extra measure of safety for heavy or oversized monitors. The large interior compartment is vented to accommodate any PC, codec or other interior electronics. The rear door allows easy wiring access to your equipment.



(Shown with mount option)

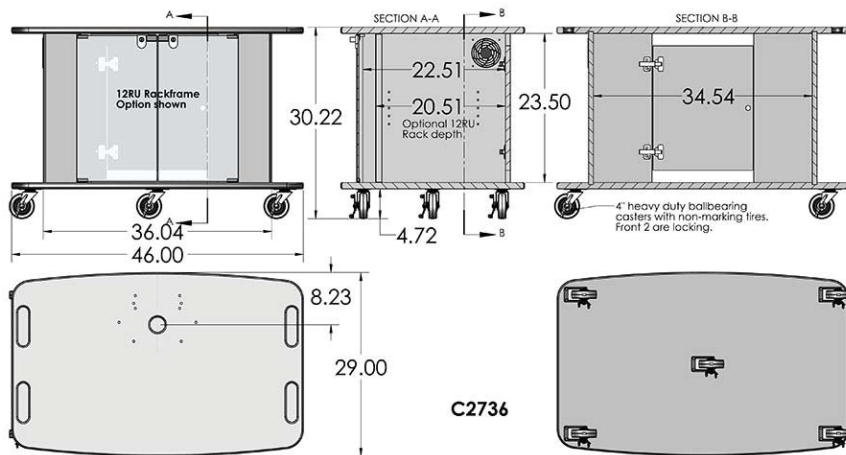


Standard Features Include:

- "Fortress" scratch resistant paint
- Built in handles for easy maneuvering
- Rear door for easy access
- Two rear panel cable access slots
- Capable of supporting 500 lbs (225 kg)
- Heavy duty casters for easy maneuvering
- Tinted tempered glass doors
- Ships fully assembled
- Permanent construction process

Options

- **PM-S** Single plasma/LCD mount
- **PM-D** Dual plasma/LCD mount
- **PM-S-XL** Large plasma/LCD mount
- **PM-CVR** Plasma mount base cover
- **PM-CMP** Camera plate
- **MM1232** 12" - 32" LCD Mount
- **CAM** Camera Mount
- **SHLF** Adjustable interior shelf
- **PB** Six outlet power bar with 10 ft. cord
- **DL** Security package for front and rear doors
- **RMT12** Space rack mount kit
- **FAN** Additional 120mm quiet fan (53CFM)
- Rack accessories



Specifications:

BLACK

MODEL	WIDTH	DEPTH	HEIGHT
C2736	46"	29"	30"

VFI can build or modify stock configurations to suit customer specifications. Please contact us to discuss how this service can help meet your needs. Some quantity restrictions may apply.

* Specification subject to change without notice

* Computers, cameras, monitors, etc. are shown to illustrate product usage and are not included unless otherwise noted.

165 Don Hillock Drive . Aurora . Ontario . L4G 0G9

Tel: (905) 751-1459 Toll Free: (877) 834-3876 Fax: (905) 751-1488

sales@video-furn.com

www.video-furn.com