



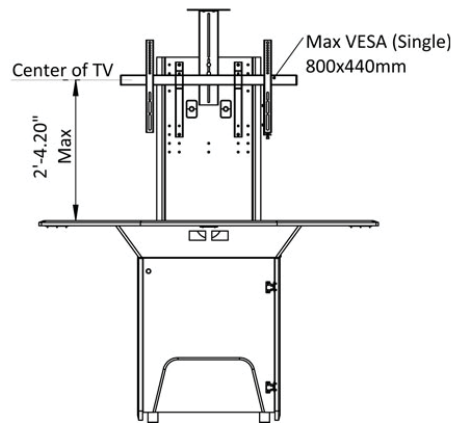
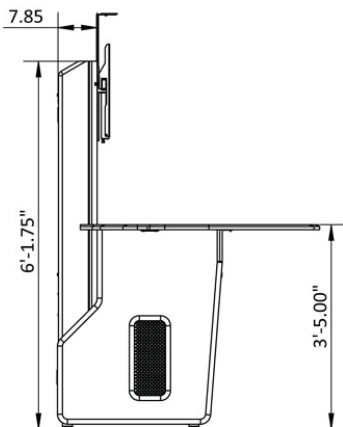
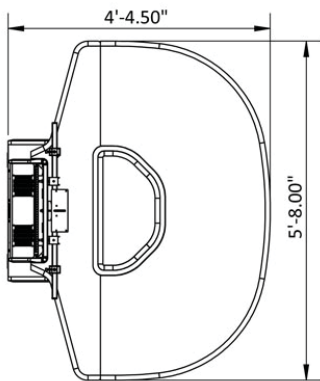
Designed primarily for quick meetings, the T628T-NE table is ideal for open concept room spaces and huddle rooms.

Standard Features

- 42" bar height tabletop
- 3 to 4 people
- Includes TP800 monitor stand (Choice of single-S, dual-D or single-XL display brackets)
- TP800 includes camera mount and 3U rack
- One large vented base compartments to house drop-in racks or PC's
- Island is designed to conceal inputs/outputs and power supplies
- 10U drop-in rack
- Highly resistant thermowrap surface in many colors

Options

- **T628 Extension** Accommodates 4 additional people
- **PLM1022** 10" - 24" LCD monitor mount
- **CS** Wall mount camera or codec shelf
- **CBB-TV** Under TV camera bracket (26" - 80" TV's)
- **PB** Six outlet power bar with 10 ft. cord
- **CUB3** Round cable well
- **CUB4** Black-B/Silver-S Power Panel
- **CUB5** Round cable well
- **CUB8** Table top cable well
- **PC-PATCH** 2x 110AC, RJ45, Phone, 2x USB
- **SF-PB3** Surface mounted 3-outlet 120V power bar
- **CHGQIW** Wireless charging station white
- **CHGQI-DNGL** Dongle lightning, 30-pin, Micro-USB. Requires CHGQIW.
- **9031** Vented metal shelf
- **9041** Sliding shelf
- **9052** Sliding drawer
- **DIR9200-12** 12U Rack module
- **GRC60** 60mm Round grommet. Black-B, white-W & grey-G
- **CUSTOM CUTOUT** Cutouts for electronics or other items specified by the customer



Specifications

Model: T628T-NE
Width: 68"
Depth: 52.5"
Height: 42"

Finishes



The information contained in this drawing is the sole property of Audio Visual Furniture International. Any reproduction in part or as a whole without the written permission of Audio Visual Furniture International is prohibited. AVFI can build or modify stock configurations to suit customer specifications. Please contact us to discuss how this service can help meet your needs. Some quantity restrictions may apply. Specification subject to change without notice. Computers, cameras, monitors, etc. are shown to illustrate product usage and are not included unless otherwise noted.