



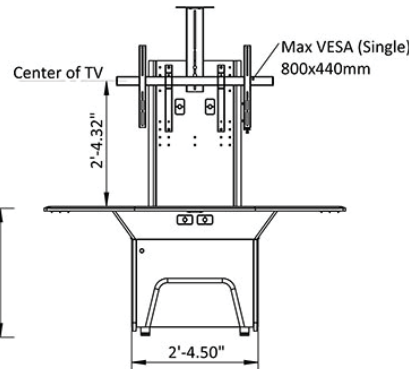
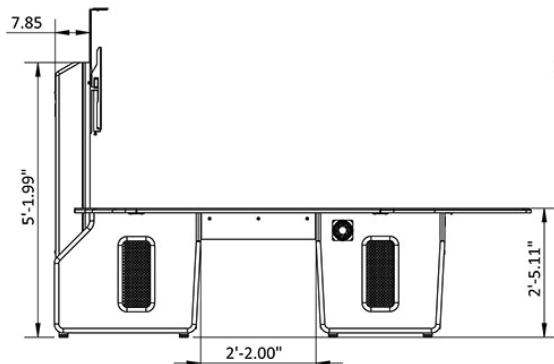
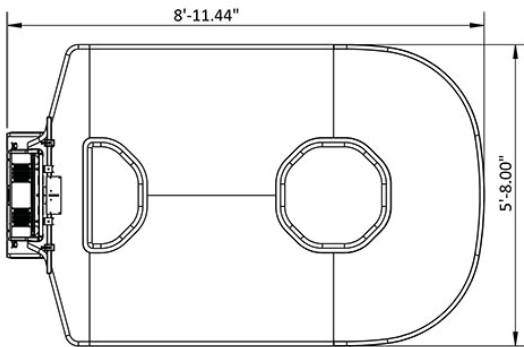
Designed primarily for collaboration, the **T628** table brings a clean look to today's high-tech group environment. It features two large base compartments designed to house racks or PC's up to 9U; islands are designed to conceal inputs/outputs and power supplies.

Standard Features

- 6 to 8 people
- Large table surface
- Includes TP800 monitor stand (Choice of single-S, dual-D or single-XL display brackets)
- TP800 includes camera mount and 3U rack
- Two large vented base compartments to house drop-in racks or PC's up to 9U
- Islands are designed to conceal inputs/outputs and power supplies
- 8U drop-in rack
- Highly resistant thermowrap surface in many colors

Options

- **T628 Extension** Accommodates 4 additional people
- **PLM1022** 10" - 24" LCD monitor mount
- **CS** Wall mount camera or codec shelf
- **CBB-TV** Under TV camera bracket (26" - 80" TV's)
- **PB** Six outlet power bar with 10 ft. cord
- **CUB3** Round cable well
- **CUB4** Black-B/Silver-S Power Panel
- **CUB5** Round cable well
- **CUB8** Table top cable well
- **POP5** Pop-up connection panel
- **PC-PATCH** 2x 110AC, RJ45, Phone, 2x USB
- **SF-PB3** Surface mounted 3-outlet 120V power bar
- **CHGQIW/B** Wireless charging station white or black
- **CHGQI-DNGL** Dongle lightning, 30-pin, Micro-USB. Requires CHGQIW/B
- **9031** Vented metal shelf
- **9041** Sliding shelf
- **9052** Sliding drawer
- **DIR9200-8** 8U Rack module
- **GRC60** 60mm Round grommet. Black-B, white-W & grey-G
- **CUSTOM CUTOUT** Cutouts for electronics or other items specified by the customer



Specifications

Model: T628
Width: 68"
Depth: 107.54"
Height: 30"

Finishes



The information contained in this drawing is the sole property of Audio Visual Furniture International. Any reproduction in part or as a whole without the written permission of Audio Visual Furniture International is prohibited. AVFI can build or modify stock configurations to suit customer specifications. Please contact us to discuss how this service can help meet your needs. Some quantity restrictions may apply. Specification subject to change without notice. Computers, cameras, monitors, etc. are shown to illustrate product usage and are not included unless otherwise noted.