



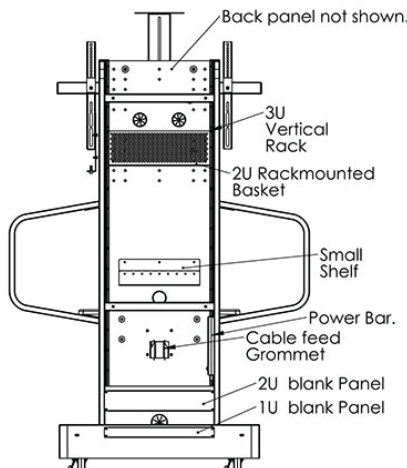
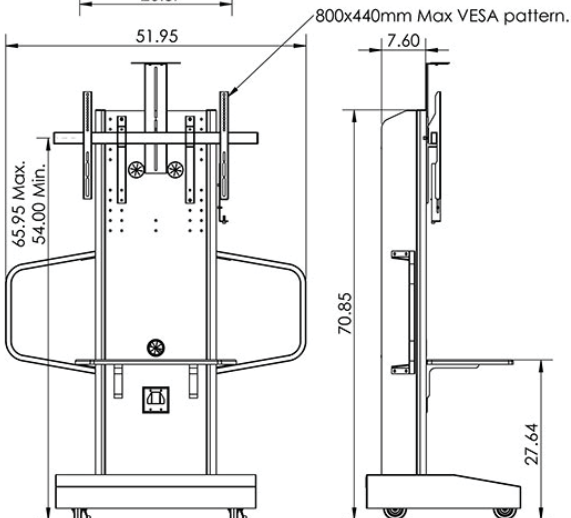
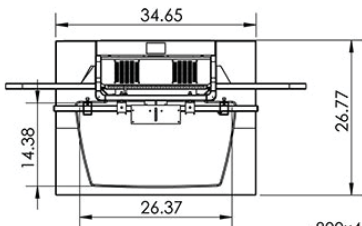
TP1200-S stand for single monitors provides a platform ready for mobile room conferencing and interactive systems. It features handles, front shelf, cable storage grommets, TV mount, camera brackets. 3U internal rack and mobile caster base.

Standard Features

- Accommodates 40"-80" displays (160 lbs max and 800mm x 440mm spacing)
- Adjustable TV and camera brackets (during setup)
- Large handles for ease of movement
- Front shelf for media player or laptop
- Large cable storage grommet
- Mobile base with 4" non-marking casters
- Made with furniture grade laminates. Standard color is black)
- Wiring channel inside main pillar
- Includes 3U mounted codec basket, 1U rear jack panel, electronics shelf and a 6 outlet power bar with 10 ft. cord mounted inside
- Base is weighted
- Quiet cooling fan

Options

- **PB** Six outlet power bar with 10 ft. cord
- **SBB** Sound bar bracket
- **BKT-C20** C20 Codec bracket
- **BKT-SX20** SX20 Codec bracket
- **CBB-TV** Under TV camera bracket (26" - 80" TV's)
- **BKT-ST60** Cisco SpeakerTrack60 Camera bracket
- **PM2-ARM** Side mounting camera bracket
- **SH-TP-B** 3/4" Black thermal wrap finish front shelf
- **RR3** Additional 3U rack rails



Specifications

Model: TP1200-S
Width: 34-5/8"
Depth: 26-3/4"
Height: 70-3/4"

Finish*



* Standard finish is black but other finishes are available with a longer lead time. Please check website.

The information contained in this drawing is the sole property of Audio Visual Furniture International. Any reproduction in part or as a whole without the written permission of Audio Visual Furniture International is prohibited. We can build or modify stock configurations to suit customer specifications. Please contact us to discuss how this service can help meet your needs. Some quantity restrictions may apply. Specification subject to change without notice. Computers, cameras, monitors, etc. are shown to illustrate product usage and are not included unless otherwise noted.