



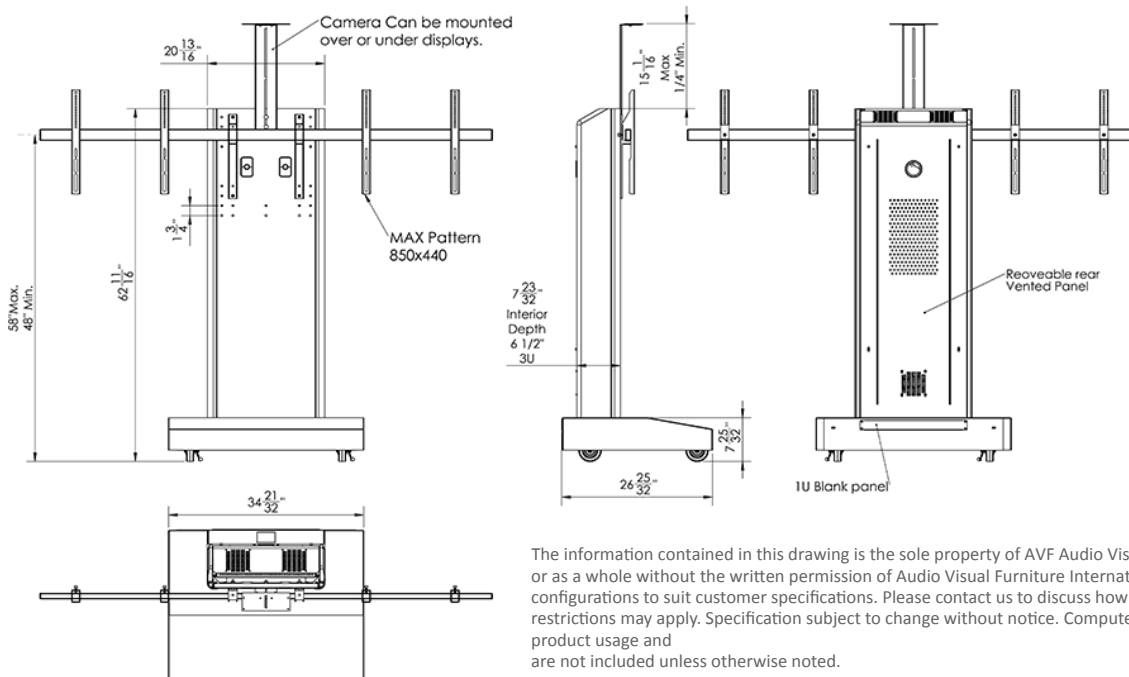
The **TP1000-D** mobile telepresence stand for dual monitors provides a clean modern look for a wide range of video conferencing and flat panel display applications. It features a self supporting frame with built in 3U rack unit with basket engineered for all common video conference codecs and accessories. It also includes 4" casters for positioning after setup.

### Standard Features

- Accommodates 32" - 70" displays (160 lbs max total)
- Made with furniture grade laminates. Standard color is black)
- Adjustable TV bracket height during setup
- Adjustable camera mount for mounting above or below TV
- Includes 3U mounted codec basket, 1U rear jack panel, electronics shelf and a 6 outlet power bar with 10 ft. cord mounted inside
- Base is weighted
- Quiet cooling fan
- 4" heavy duty casters (2 locking)

### Options

- **PB** Six outlet power bar with 10 ft. cord
- **SBB** Sound bar bracket
- **PM2-ARM** Side mounting camera bracket
- **CBB-TV** Under TV camera bracket (26" - 80" TV's)
- **PM2-CCM** Center camera mount for dual displays
- **BKT-ST60** Cisco SpeakerTrack60 Camera bracket
- **BKT-C20** C20 Codec bracket
- **BKT-SX20** SX20 Codec bracket
- **SH-TP-B** 3/4" Black thermal wrap finish front shelf
- **RR3** Additional 3U rack rails



### Specifications

**Model:** TP1000-D  
**Width:** TV width x2  
**Depth:** 26 3/4"  
**Height:** 62 3/4"

### Finish\*



\* Standard finish is black but other finishes are available with a longer lead time. Please check website.

The information contained in this drawing is the sole property of AVF Audio Visual Furniture International. Any reproduction in part or as a whole without the written permission of Audio Visual Furniture International is prohibited. AVF can build or modify stock configurations to suit customer specifications. Please contact us to discuss how this service can help meet your needs. Some quantity restrictions may apply. Specification subject to change without notice. Computers, cameras, monitors, etc. are shown to illustrate product usage and are not included unless otherwise noted.