



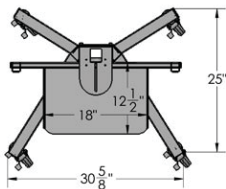
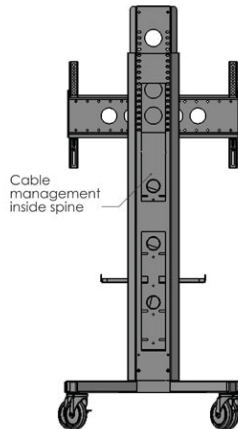
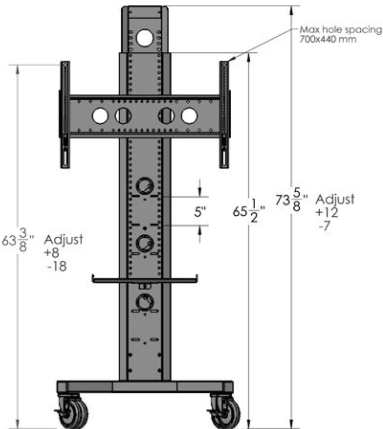
The **PM-S-FL** mount for single monitors is a self supporting, wheeled stand with adjustable 6 position shelf for your electronics. This mount accommodates 40" - 65" displays (220 lbs max)

Standard Features

- Accommodates 40" - 65" displays (220 lbs max)
- Sturdy 11 Ga steel construction
- Base is heavy duty steel tube construction
- Scratch resistant powder coat finish
- 5" metal casters with ballbearings, non-marking wheels and dustguards, 2 are locking
- Wiring channel inside main pillar
- Adjustable height camera mount during setup
- Adjustable TV bracket height during setup
- Includes one shelf 18" W x 11.5" D

Options

- **LB3** Lockbox for codecs/electronics
- **PM-CMP** Camera mounting plate (Required with *EagleEye™)
- **PM-CAM** For mounting camera below TV
- **PM-HDCB** HD Codec bracket
- **PM-HD-EXP** LifeSize® Express™ 200/220 bracket
- **PM-PB** Mounted six outlet power bar with 10 ft. cord
- **SBB** Sound bar bracket
- **PM-2RU** 2U bracket
- **CBB-TV** Under TV camera bracket (26" - 80" TV's)
- **BKT-ST60** Cisco SpeakerTrack60 Camera bracket
- **BKT-C20** C20 codec bracket
- **BKT-SX20** SX20 Codec bracket
- **SYZ3** Laptop shelf
- **SH-PM** Additional shelves (up to 6 total)
- **PM-BKT-S** Additional TV bracket for additional TV on rear
- **PM-HANDLE** Grab handles
- **PM-DSH** Work surface with side handles
- **FEET** Adjustable height feet for non-mobile installs



Specifications

Model: PM-S-FL
Width: 30-7/8"
Depth: 26-1/4"
Height: 65"+

Colors



The information contained in this drawing is the sole property of Audio Visual Furniture International. Any reproduction in part or as a whole without the written permission of Audio Visual Furniture International is prohibited. We can build or modify stock configurations to suit customer specifications. Please contact us to discuss how this service can help meet your needs. Some quantity restrictions may apply. Specification subject to change without notice. Computers, cameras, monitors, etc. are shown to illustrate product usage and are not included unless otherwise noted. *Polycom® and EagleEye™ are registered trademarks of Polycom of Pleasanton, California